



GN086-12-SBH

AP2T17MM

RV001WR

**Includes:**

- 1 - RoadVise® Smartphone Holder Kit (RV001WR)
- 1 - Aluminum Mounting Pedestal with 12" Gooseneck (GN086-12-SBH)
- 1 - Dual T-Slot to 17mm Ball Adapter (AP2T17MM)

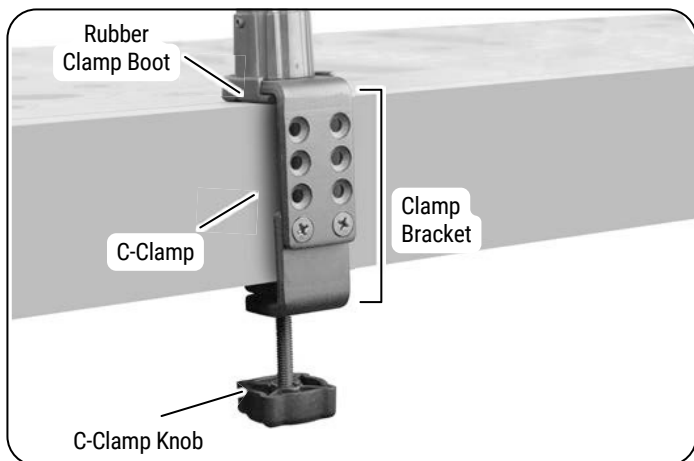
Optional - (1) Rubber Clamp Boot

Clamp opening: 0" - 3" (0mm - 76mm)

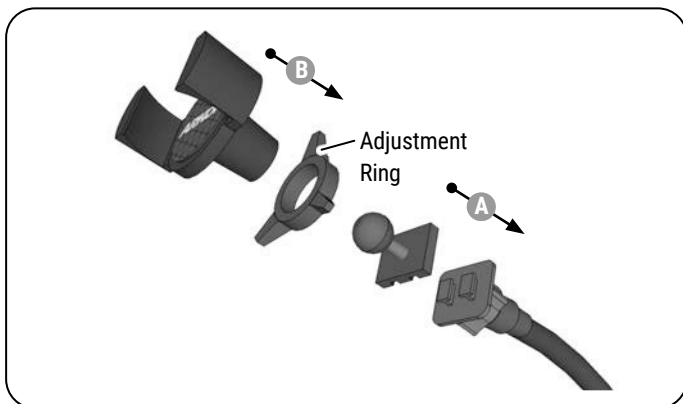
**Note:** Avoid over-tightening the ring as it may harm the threads on the holder and make adjusting the holder more challenging.

**Compatibility:** This holder is suitable for smartphones with cases weighing up to 2lbs and measuring up to 4" wide.

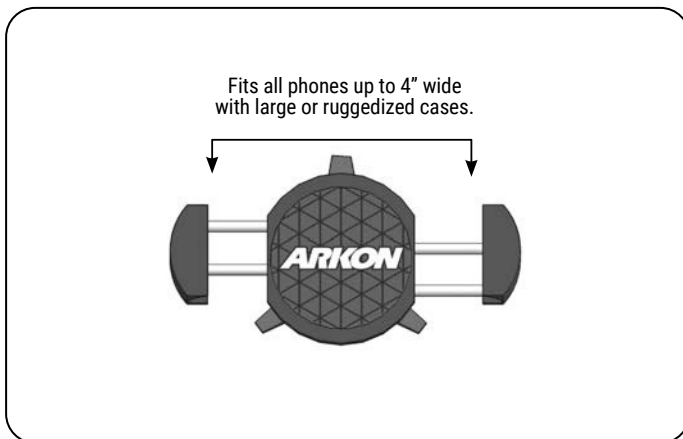
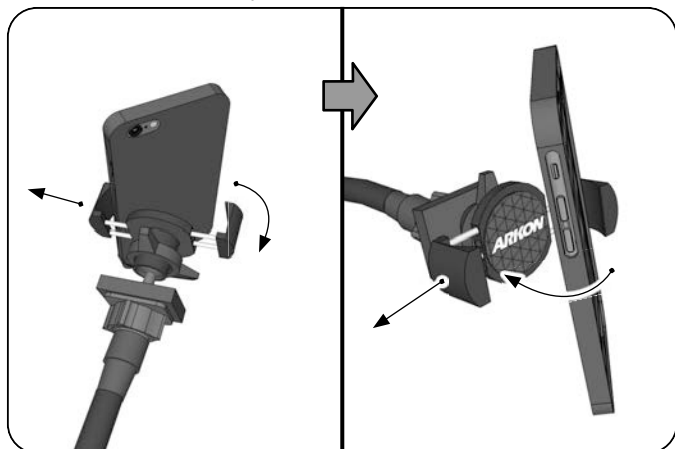
- 1** Attach the pedestal clamp by turning the C-clamp knob. Use a Phillips screwdriver to adjust the clamp bracket position if needed.



- 2** (A) Attach the Dual T-Slot Ball Adapter to the SBH Head on the mount. (B) Slide the adjustment ring over the 17mm end of the ball adapter, then attach the RoadVise Universal Smartphone holder onto the adapter. Adjust it to your preferred position and secure it by tightening the ring.



- 3** Using two hands, insert phone into the holder by pushing the device into one of the spring-loaded legs. Expand the other leg and fully insert device until it lays flat against the blue rubber pad. Rotate or adjust angle as needed.



**WARNING**

CHOKING HAZARD - Keep out of reach from children under 8 yrs. as they can choke or suffocate on parts included with this system

**WARNING**

Arkon® is not responsible for any damages caused to your device or yourself due to the installation or use of this mount. Do not install Arkon® products near areas that interfere with operation of vehicles. Arkon® assumes no responsibility or liability for injury or death as a result of failure to install in a safe location. Arkon® is not responsible for any damages caused to vehicles, product, or people due to the installation or use of this product.

