



Package Contents:

- HD006** – 8" Heavy-Duty Aluminum Wall or Flat Surface Mounting Pedestal
- RV001WR** – RoadVise™ Universal Smartphone Holder
- SP20MM17** – 20mm Ball to 17mm Ball Adapter

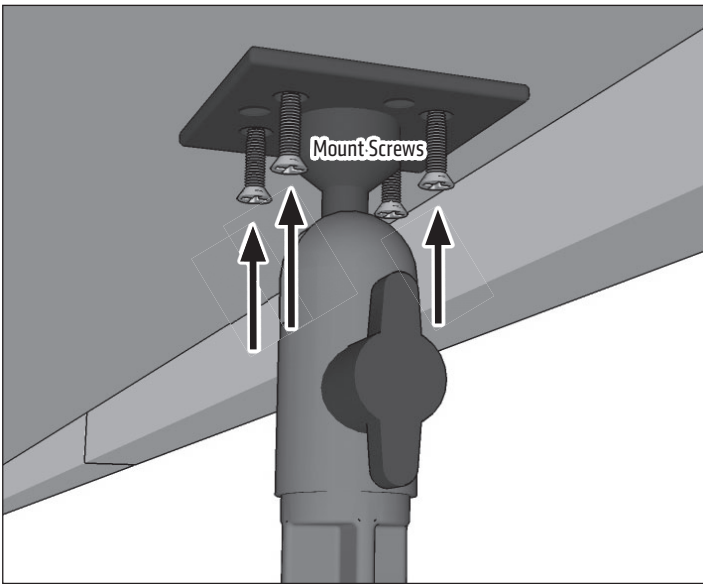
Compatibility:

Fits smartphones with cases weighing up to 2 pounds and measuring up to 4" wide.

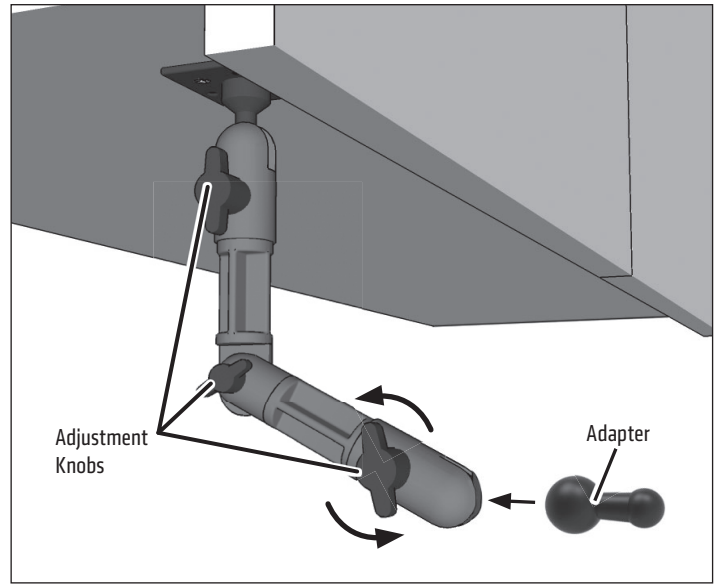


Warning: Drilling into dash, floor, or console will permanently damage the vehicle. Use caution and consult a mobile install professional to avoid drilling into the gas tank, electrical system or other highly sensitive vehicle components.

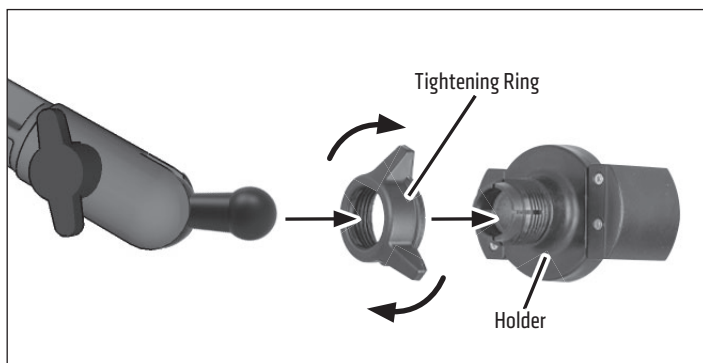
- 1 Use included screws to secure mount to mounting surface. Use anchors if necessary.



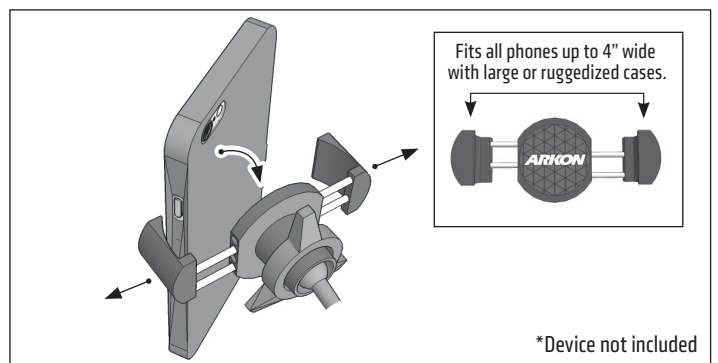
- 2 Adjust mount to desired position via the adjustment knobs. Loosen bottom adjustment knob to attach adapter.



- 3 Place tightening ring over the adapter and snap the holder onto the pedestal. Tighten ring to secure.



- 4 Using two hands, insert the phone into the holder by pushing the device into one of the spring-loaded arms. Expand the other arm and fully insert device until it lays flat against the blue rubber pad.



Safety Precautions

Do not install Arkon products over an airbag cover or within the airbag deployment zone. Arkon Resources, Inc. assumes no responsibility of liability for injury or death as a result of car crashes and / or airbag deployment.

Arkon is not responsible for any damages caused to your vehicle, your device, or yourself due to the installation or use of this mount.

ARKON MOUNTS

Consumer Hotline:

USA (800) 841-0884
INT'L (626) 254-9005
 Monday - Friday 9 am - 5 pm, PST

www.arkon.com

Arcadia, CA 91006 USA

Designed in USA | Made in Taiwan and USA

© Copyright 2021 Arkon Resources, Inc.