

## Includes:

- 1 - RoadVise® Ultra Holder Kit (RVKNAMPS)
- 1 - Multi-Angle Mounting Pedestal (HD006NHB)
- 1 - RoadVise® Clamp Mount with 20mm Ball (CPM20)

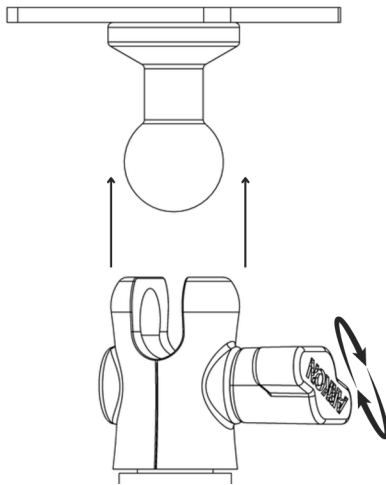
**Important:** Clean the application surface and make sure it is free of dirt, dust, and grease before installation.

**Compatibility:** This holder is suitable for smartphones with cases measuring up to 5.71" wide.

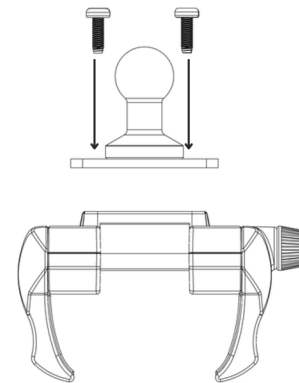
**Please note the RVKNAMPS hardware specifications:**

- 4 - M4 x 12mm Screws
- 2 - 3M Adhesive Strips
- 2 - Foam Pads

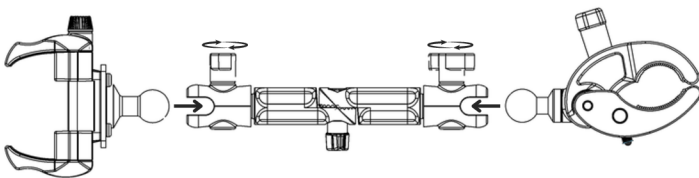
- 1 Modifying the pedestal**  
Remove the AMPS adapter from the pedestal by turning the knob counterclockwise.



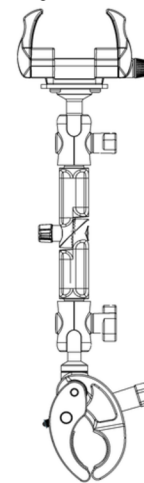
- 2 Install the AMPS adapter plate to the device holder**  
Align the AMPS adapter on the back of the device holder. Then, insert the four mounting screws through the AMPS 4-hole ball adapter plate and into the holder. Finally, secure the screws tightly.



- 3 Assemble the components**  
Turn each knob at each end counterclockwise to loosen them. Next, attach the 20mm ball adapters to both ends. Finally, tighten the knobs to secure everything in place.



- 4 Fully Assembled**  
Refer to the image below for the full assembled product.



**WARNING**

CHOKING HAZARD - Keep out of reach from children under 8 yrs. as they can choke or suffocate on parts included with this system

**WARNING**

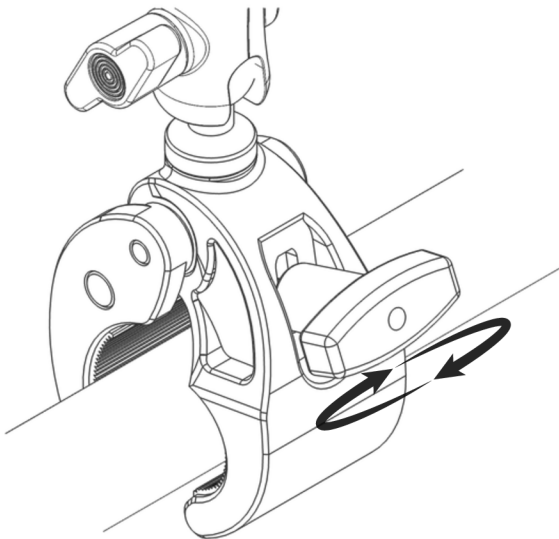
Arkon® is not responsible for any damages caused to your device or yourself due to the installation or use of this mount. Do not install Arkon® products near areas that interfere with operation of vehicles. Arkon® assumes no responsibility or liability for injury or death as a result of failure to install in a safe location. Arkon® is not responsible for any damages caused to vehicles, product, or people due to the installation or use of this product.

Continued on page 2



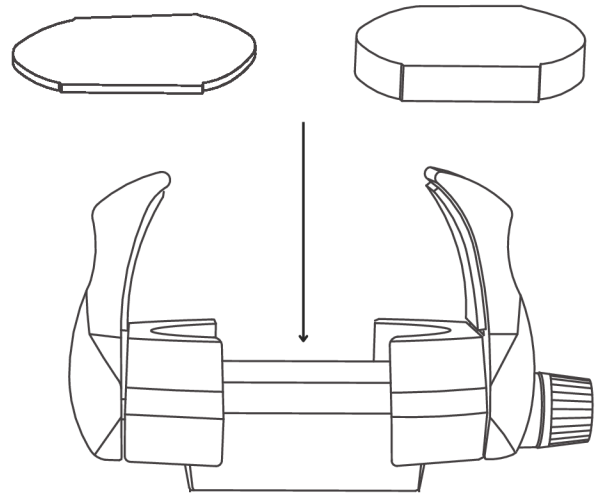
## 5 Adjusting the Clamp Mount

To widen the clamp arms to the desired width, turn the knob counterclockwise. Attach to your desired surface and then tighten the knob clockwise to secure in place.



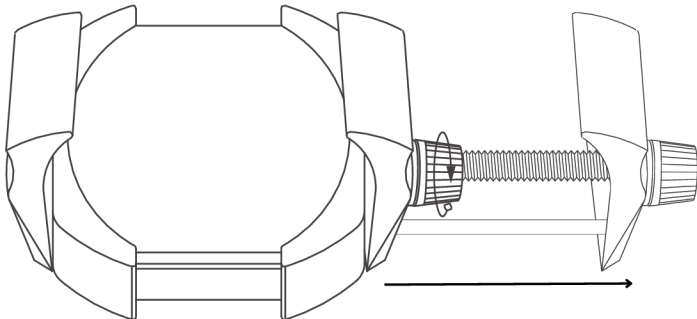
## 6 Install the foam paddings or adhesive strips

For non-MagSafe chargers, use the included foam paddings for a secure fit in the holder. For MagSafe chargers, apply the adhesive strips on the sides of charger for a secure hold.



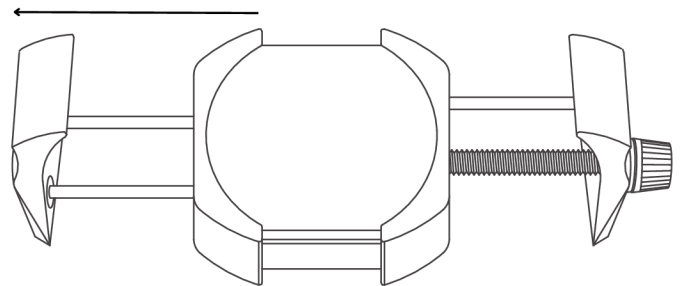
## 7 Adjust the RoadVise® Ultra holder

To extend the holder for larger devices, turn the center knob on the holder. This will lock the non-spring loaded arm in a secure position to support your device.



## 8 Install your device into the phone holder

Expand the spring-loaded arm as you insert your smartphone.



### WARNING

CHOKING HAZARD - Keep out of reach from children under 8 yrs. as they can choke or suffocate on parts included with this system

### WARNING

Arkon® is not responsible for any damages caused to your device or yourself due to the installation or use of this mount. Do not install Arkon® products near areas that interfere with operation of vehicles. Arkon® assumes no responsibility or liability for injury or death as a result of failure to install in a safe location. Arkon® is not responsible for any damages caused to vehicles, product, or people due to the installation or use of this product.

