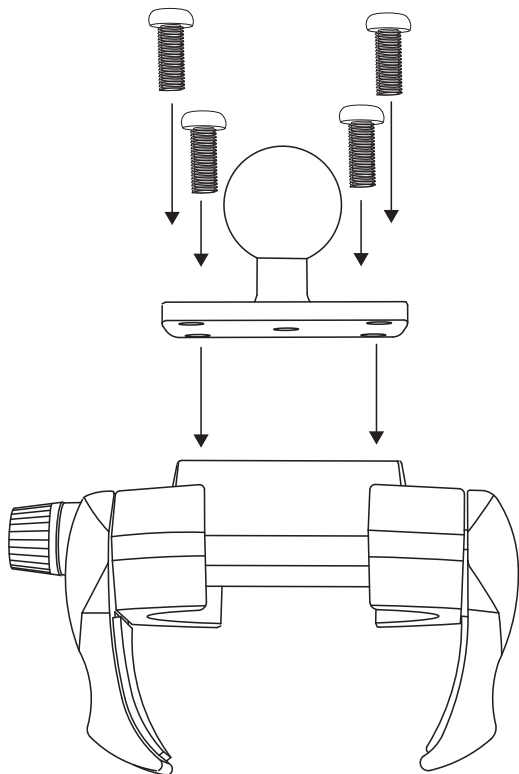


Includes:

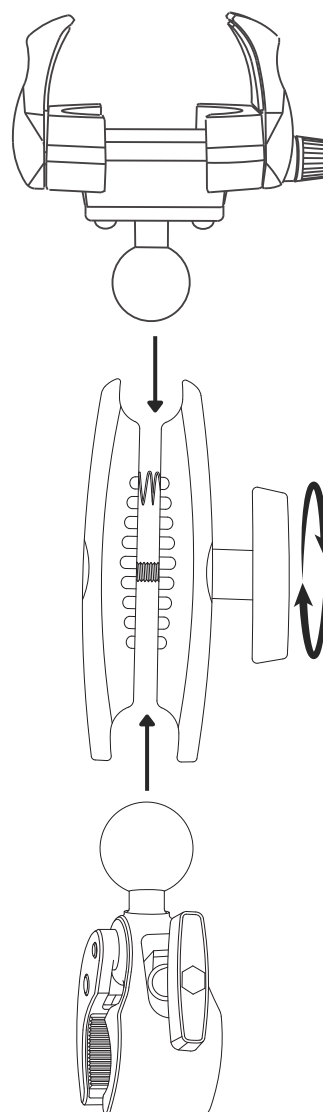
- 1 – RoadVise® Ultra Phone Holder Kit (RVKNAMPS)
- 1 – Metal 4-Hole AMPS to 38mm Ball Adapter (APMAMPS38MM)
- 1 – Robust™ Series 5.75 inch Shaft Arm (SPRM3850B)
- 1 – Robust™ Clamp Mount with 38mm Ball (CPM38B)

Compatibility: This holder is suitable for smartphones with cases measuring up to 5.71" wide.

1 Install the AMPS Adapter Plate to the phone holder
 Locate the packaging with the AMPS ball adapter plate and the phone holder. Then, insert the four mounting screws through the AMPS 4-hole ball adapter plate and into the phone holder. Finally, secure the screws tightly.



2 Assemble the components
 Turn the shaft arm counterclockwise to loosen it. Next, attach the 38mm ball adapters to both ends. Finally, tighten the shaft to secure everything in place.



WARNING

CHOKING HAZARD - Keep out of reach from children under 8 yrs. as they can choke or suffocate on parts included with this system

WARNING

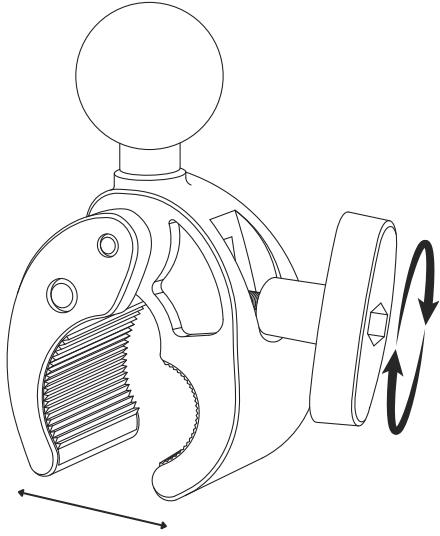
Arkon® is not responsible for any damages caused to your device or yourself due to the installation or use of this mount. Do not install Arkon® products near areas that interfere with operation of vehicles. Arkon® assumes no responsibility or liability for injury or death as a result of failure to install in a safe location. Arkon® is not responsible for any damages caused to vehicles, product, or people due to the installation or use of this product.

Continued on page 2



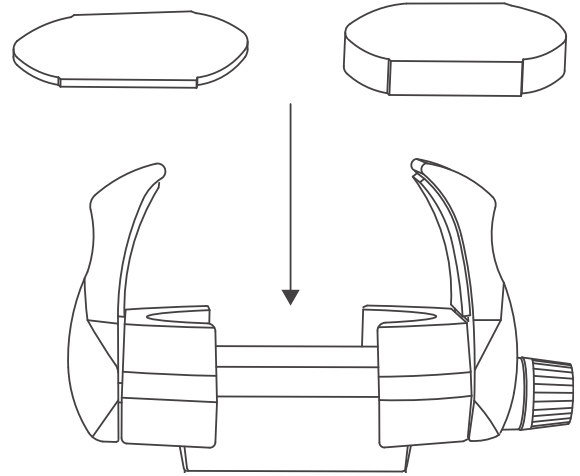
3 Adjusting the Clamp Mount

To widen the clamp arms to the desired width, turn the knob counterclockwise. Attach to your desired surface and then tighten the knob clockwise to secure in place.



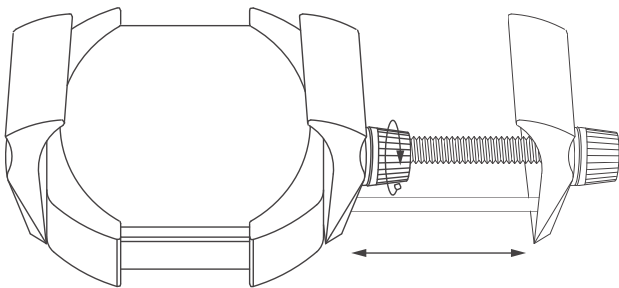
4 Install the foam paddings or adhesive strips

For non-MagSafe chargers, use the included foam paddings for a secure fit in the holder. For MagSafe chargers, apply the adhesive strips on the sides of charger for a secure hold.



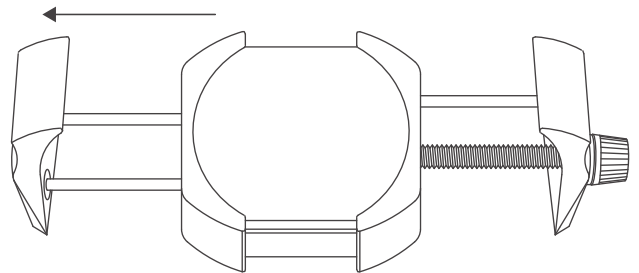
5 Adjust the RoadVise® Ultra phone holder

To extend the phone holder for larger devices, turn the center knob on the holder. This will lock the non-spring loaded arm in a secure position to support your device.



6 Install your device into the phone holder

Expand the spring-loaded arm as you insert your smartphone.



WARNING

CHOKING HAZARD - Keep out of reach from children under 8 yrs. as they can choke or suffocate on parts included with this system

WARNING

Arkon® is not responsible for any damages caused to your device or yourself due to the installation or use of this mount. Do not install Arkon® products near areas that interfere with operation of vehicles. Arkon® assumes no responsibility or liability for injury or death as a result of failure to install in a safe location. Arkon® is not responsible for any damages caused to vehicles, product, or people due to the installation or use of this product.

