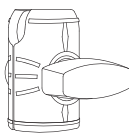
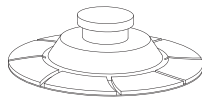


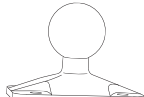
**RVKNAMPS**



**SPRM8SKT**



**SPRM8VHB**



**APAMPS25MM**

**Includes:**

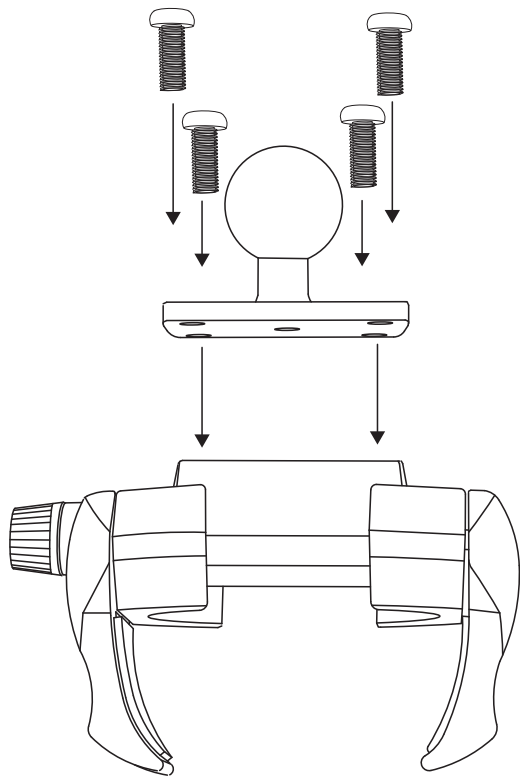
- 1 – RoadVise® Ultra Phone Holder Kit (RVKNAMPS)
- 1 – 4-Hole AMPS to 25mm Ball Adapter (APAMPS25MM)
- 1 – OCTO™ Series Single Ball Arm with Octagon Button Socket (SPRM8SKT)
- 1 – OCTO™ Series Adhesive Base to Octagon Button Adapter (SPRM8VHB)

**Compatibility:** This holder is suitable for smartphones with cases measuring up to 5.71" wide.

**1**

**Install the AMPS Adapter Plate to the phone holder**

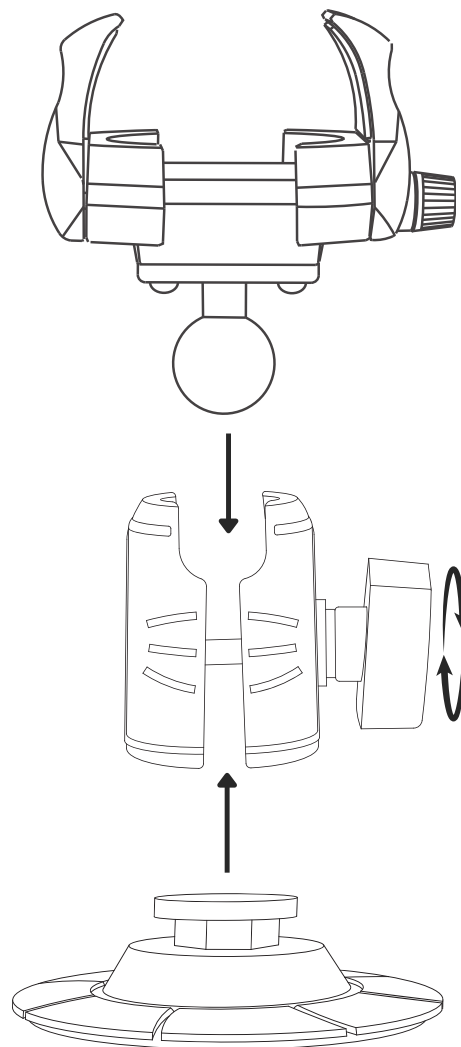
Locate the packaging with the AMPS ball adapter plate and the phone holder. Then, insert the four mounting screws through the AMPS 4-hole ball adapter plate and into the phone holder. Finally, secure the screws tightly.



**2**

**Assemble the components**

Turn the shaft arm counterclockwise to loosen it. Then, connect the 25mm ball adapter to one end and the button pattern to the other end. Lastly, tighten the shaft to ensure everything is securely in position.



**WARNING**

CHOKING HAZARD - Keep out of reach from children under 8 yrs. as they can choke or suffocate on parts included with this system

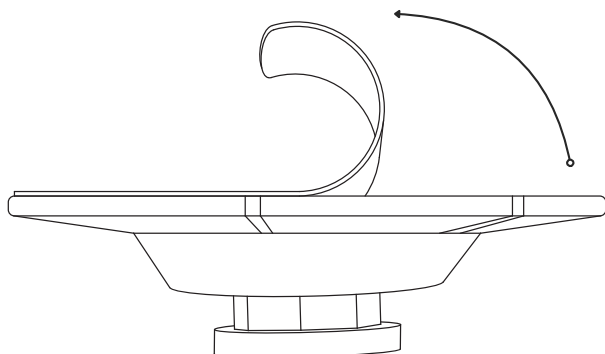
**WARNING**

Arkon® is not responsible for any damages caused to your device or yourself due to the installation or use of this mount. Do not install Arkon® products near areas that interfere with operation of vehicles. Arkon® assumes no responsibility or liability for injury or death as a result of failure to install in a safe location. Arkon® is not responsible for any damages caused to vehicles, product, or people due to the installation or use of this product.

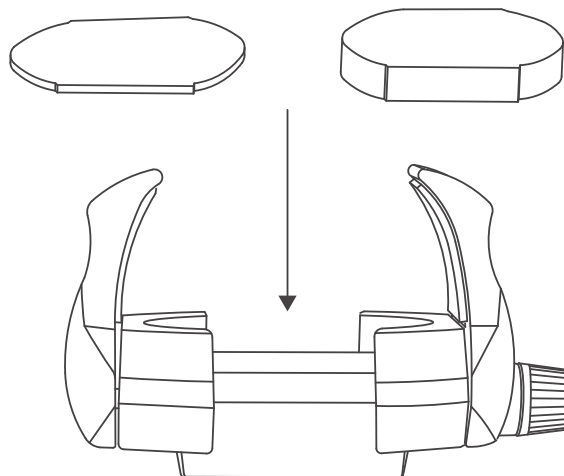
**Continued on page 2**



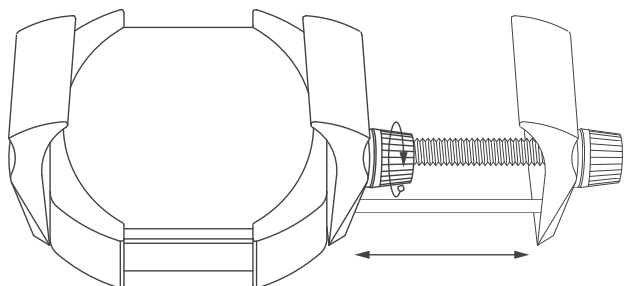
- 3 Apply the adhesive base**  
 Carefully peel off the red protective film from the mounting base without harming the adhesive. Then, the mounting base is now prepared to be securely affixed to the surface.



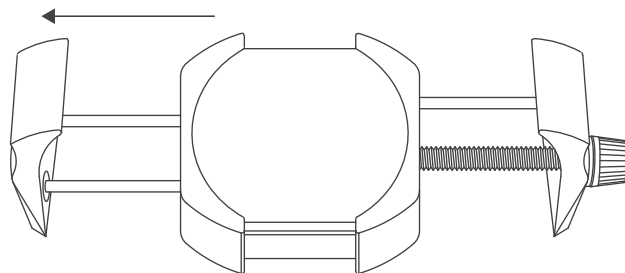
- 4 Install the foam paddings or adhesive strips**  
 For non-MagSafe chargers, use the included foam paddings for a secure fit in the holder. For MagSafe chargers, apply the adhesive strips on the sides of charger for a secure hold.



- 5 Adjust the RoadVise® Ultra phone holder**  
 To extend the phone holder for larger devices, turn the center knob on the holder. This will lock the non-spring loaded arm in a secure position to support your device.



- 6 Install your device into the phone holder**  
 Expand the spring-loaded arm as you insert your smartphone.



**WARNING**  
 CHOKING HAZARD - Keep out of reach from children under 8 yrs. as they can choke or suffocate on parts included with this system

**WARNING**  
 Arkon® is not responsible for any damages caused to your device or yourself due to the installation or use of this mount. Do not install Arkon® products near areas that interfere with operation of vehicles. Arkon® assumes no responsibility or liability for injury or death as a result of failure to install in a safe location. Arkon® is not responsible for any damages caused to vehicles product, or people due to the installation or use of this product.

