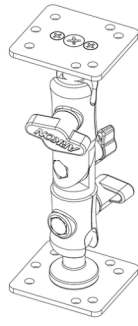
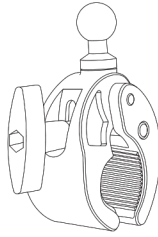


RVKNAMPS



HD010AMPS



CPM20B

Includes:

- 1 – RoadVise® Ultra Phone and Tablet Holder Kit (RVKNAMPS)
- 1 – Multi-Angle AMPS Drill-Base Mounting Pedestal (HD010AMPS)
- 1 – RoadVise® Clamp Mount with 20mm Ball (CPM20B)

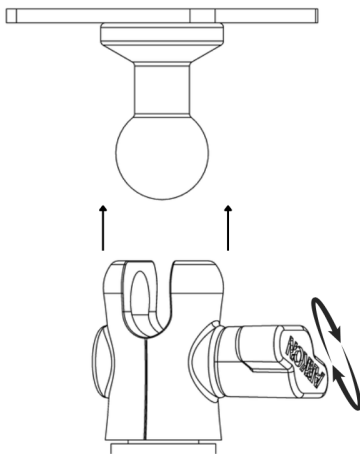
Important: Clean the application surface and make sure it is free of dirt, dust, and grease before installation.

Please note that the HD010AMPS package includes an extra AMPS adapter and hardware package for a drilling base option.

- 1 - 20mm to 4-Hole AMPS Adapter Plate (AP20MMAL)
- 4 - Philips M4 coarse 22mm
- 4 - Philips M4 coarse 26mm
- 4 - M4 Drill wall anchors 26mm

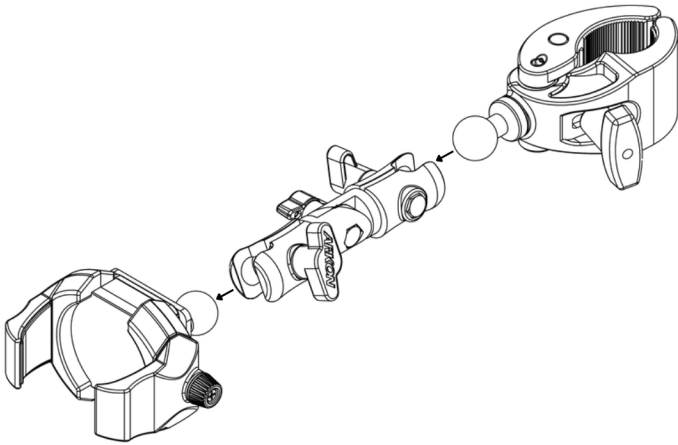
1 Modifying the Pedestal

Remove one of the AMPS adapters from the pedestal by turning the knob counterclockwise.



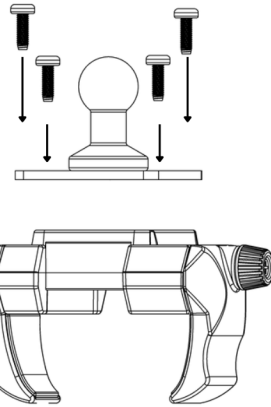
3 Assemble all components

Remove the other AMPS adapter plate from the mounting pedestal. Then, connect the 20mm ball from the clamp and the phone holder. Lastly, fasten the knob to ensure everything is securely in position.



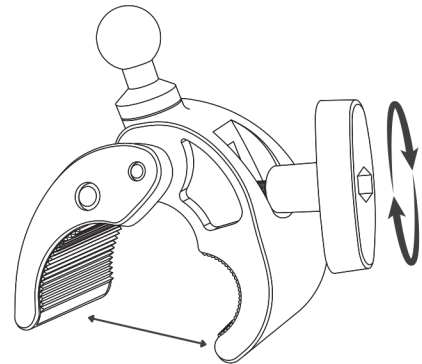
2 Install the AMPS Adapter Plate to the phone holder

Align the AMPS adapter on the back of the phone holder. Then, insert the four mounting screws through the AMPS 4-hole ball adapter plate and into the phone holder. Finally, secure the screws tightly.



4 Adjusting the Clamp Mount

To widen the clamp arms to the desired width, turn the knob counterclockwise. Attach to your desired surface and then tighten the knob clockwise to secure in place.



WARNING

CHOKING HAZARD - Keep out of reach from children under 8 yrs. as they can choke or suffocate on parts included with this system

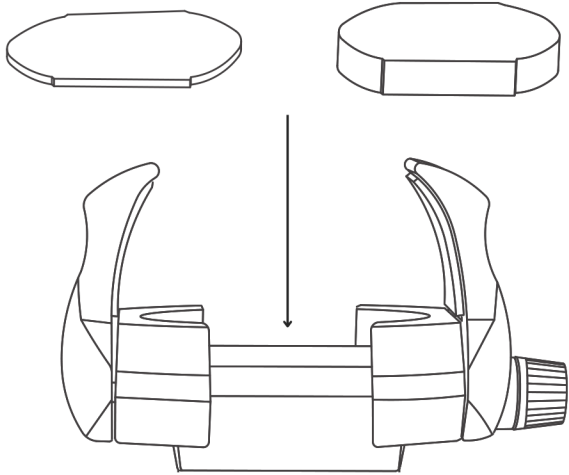
WARNING

Arkon® is not responsible for any damages caused to your device or yourself due to the installation or use of this mount. Do not install Arkon® products near areas that interfere with operation of vehicles. Arkon® assumes no responsibility or liability for injury or death as a result of failure to install in a safe location. Arkon® is not responsible for any damages caused to vehicles, product, or people due to the installation or use of this product.

Continued on page 2

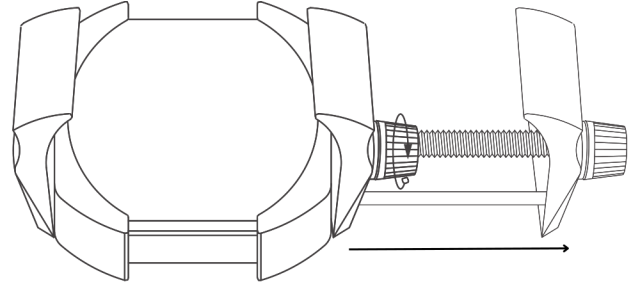
5 Install the foam paddings or adhesive strips

For non-MagSafe chargers, use the included foam paddings for a secure fit in the holder. For MagSafe chargers, apply the adhesive strips on the sides of charger for a secure hold.



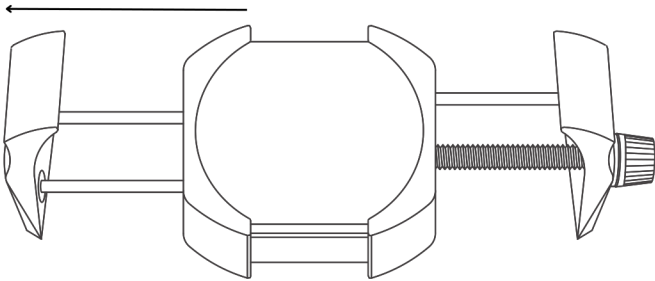
6 Adjust the RoadVise® Ultra holder

To extend the holder for larger devices, turn the center knob on the holder. This will lock the non-spring loaded arm in a secure position to support your device.



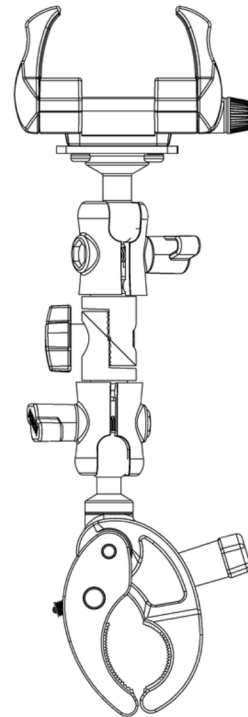
7 Install your device into the phone holder

Expand the spring-loaded arm as you insert your smartphone.



8 Fully Assembled

Refer to the image below for the full assembled product.



WARNING

CHOKING HAZARD - Keep out of reach from children under 8 yrs. as they can choke or suffocate on parts included with this system

WARNING

Arkon® is not responsible for any damages caused to your device or yourself due to the installation or use of this mount. Do not install Arkon® products near areas that interfere with operation of vehicles. Arkon® assumes no responsibility or liability for injury or death as a result of failure to install in a safe location. Arkon® is not responsible for any damages caused to vehicles, product, or people due to the installation or use of this product.

