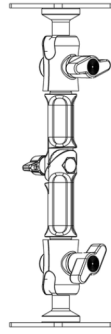


RVKNAMPS



HD006AMPSNLB

Includes:

- 1 - RoadVise® Ultra Phone and Tablet Holder Kit (RVKNAMPS)
- 1 - Drill-Base Mounting Pedestal with Hardware (HD006AMPSNLB)

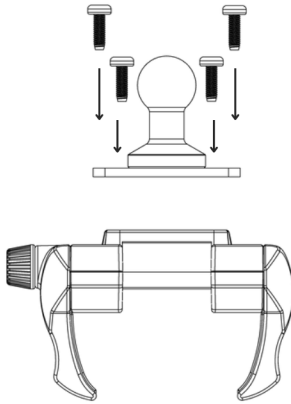
Compatibility: This holder is suitable for smartphones with cases measuring up to 5.71" wide.

Important: Clean the application surface and make sure it is free of dirt, dust, and grease before installation.

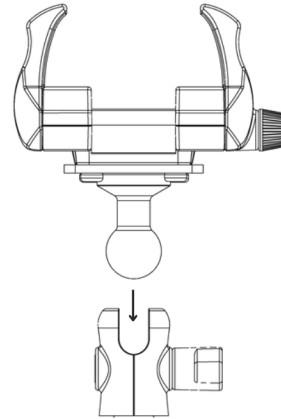
Please note the HD006AMPSNLB hardware specifications:

- 4 - Philips M4 coarse 22mm
- 4 - Philips M4 coarse 26mm
- 4 - M4 Drill wall anchors 26mm

1 Attach the AMPS adapter plate to the holder
 Unscrew one of the adapters from the mounting pedestal by turning the knob counterclockwise. Insert the four mounting screws through the AMPS 4-hole ball adapter plate and into the holder. Securely tighten the screws to complete the installation.

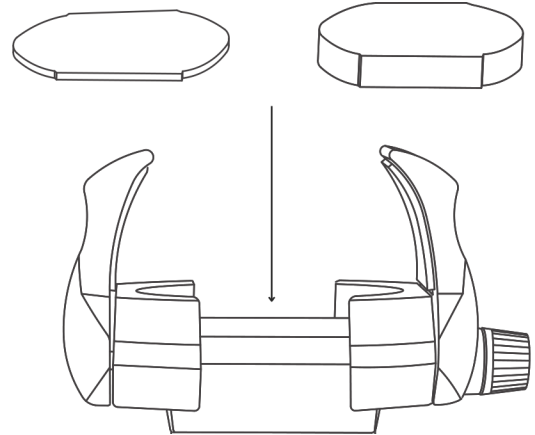
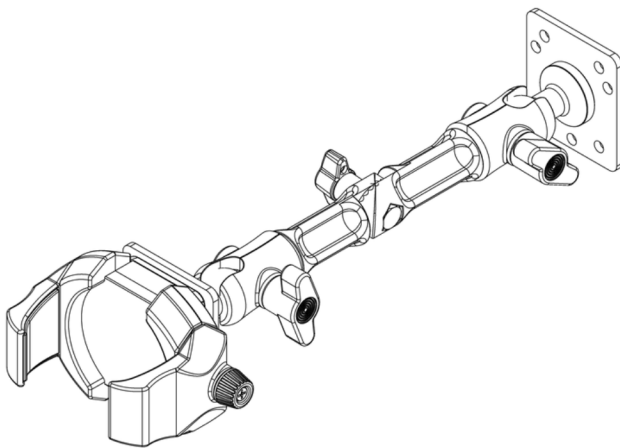


2 Assemble the components
 Turn the shaft knobs counterclockwise to loosen it. Next, attach the 20mm ball adapters to both ends. Finally, tighten the knobs to secure everything in place.



3 Fully Assembled
 Refer to the image below for the full assembled product.

4 Install the foam paddings or adhesive strips
 For non-MagSafe chargers, use the included foam paddings for a secure fit in the holder. For MagSafe chargers, apply the adhesive strips on the sides of charger for a secure hold.



WARNING

CHOKING HAZARD - Keep out of reach from children under 8 yrs. as they can choke or suffocate on parts included with this system

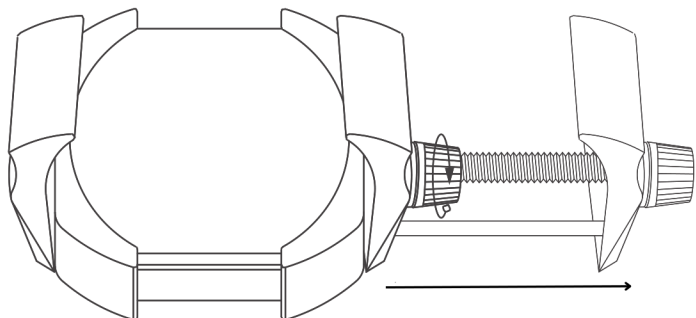
WARNING

Arkon® is not responsible for any damages caused to your device or yourself due to the installation or use of this mount. Do not install Arkon® products near areas that interfere with operation of vehicles. Arkon® assumes no responsibility or liability for injury or death as a result of failure to install in a safe location. Arkon® is not responsible for any damages caused to vehicles, product, or people due to the installation or use of this product.

Continued on page 2

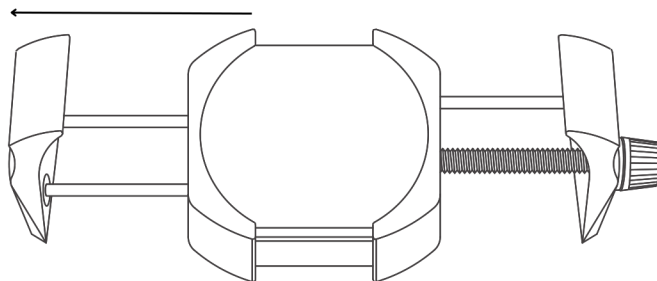
3 Adjust the device holder

To extend the holder for larger devices, turn the center knob on the holder. This will lock the non-spring loaded arm in a secure position to support your device.



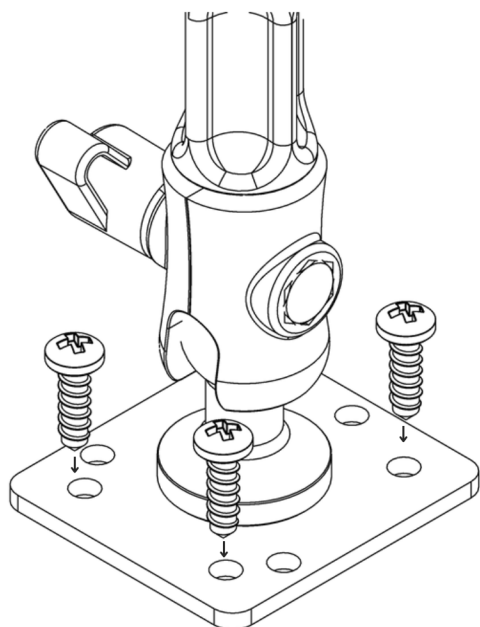
4 Install your device into the device holder

Expand the spring-loaded arm as you insert your smartphone.



5 Mount Installation

Utilize the hardware included with the pedestal to securely attach it to the mounting surface. If needed, employ anchors for added stability.



WARNING

CHOKING HAZARD - Keep out of reach from children under 8 yrs. as they can choke or suffocate on parts included with this system

WARNING

Arkon® is not responsible for any damages caused to your device or yourself due to the installation or use of this mount. Do not install Arkon® products near areas that interfere with operation of vehicles. Arkon® assumes no responsibility or liability for injury or death as a result of failure to install in a safe location. Arkon® is not responsible for any damages caused to vehicles, product, or people due to the installation or use of this product.

