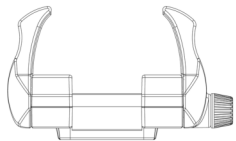
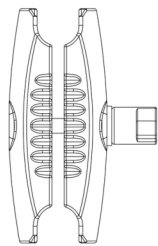


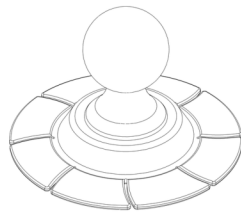
APAMPS25MM



RVKNAMPS



SP-RM250



SP-VHB25MM

Includes:

- 1 – RoadVise® Ultra Phone and Tablet Holder Kit (RVKNAMPS)
- 1 – 4-Hole AMPS to 25mm Ball Adapter (APAMPS25MM)
- 1 – Robust™ Series 3.75 inch Shaft Arm (SP-RM250)
- 1 – 70mm VHB Adhesive Base to 25mm Ball (SP-VHB25MM)

Compatibility: This holder is suitable for smartphones with cases measuring up to 5.71" wide.

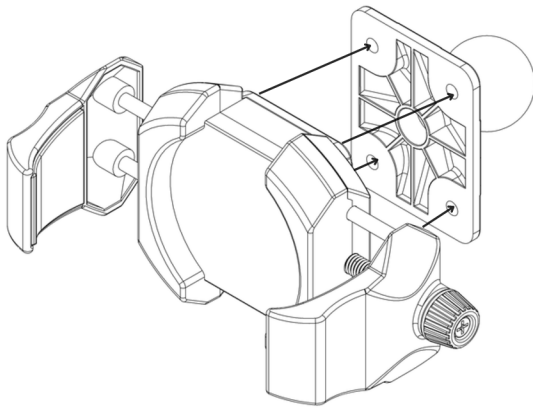
Important: Clean the application surface and make sure it is free of dirt, dust, and grease before installation.

Please note the RVKNAMPS hardware specifications:

- 4 - M4 x 12mm Screws
- 2 - 3M Adhesive Strips
- 2 - Foam Pads

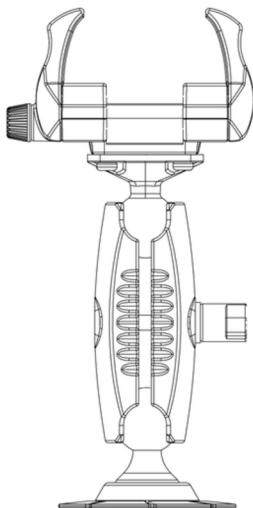
1 Attach the AMPS adapter plate to the holder

Align the AMPS adapter to the back of the phone holder. Insert the four mounting screws through the AMPS 4-hole ball adapter plate and into the holder. Securely tighten the screws to complete the installation.



3 Fully Assembled

Refer to the image below for the full assembled product.



WARNING

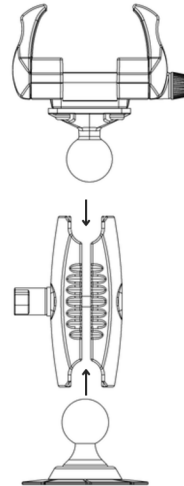
CHOKING HAZARD - Keep out of reach from children under 8 yrs. as they can choke or suffocate on parts included with this system

WARNING

Arkon® is not responsible for any damages caused to your device or yourself due to the installation or use of this mount. Do not install Arkon® products near areas that interfere with operation of vehicles. Arkon® assumes no responsibility or liability for injury or death as a result of failure to install in a safe location. Arkon® is not responsible for any damages caused to vehicles, product, or people due to the installation or use of this product.

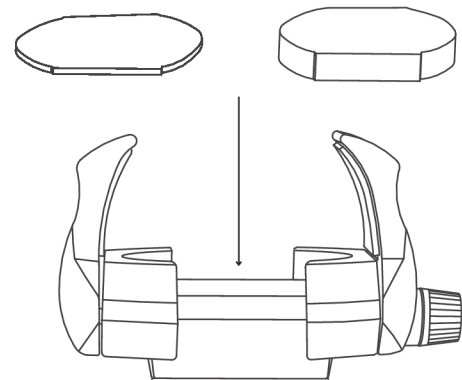
2 Assemble the components

Turn the shaft knob counterclockwise to loosen it. Next, attach the 25mm ball adapters to both ends. Finally, tighten the knob to secure everything in place.



4 Install the foam paddings or adhesive strips

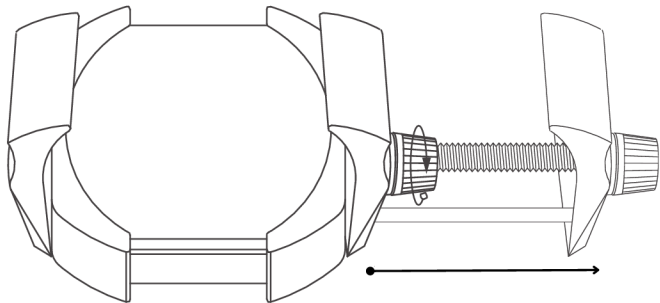
For non-MagSafe chargers, use the included foam paddings for a secure fit in the holder. For MagSafe chargers, apply the adhesive strips on the sides of charger for a secure hold.



Continued on page 2

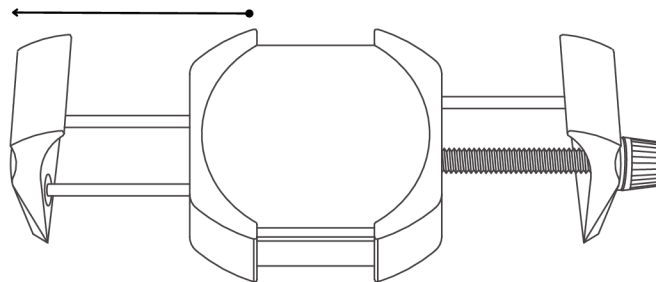
3 Adjust the device holder

To extend the holder for larger devices, turn the center knob on the holder. This will lock the non-spring loaded arm in a secure position to support your device.



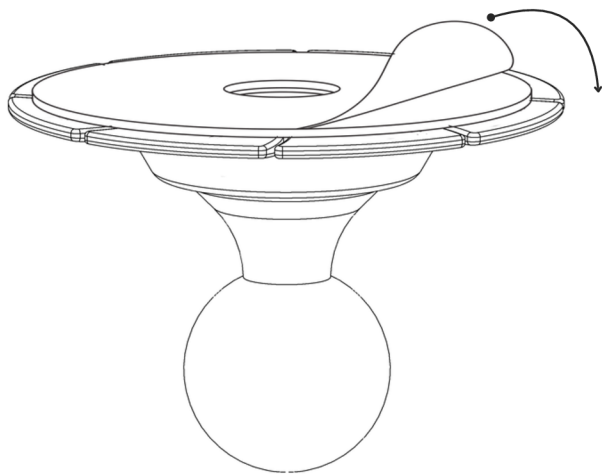
4 Install your device into the device holder

Expand the spring-loaded arm as you insert your smartphone.



5 Apply the adhesive base

Carefully peel off the red protective film from the mounting base without damaging the adhesive. Then, the mounting base is now prepared to be securely affixed to the surface.



WARNING

CHOKING HAZARD - Keep out of reach from children under 8 yrs. as they can choke or suffocate on parts included with this system

WARNING

Arkon® is not responsible for any damages caused to your device or yourself due to the installation or use of this mount. Do not install Arkon® products near areas that interfere with operation of vehicles. Arkon® assumes no responsibility or liability for injury or death as a result of failure to install in a safe location. Arkon® is not responsible for any damages caused to vehicles, product, or people due to the installation or use of this product.

