

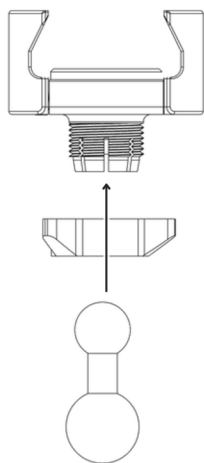
Includes:

- 1 - RoadVise® Holder with Tightening Ring (RV001WR)
- 1 - 25mm Ball to 17mm Ball Adapter (SP25MM17)
- 1 - Metal 4-Hole AMPS to 25mm Ball Adapter (APAMPS25MM)
- 1 - OCTO™ Series 4.25 inch Double Socket Shaft Arm (SPRMSWA)

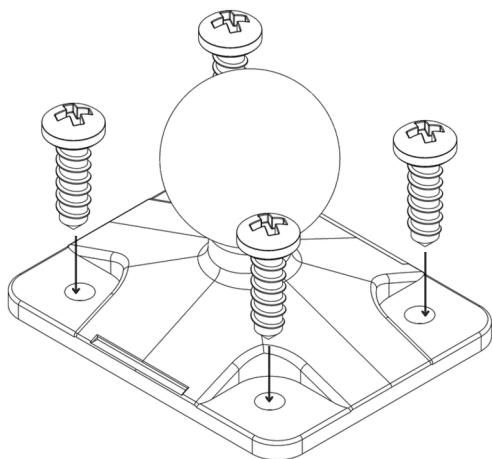
Please note that screws are not included.

Compatibility: This holder is suitable for smartphones and tablet with cases measuring up to 4" wide.

- 1 Attach the 17mm ball adapter to the device holder**
Unscrew the tightening ring from the holder in a counterclockwise direction. Slide the tightening ring over the 17mm ball and insert the ball into the back of the holder. Tighten the ring back to ensure a secure connection.



- 3 Mount Installation**
Securely attach the pedestal to a mounting surface using hardware (**not included**).



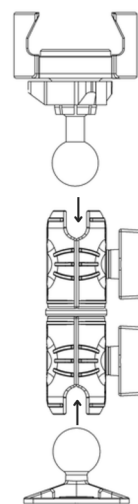
WARNING

CHOKING HAZARD - Keep out of reach from children under 8 yrs. as they can choke or suffocate on parts included with this system

WARNING

Arkon® is not responsible for any damages caused to your device or yourself due to the installation or use of this mount. Do not install Arkon® products near areas that interfere with operation of vehicles. Arkon® assumes no responsibility or liability for injury or death as a result of failure to install in a safe location. Arkon® is not responsible for any damages caused to vehicles, product, or people due to the installation or use of this product.

- 2 Assemble the components**
Turn both shaft knobs counterclockwise to loosen it. Next, attach the 25mm ball adapters to both ends. Finally, tighten the shaft to secure everything in place.



- 4 Install your device into the holder**
Place your device into the holder by pushing it into one of the spring-loaded arms. Expand the other arm to fully insert your device. Expand one arm, to remove device.

