



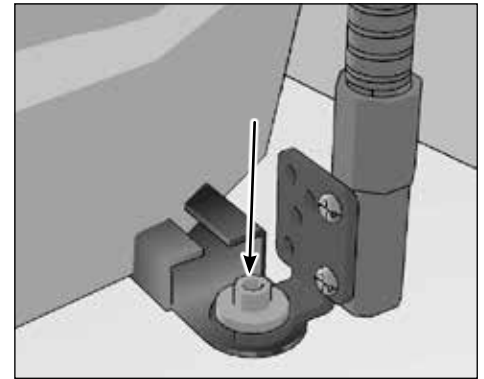
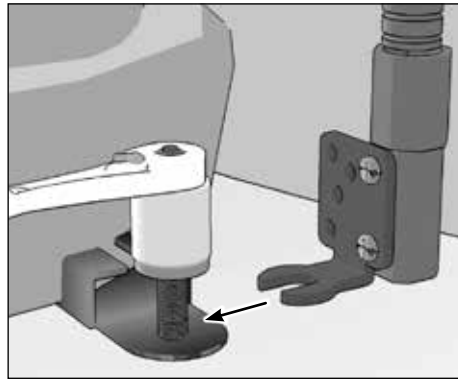
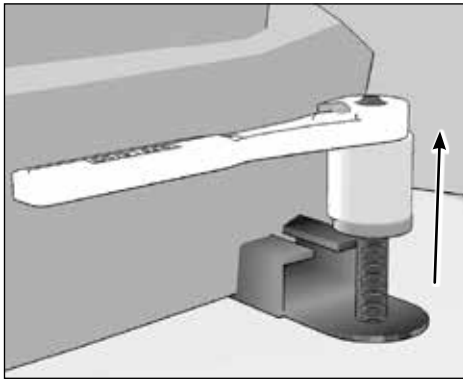
Package Contents:

- (1) RM08825MM – 18" 25mm Seat Rail or Floor Pedestal
- (1) SP-RM250 – Robust Mount Shaft
- (1) SP25MM17 – 25mm Ball to 17mm Ball Adapter
- (1) RVXLWR – RoadVise® XL Universal Phone Holder with Tightening Ring

IMPORTANT: Do not overtighten ring. Overtightening ring may damage threads on holder and also make it difficult to adjust holder.

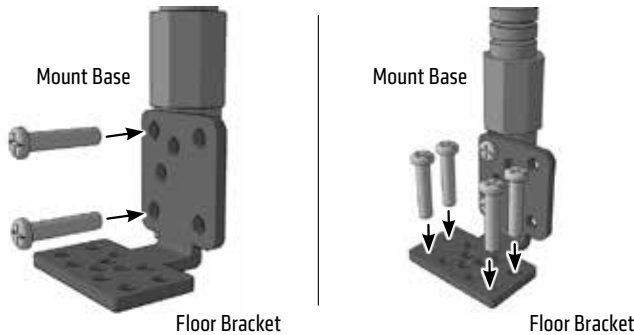
Passenger Seat Bolt Mounting - Option 1:

- 1 Use a socket wrench to loosen the passenger seat track bolt.
- 2 Insert the seat track bolt bracket.
- 3 Retighten the seat track bolt.

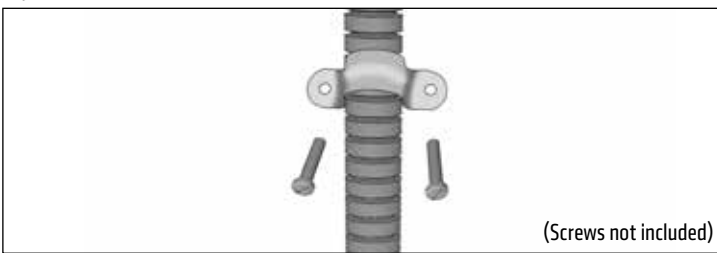


Floor Mounting - Option 2

Screw the floor bracket to the mount. (Depending on your vehicle, you may need to change the orientation of the bracket.) Attach the floor / console bracket with screws.

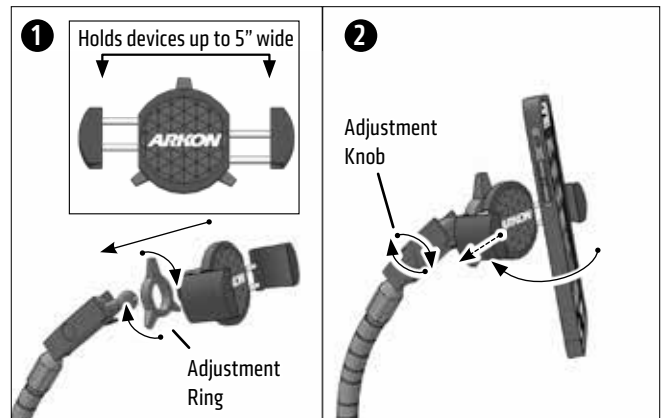


Optional: Attach included metal conduit to console to minimize vibration.



Using the RoadVise XL Universal Phone and Tablet Holder

Place adjustment ring over 17mm ball. Snap the RoadVise XL holder onto the pedestal and tighten adjustment ring to set position. Loosen adjustment knob to change position if needed. Using two hands, insert the device into the holder by pushing it into one of the spring-loaded legs. Expand the other leg and fully insert device until it lays flat against the gray rubber pad.



! Safety Precautions

Do not install Arkon products over an air bag cover or within the air bag deployment zone. Arkon Resources, Inc. assumes no responsibility of liability for injury or death as a result of car crashes and/or air bag deployment.

Arkon Resources, Inc. is not responsible for any damages caused to your vehicle, device or yourself due to the installation or use of this mount.

ARKON MOUNTS

Consumer Hotline:

USA (800) 841-0884

INT'L (626) 254-9005

Monday - Friday 9 am - 5 pm, PST

www.arkon.com

Arcadia, CA 91006 USA

Designed in USA | Made in Taiwan and USA

© Copyright 2018 Arkon Resources, Inc.