



GN032-SBH



SM040-2



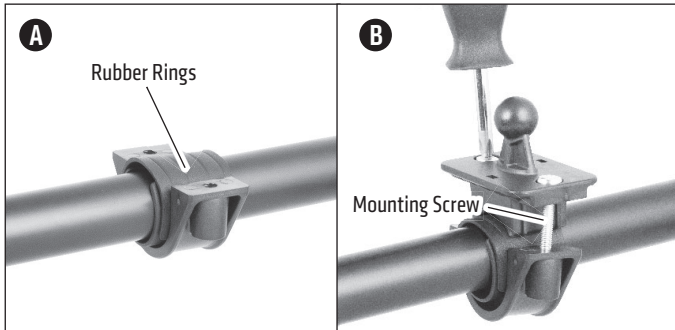
APSTRAPSL

Package Contents:

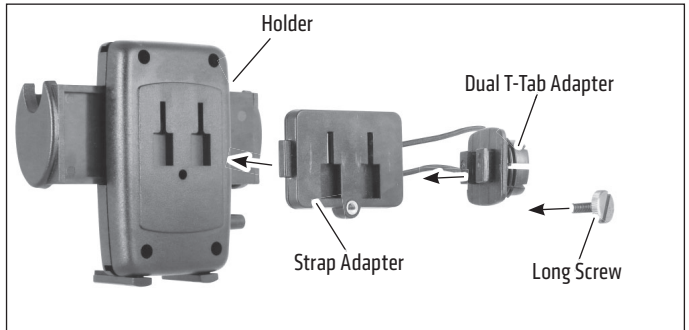
- (1) GN032-SBH – Bicycle Handlebar Mount
- (1) SM040-2 – Mega Grip Universal Phone Holder
- (1) APSTRAPSL – Safety Strap Adapter Plate with Set Screws

Note: Arkon strongly recommends using the APSTRAPSL bungee strap plate with LONG screw to provide extra protection for your device. Failure to do so may result in damage to your device.

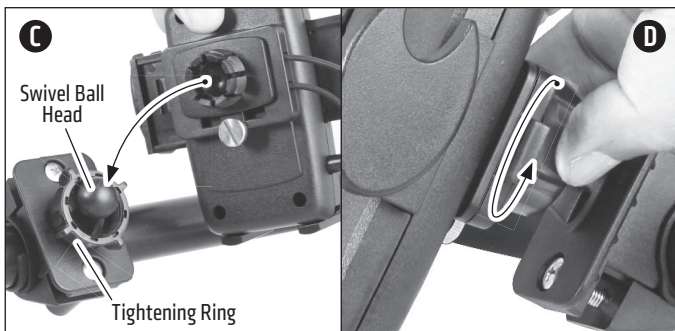
- 1** (A) Wrap the rubber rings around the handlebar and reassemble the ball plate and swivel head. (B) Secure the mount by retightening the two mounting screws into the screw holes.



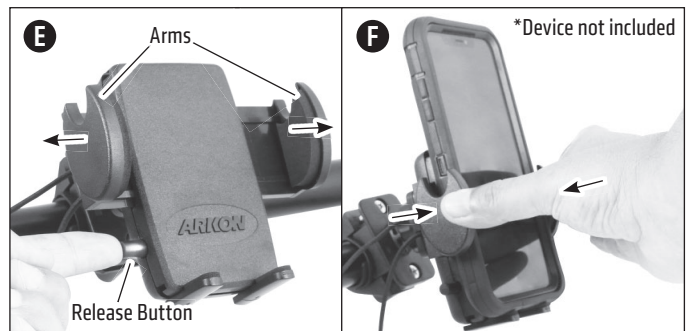
- 2** Connect strap adapter to holder. Connect Dual T-Tab adapter to strap adapter and insert LONG SCREW and tighten.



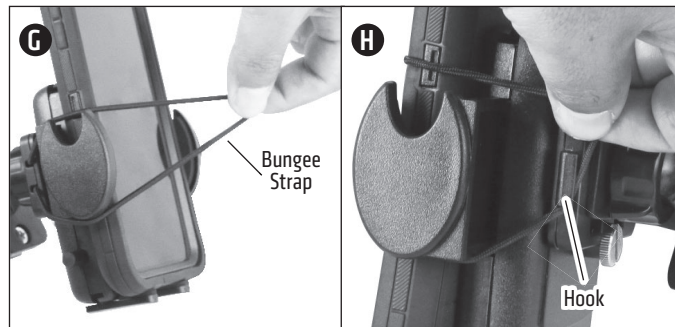
- 3** (C) Rest tightening ring over swivel ball head. Snap the mount to the swivel ball head. (D) Turn tightening ring to secure.



- 4** (E) Press the Release button to open arms. (F) Add device and close arms.



- 5** (G) Wrap bungee strap across device. (H) Attach to hook.



Safety Precautions

Do not reposition the pedestal while cycling or driving. Arkon Resources, Inc. does not promote the adjustment of mobile devices except when the bicycle or vehicle is safely parked or stopped.

Arkon is not responsible for any damages caused to your bicycle or vehicle, your device, or yourself due to the installation or use of this product.

ARKON MOUNTS

Consumer Hotline:

USA (800) 841-0884

INT'L (626) 254-9005

Monday - Friday 9am - 5pm, PST

www.arkon.com

Arcadia, CA 91006 USA

Designed in USA | Made in Taiwan

© Copyright 2020 Arkon Resources, Inc.