




Package Contents:

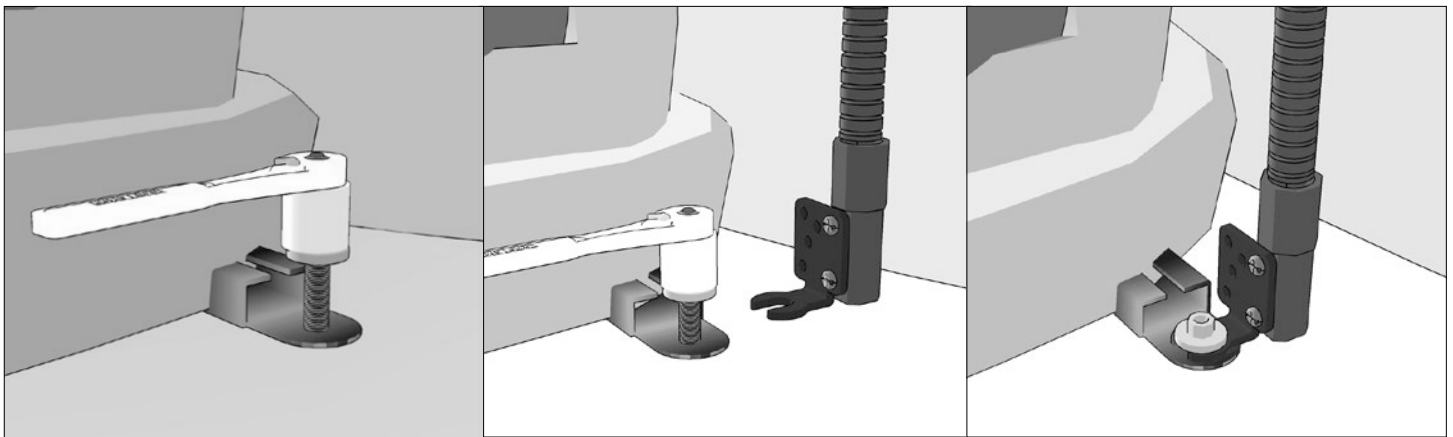
- (1) GN088-L22-SBH – 22" Flexible Aluminum Gooseneck Seat Rail or Floor Mount
- (1) SM040-2 – Mega Grip Universal Smartphone Holder

Optional: Attach included metal conduit to console to minimize vibration.

 Drilling into the dash, floor, or console may damage the vehicle. Use caution and consult a mobile install professional to avoid drilling into the gas tank, electrical system, or other highly sensitive vehicle components.

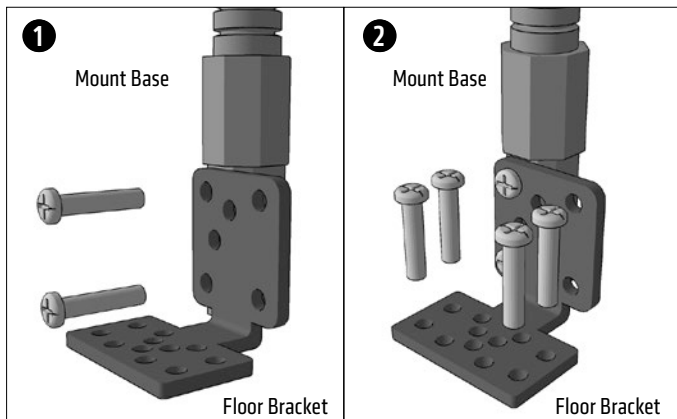
Passenger Seat Bolt Mounting – Option 1:

- 1** Use a socket wrench to loosen the passenger seat track bolt.
- 2** Insert the seat track bolt bracket.
- 3** Retighten the seat track bolt.



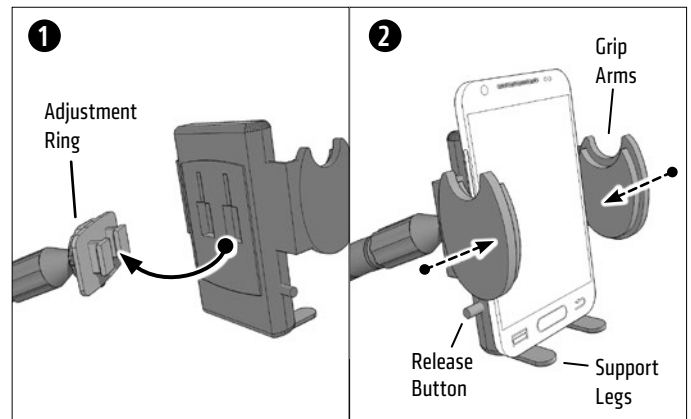
Floor Mounting – Option 2:


Screw the floor bracket to the mount. (Depending on your vehicle, you may need to change the orientation of the bracket.) Attach the floor / console bracket with screws.



Using the Mega Grip Holder

Attach the Mega Grip holder to the pedestal head by inserting the Dual T-Tabs into the Dual T-Slots on the back of the holder. Insert phone (not included) on the support legs and squeeze the side grip arms until firmly holding the device. Push the release button to remove the device. Loosen adjustment ring to change position if needed.



 **Safety Precautions**
Do not install Arkon products over an air bag cover or within the air bag deployment zone. Arkon Resources, Inc. assumes no responsibility of liability for injury or death as a result of car crashes and / or air bag deployment.

Arkon is not responsible for any damages caused to your vehicle, your device, or yourself due to the installation or use of this mount.

ARKON
RESOURCES INC. *The Mobile Mounting Specialists™*

Consumer Hotline: www.arkon.com
 USA (800) 841-0884 Arcadia, CA 91006 USA
 INT'L (626) 254-9005 Designed in USA | Made in Taiwan
 Monday - Friday 9am - 5pm, PST © Copyright 2016 Arkon Resources, Inc.