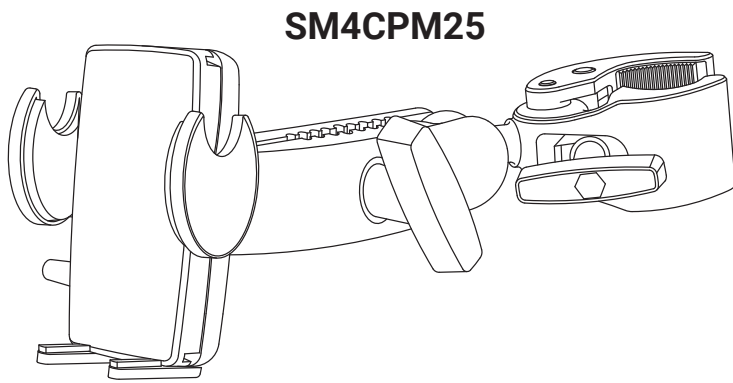


SM4CPM25 | RoadVise® Clamp Mount with Mega Grip Holder



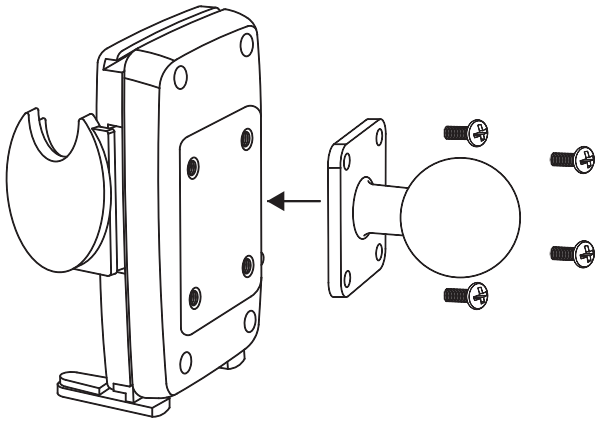
Includes:

- 1 – Manual
- 1 – Mega Grip Phone Holder (SM040AMPS)
- 4 – Screws (M4 x 12mm)
- 1 – 25mm AMPS 4-Hole Adapter Ball Mounts (APMAMPS25MM)
- 1 – Shaft Arm (SP-RM250)
- 1 – RoadVise Clamp Mount (CPMHD)

Important: Clean the application surface and make sure it is free of dirt, dust, and grease before installing the mounting hardware.

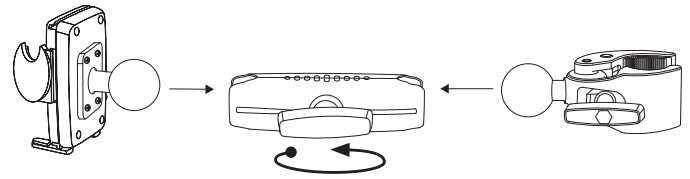
1 Installing the Mega Grip phone holder to the 25mm AMPS 4-hole adapter ball mount

Locate the packaging containing the AMPS 4-hole adapter ball mounts and the Mega Grip phone holder with installation hardware. Install the four mounting screws through the 25mm AMPS 4-hole ball adapter plate and into the phone holder.



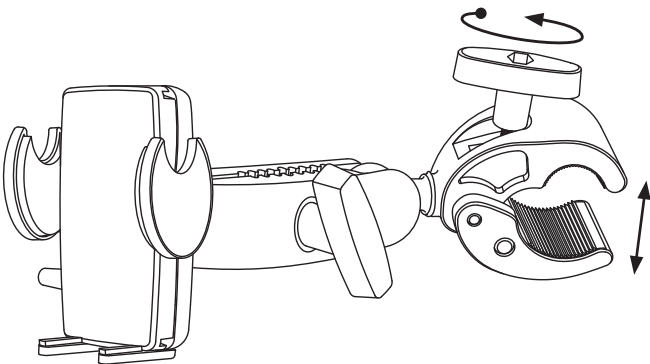
2 Assemble the components

Locate the RoadVise clamp mount, shaft arm, and Mega Grip phone holder. Loosen the knob to allow the ball adapters to insert into the shaft arm by turning it counterclockwise. Insert the ball mounts to either end of the shaft arm and turn the knob clockwise to tighten.



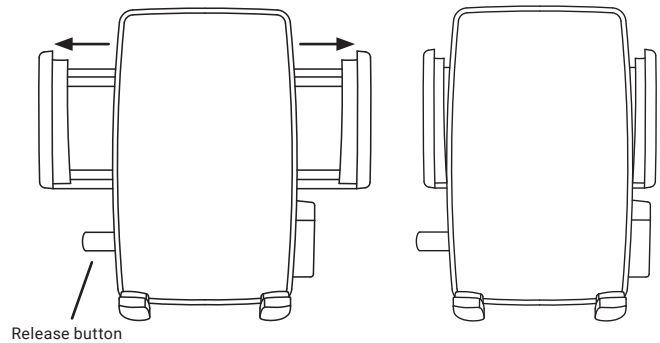
3 How to adjust the RoadVise clamp mount

Turn the knob on the clamp mount counterclockwise to expand the clamp arms to your desired width. Expand the arms by gently pulling them apart. Mount to your application surface and tighten the knob clockwise to secure.



4 To install a device into the Mega Grip phone holder

To install your device, start by pressing the release button on the side of the Mega Grip phone holder to disengage the arms. Carefully place your phone or device into the cradle, ensuring it rests on the support legs. Finally, securely clamp the grip arms inward to firmly hold your device in place.



WARNING

CHOKING HAZARD - Keep out of reach from children under 8 yrs. as they can choke or suffocate on parts included with this system

WARNING

Arkon® is not responsible for any damages caused to your device or yourself due to the installation or use of this mount. Do not install Arkon® products near areas that interfere with operation of vehicles. Arkon® assumes no responsibility or liability for injury or death as a result of failure to install in a safe location. Arkon® is not responsible for any damages caused to vehicles, product, or people due to the installation or use of this product.

ARKON® MOUNTS

USA (800) 841-0884
INT'L (626) 254-9005
Monday - Friday 9 am - 5 pm PST

arkon.com
Designed in USA
©Arkon Resources, Inc.

Need assistance?
Scan to email our
Arkon® customer
service team.

