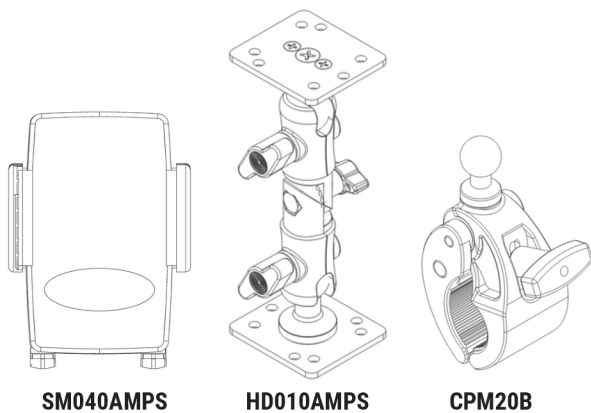


# SM4HD1020 | Mega Grip™ Phone Holder with 6" Multi-Angle Arm and Clamp Mount



## Includes:

- 1 - Mega Grip™ Phone Holder Kit - 4-Hole AMPS (SM040AMPS)
- 1 - 6" Multi-Angle Mounting Arm (SPHD010)
- 1 - RoadVise® Clamp Mount with 20mm Ball (CPM20B)

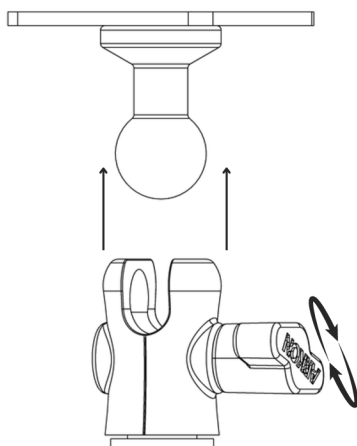
**Important:** Clean the application surface and make sure it is free of dirt, dust, and grease before installation.

**Compatibility:** This holder is suitable for smartphones with cases measuring up to 3.5" wide.

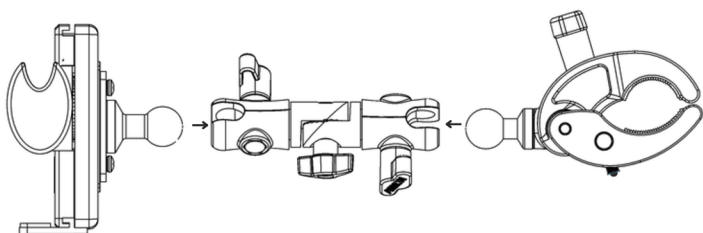
**Please note that the HD010AMPS package includes an extra AMPS adapter and hardware package for a drilling base option.**

- 1 - 20mm to 4-Hole AMPS Adapter Plate (AP20MMAL)
- 4 - Philips M4 coarse 22mm
- 4 - Philips M4 coarse 26mm
- 4 - M4 Drill wall anchors 26mm

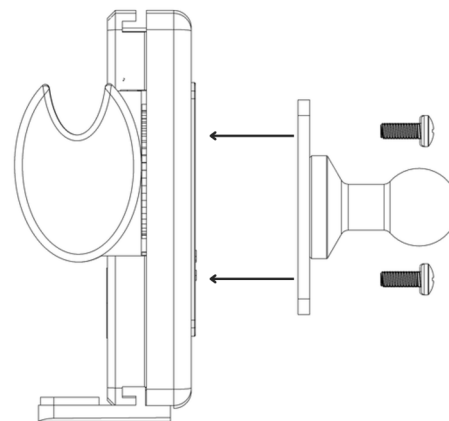
- 1** **Modifying the Pedestal**  
Remove the AMPS adapters from the pedestal by turning the knob counterclockwise.



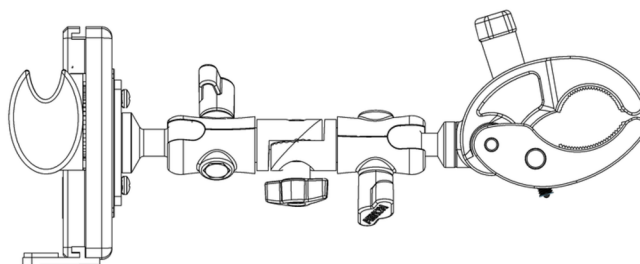
- 3** **Assemble the components**  
Turn each knob at each end counterclockwise to loosen them. Next, attach the 20mm ball adapters to both ends. Finally, tighten the knobs to secure everything in place.



- 2** **Install the AMPS adapter plate to the phone holder**  
Align the AMPS adapter on the back of the phone holder. Then, insert the four mounting screws through the AMPS ball adapter plate and into the phone holder. Finally, secure the screws tightly.



- 4** **Fully Assembled**  
Refer to the image below for the full assembled product.



## WARNING

CHOKING HAZARD - Keep out of reach from children under 8 yrs. as they can choke or suffocate on parts included with this system

## WARNING

Arkon® is not responsible for any damages caused to your device or yourself due to the installation or use of this mount. Do not install Arkon® products near areas that interfere with operation of vehicles. Arkon® assumes no responsibility or liability for injury or death as a result of failure to install in a safe location. Arkon® is not responsible for any damages caused to vehicles, product, or people due to the installation or use of this product.

Continued on page 2

**ARKON MOUNTS**

USA (800) 841-0884  
INT'L (626) 254-9005  
Monday - Friday 9 am - 5 pm PST

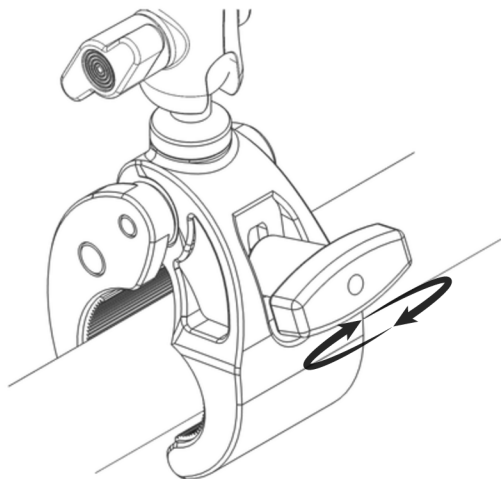
arkon.com  
Designed in USA  
©Arkon Resources, Inc.

Need assistance?  
Scan to email our  
Arkon® customer  
service team.



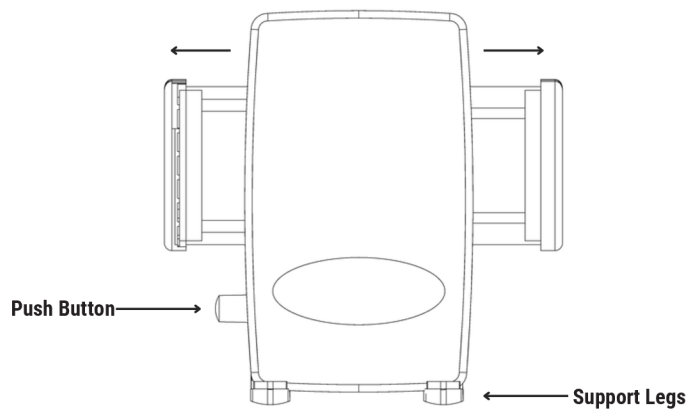
## 5 Adjusting the Clamp Mount

To widen the clamp arms to the desired width, turn the knob counterclockwise. Attach to your desired surface and then tighten the knob clockwise to secure in place.



## 6 Install your device into the phone holder

Adjust the removable support legs by sliding them laterally on the top or bottom of the holder. Position the device on the support legs and push the arms in to secure it. To remove the device, press the release button.



### WARNING

CHOKING HAZARD - Keep out of reach from children under 8 yrs. as they can choke or suffocate on parts included with this system

### WARNING

Arkon® is not responsible for any damages caused to your device or yourself due to the installation or use of this mount. Do not install Arkon® products near areas that interfere with operation of vehicles. Arkon® assumes no responsibility or liability for injury or death as a result of failure to install in a safe location. Arkon® is not responsible for any damages caused to vehicles, product, or people due to the installation or use of this product.

