



SPSEATMT

SM040-2

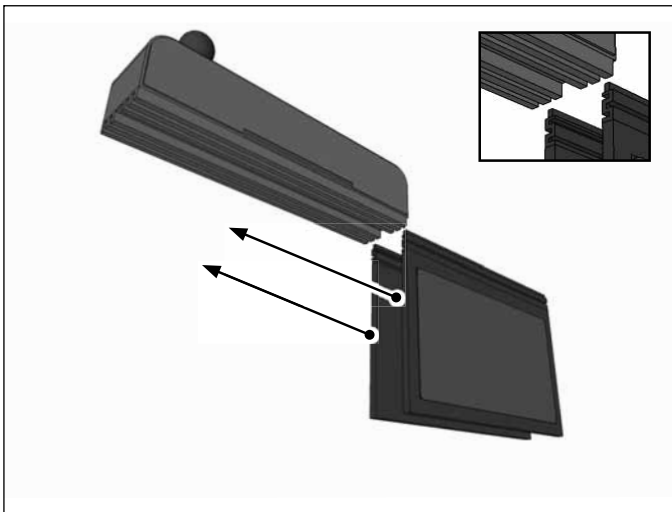
APRM2T

SP-RM200

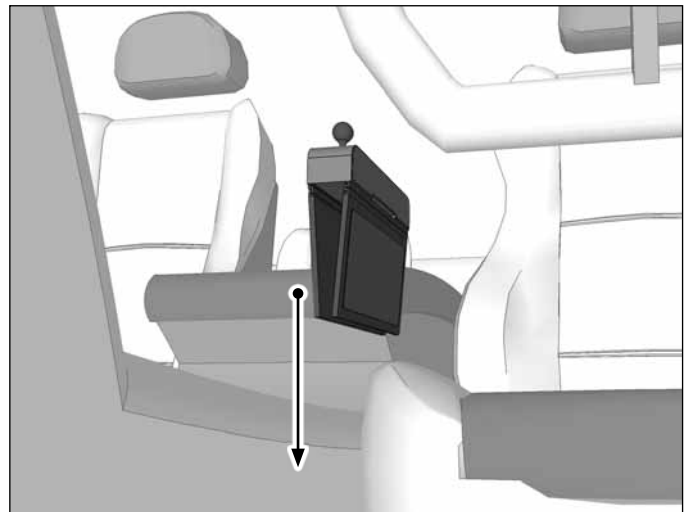
Package Contents:

- (1) SPSEATMT – Car Seat Wedge Mount Pedestal
- (1) SM040-2 – Mega Grip Universal Smartphone Holder
- (1) SP-RM200 – Robust Series Mount Shaft
- (1) APRM2T – 25mm Ball to Dual T-Tab Adapter

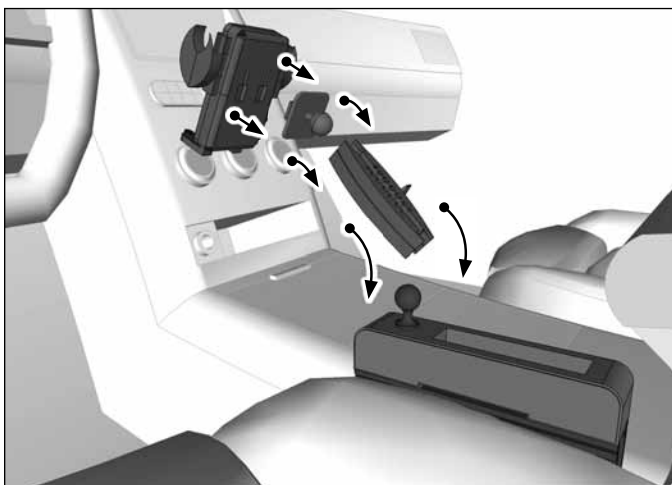
- 1** Adjust the lower plates of the pedestal to fit the space between car seat and console by sliding the plate into the desired slot.



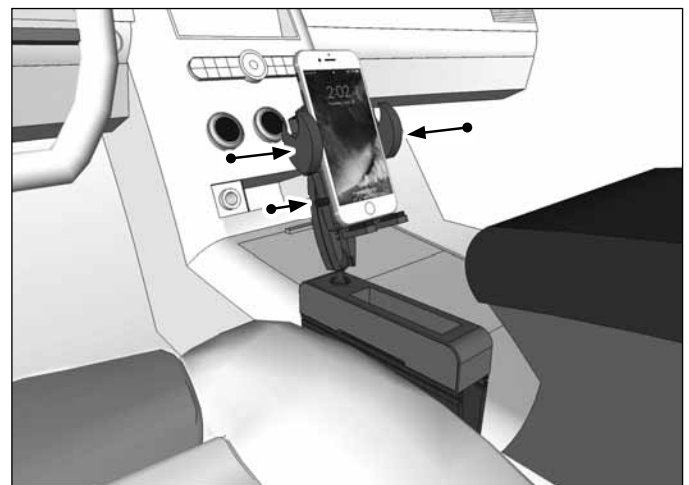
- 2** Insert the pedestal into the space between the car seat and console.



- 3** Attach adapter to the pedestal's rubber ball, then attach phone holder to the adapter by sliding the adapter's Dual T-Tabs into the holder's Dual T-Slots.



- 4** Insert phone by pressing on side button to release arms.



! Safety Precautions

Arkon is not responsible for any damages caused to your vehicle, your device, or yourself due to the installation or use of this pedestal mount. Do not install Arkon products over an air bag cover or within the air bag deployment zone.

Arkon Resources, Inc. assumes no responsibility of liability for injury or death as a result of car crashes and / or air bag deployment.

ARKON
RESOURCES INC.

The Mobile Mounting Specialists™

Consumer Hotline:

USA (800) 841-0884

INT'L (626) 254-9005

Monday - Friday 9 am - 5 pm, PST

www.arkon.com

Arcadia, CA 91006 USA

Designed in USA | Made in Taiwan

© Copyright 2017 Arkon Resources, Inc.