



SM688 - IPM688
Slim-Grip® Ultra™
18" Flexible Car
Floor Mount

Package Contents:

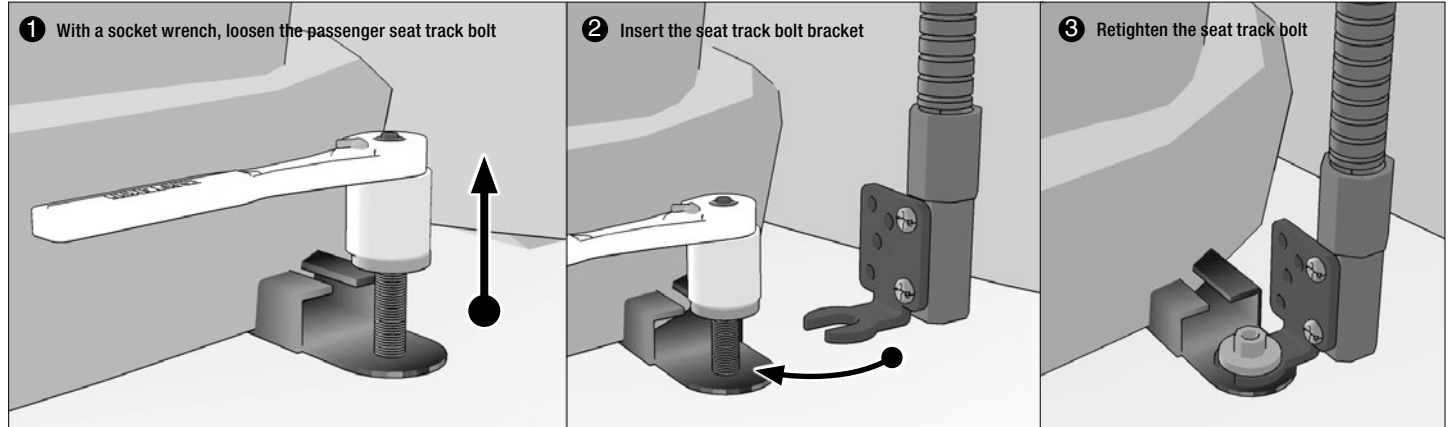
SM060-2 - Slim-Grip® Ultra™ Holder
GN088-SBH - 18" Flexible Car Seat Rail or Floor Mount

IMPORTANT: Select the appropriate short or long support legs and install to holder. For large sized smartphones and midsize tablets, select 4 long support legs.

- ⚠ Do not place mount in or near an air bag deployment zone or where it will obstruct view of the road.
- ⚠ Drilling into the dash, floor, or console will permanently damage the vehicle. Use caution and consult a mobile install professional to avoid drilling into the gas tank, electrical system or other highly sensitive vehicle components.

Passenger Seat Bolt Mounting

For a simple mount that can be easily moved to another vehicle, install using the passenger seat track bolt.

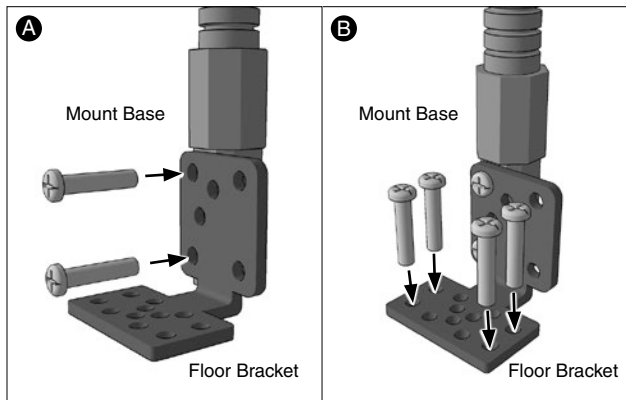


Alternative Floor or Console Mounting

For a more permanent mount, connect the floor / console mount bracket to the floor or console. This will require drilling into your vehicle's interior surface.

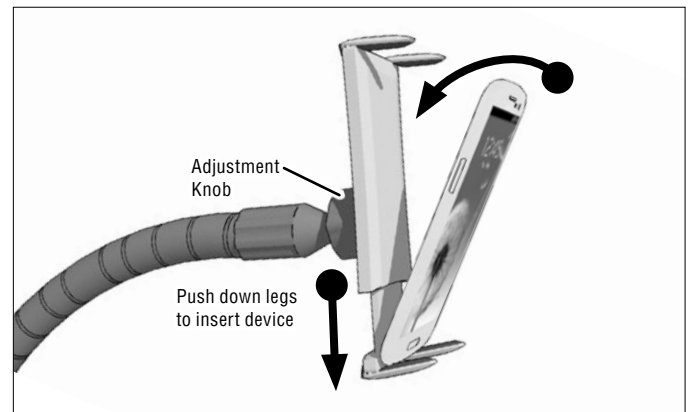
- ⚠ Drilling into the dash, floor, or console will permanently damage the vehicle. Use caution and consult a mobile install professional to avoid drilling into the gas tank, electrical system or other highly sensitive vehicle components.

- Fig. A Screw the mount bracket to the mount. Depending on your vehicle, you may need to change the orientation of the bracket.
- Fig. B Attach the floor / console bracket with screws.



Mount a Device

Attach the holder to mount and insert device; use included long legs if necessary.



Optional: Attach included metal conduit to console to minimize vibration.

