

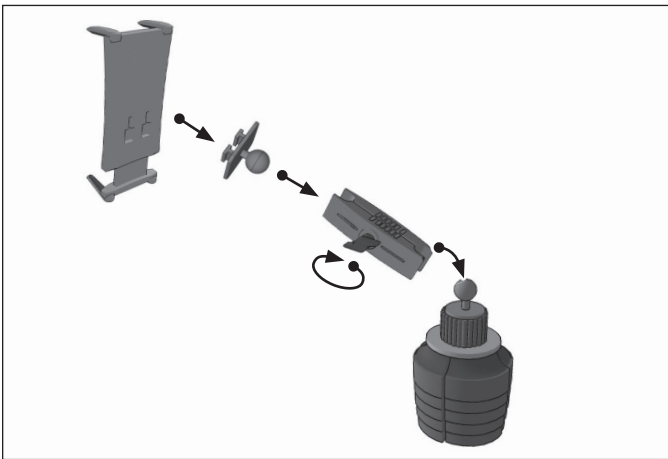


**Package Contents:**

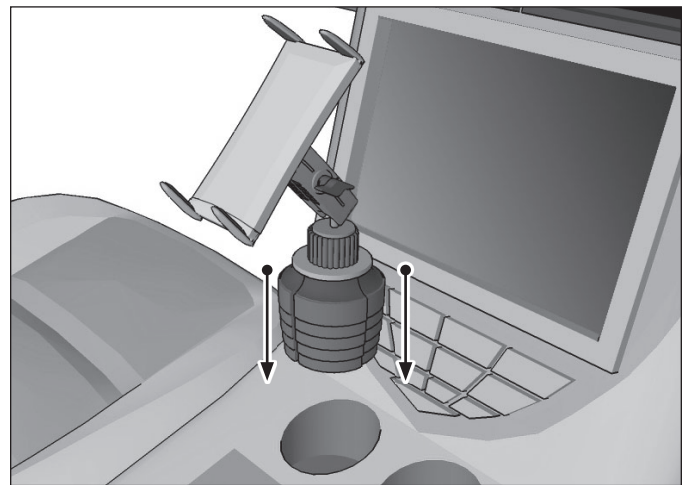
- (1) SM060-2 – Mega Grip Universal Phone Holder
- (1) SPRM023 – Robust Cup Holder Pedestal
- (1) SP-RM250 – Robust Mount Shaft
- (1) APRM2T – 25mm Ball to Dual T-Tab Adapter

**COMPATIBILITY:** Fits phones with cases up to 7.5" tall

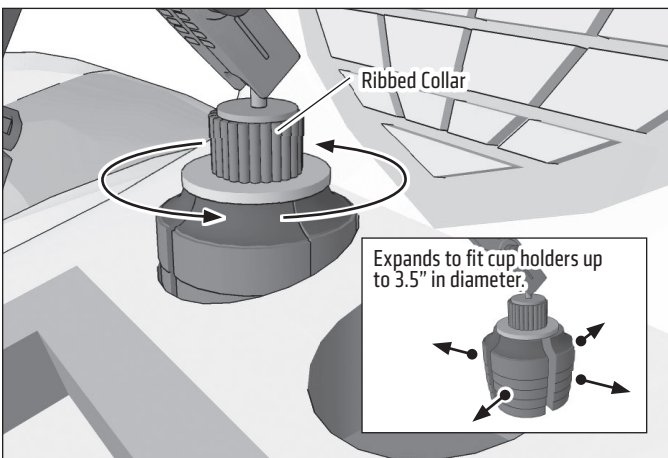
- 1** Attach Robust shaft to cup holder pedestal. Attach adapter to Robust shaft and turn knob to tighten. Attach device holder to adapter.



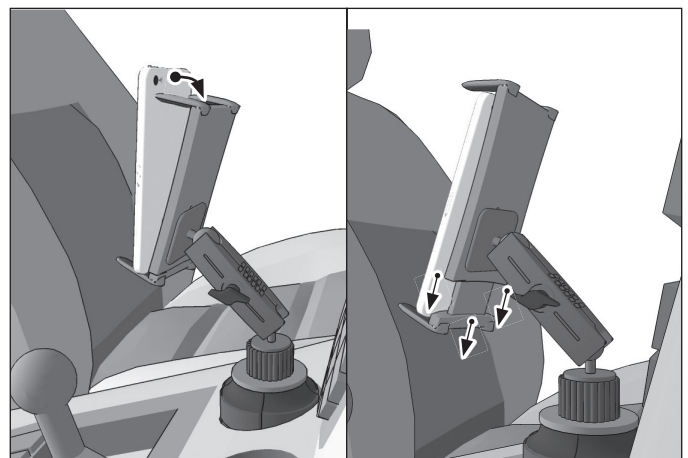
- 2** Insert mount into car cup holder.



- 3** Twist ribbed collar counterclockwise to expand base to fit cup holder. Expands to fit cup holders up to 3.5 inches in diameter.



- 4** Using two hands, lay down the device on the holder. Pull down on the middle-bottom of the holder to extend it until the device fits in.



**! Safety Precautions**

Do not install Arkon products over an air bag cover or within the air bag deployment zone. Arkon Resources, Inc. assumes no responsibility for liability for injury or death as a result of car crashes and/or air bag deployment. Arkon is not responsible for any damages caused to your vehicle, your device, or yourself due to the installation or use of this mount.

**ARKON MOUNTS**

Consumer Hotline:

USA (800) 841-0884

INT'L (626) 254-9005

Monday - Friday 9am - 5pm, PST

[www.arkon.com](http://www.arkon.com)

Arcadia, CA 91006 USA

Designed in USA | Made in Taiwan

© Copyright 2019 Arkon Resources, Inc.