



**Package Contents:**

- (1) SM060-2 – Slim-Grip® Ultra™ Universal Smartphone and Midsize Tablet Holder
- (1) SPHD8BASE – Base and Allen Wrench
- (1) SPHD8L29 – Extra Long Shaft
- (1) AP20MM2T – Metal 20mm Ball to Dual T-Tab Adapter

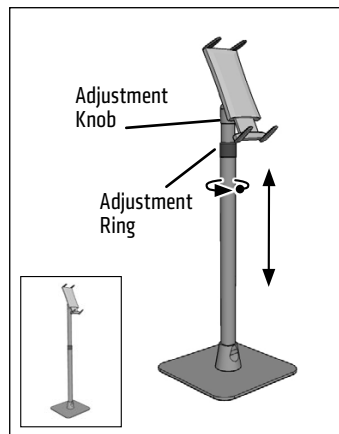
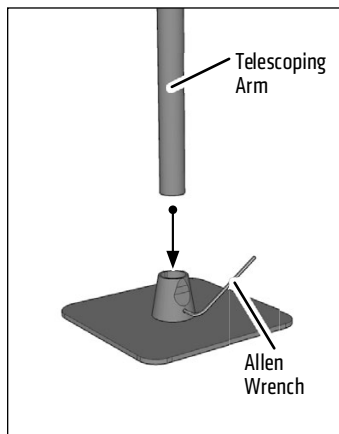
Use with iPad mini or other midsize tablet for live streaming on Instagram, Facebook Live or other live video broadcasting apps.

The Slim-Grip® Ultra™ universal midsize tablet and smartphone holder fits devices up to 8” screen size.

Eight support legs (4 short and 4 longer versions) are included that can be customized for optimum fit of your iPad mini or midsize tablet.

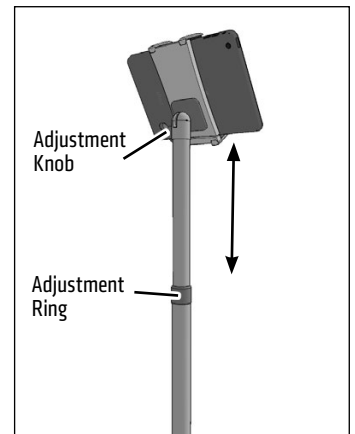
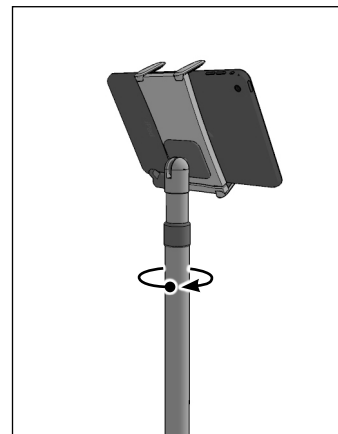
**Connecting Telescoping Arm:**

Insert telescoping arm tube into weighted base. Tighten base lock to secure with included allen wrench. Adjust the height and angle of the pedestal by loosening the adjustment ring and the adjustment knob. Retighten to set.



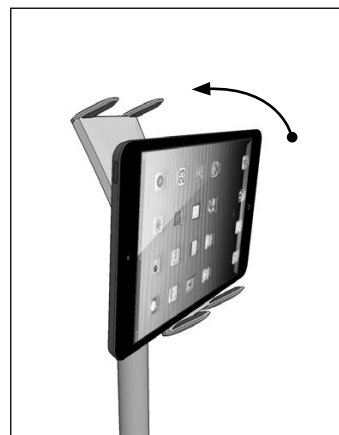
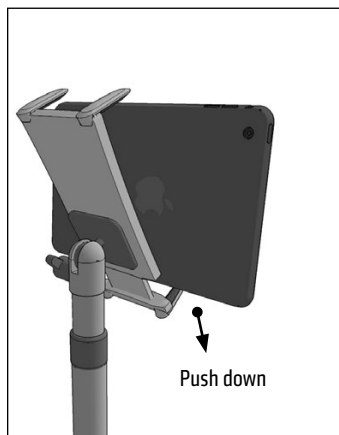
**Adjusting Weighted Base:**

Adjust the height and angle of the mount by loosening the adjustment ring and the adjustment knob. Retighten to set.



**Inserting Tablet:**

Insert device into holder by pushing down on the bottom spring-loaded support legs with the device. Slide the top of the device under the top support legs until it fits snugly in the holder.



**! Safety Precautions**

Arkon is not responsible for any damages caused to your devices or yourself due to the installation or use of this tablet stand.

Failing to properly secure the base to the shaft could cause bodily injury or harm. Always use two hands (one on shaft, and one on base) when carrying.

**ARKON MOUNTS**

Consumer Hotline:  
 USA (800) 841-0884  
 INT'L (626) 254-9005  
 Monday - Friday 9 am - 5 pm, PST

[www.arkon.com](http://www.arkon.com)  
 Arcadia, CA 91006 USA  
 Designed in USA | Made in Taiwan  
 © Copyright 2019 Arkon Resources, Inc.