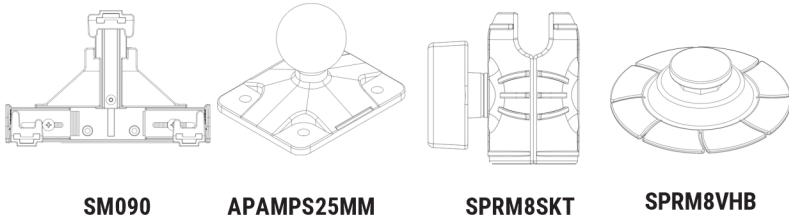


SM98VHB | LockVise™ Locking Phone Holder with OCTO™ Series Adhesive Mount



Includes:

- 1 - LockVise™ Locking Phone Holder with Key Lock Kit (SM090)
- 1 - 4-Hole AMPS to 25mm Ball Adapter (APAMPS25MM)
- 1 - OCTO™ Series 25mm Ball with Octagon Button (SPRM8SKT)
- 1 - OCTO™ Series Adhesive Base to Octagon Button (SPRM8VHB)

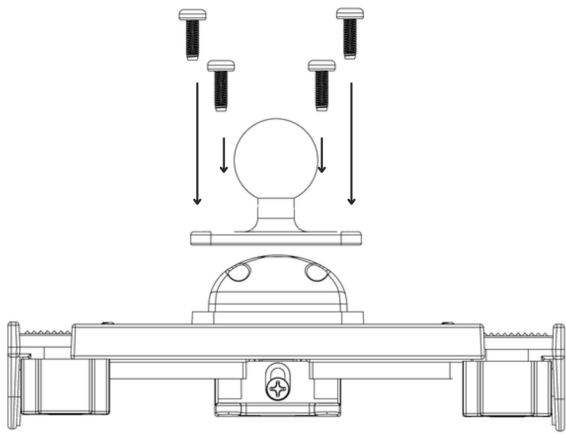
Compatibility: This holder is designed to work with a variety of phones, accommodating the most popular models with widths ranging from 4.88" to 7.18" when mounted horizontally.

Please note that the SM090 hardware specifications.

- 1 - Allen key
- 2 - Locking keys
- 2 - Foam pads
- 4 - Screws

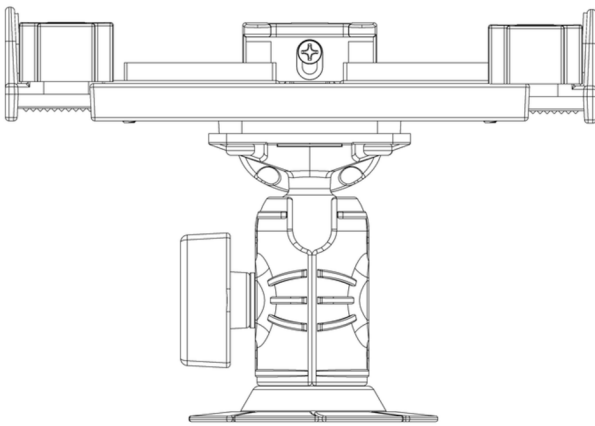
1 Install the AMPS adapter plate to the phone holder

Align the AMPS adapter on the back of the phone holder. Then, insert the four mounting screws through the AMPS 4-hole ball adapter plate and into the phone holder. Finally, secure the screws tightly.



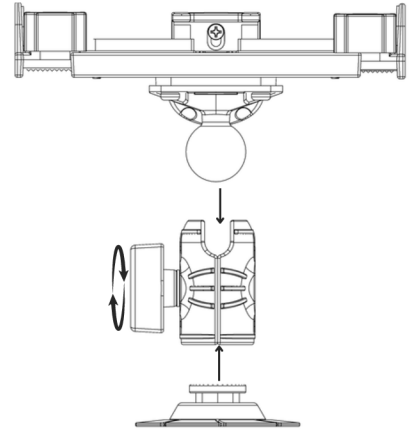
3 Fully Assembled

Refer to the image below for the full assembled product.



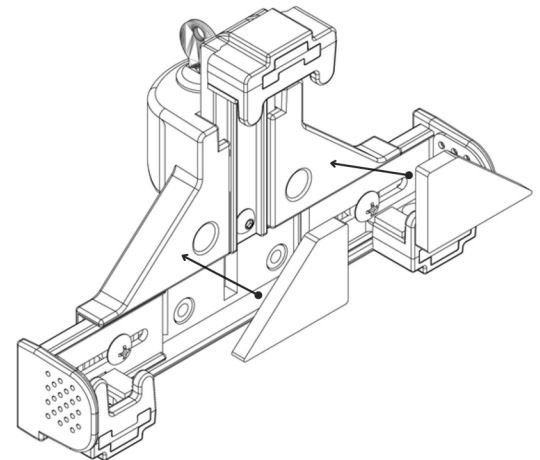
2 Assemble the components

Turn the shaft knob counterclockwise to loosen it. Then, connect the 25mm ball adapter to one end and the button pattern to the other end. Lastly, tighten the shaft to ensure everything is securely in position.



4 Optional - Installing the foam padding if not using a phone case

To properly set up the holder, find the packaging that contains the foam padding and place it on the sides of the holder.



WARNING

CHOKING HAZARD - Keep out of reach from children under 8 yrs. as they can choke or suffocate on parts included with this system

WARNING

Arkon® is not responsible for any damages caused to your device or yourself due to the installation or use of this mount. Do not install Arkon® products near areas that interfere with operation of vehicles. Arkon® assumes no responsibility or liability for injury or death as a result of failure to install in a safe location. Arkon® is not responsible for any damages caused to vehicles, product, or people due to the installation or use of this product.

ARKON MOUNTS

USA (800) 841-0884
INT'L (626) 254-9005
Monday - Friday 9 am - 5 pm PST

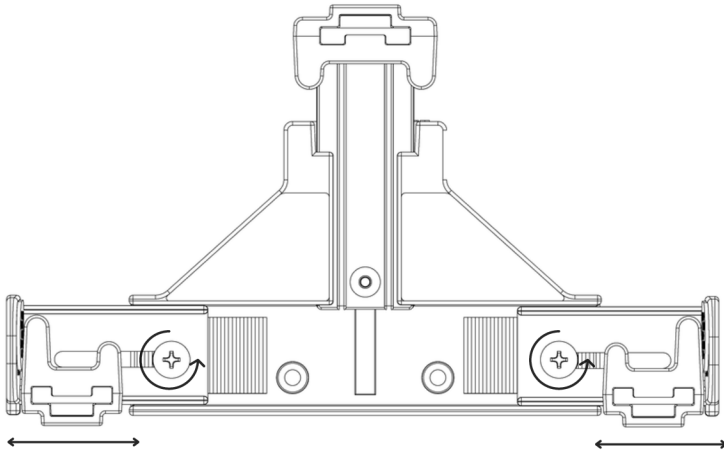
arkon.com
Designed in USA
©Arkon Resources, Inc.

Need assistance?
Scan to email our
Arkon® customer
service team.



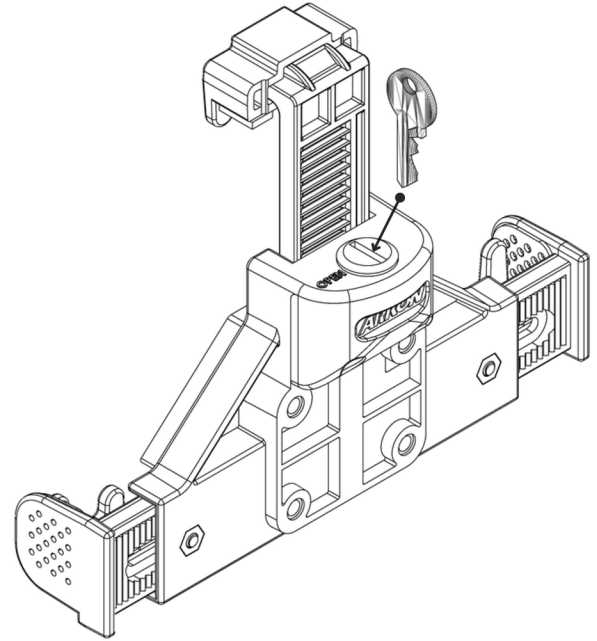
5 Adjusting the length of the holder

To adjust the holder, use a Phillips screwdriver. Loosen the screws in order to expand the width and depth of the holder.



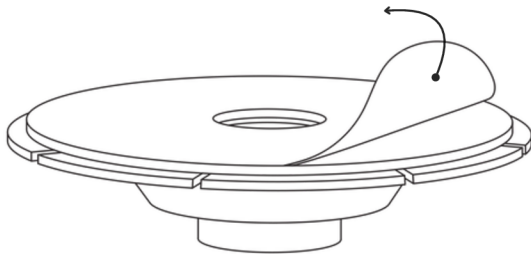
6 Installing the phone to the holder

Apply the locking keys to lock the height adjustment of the holder. Unlock the holder and pull up on the top arm to expand the holder.



7 Remove the protective film from the mounting base

Remove the red protective film from the mounting base without damaging the adhesive. The mounting base is now ready to be securely attached to the surface.



WARNING

CHOKING HAZARD - Keep out of reach from children under 8 yrs. as they can choke or suffocate on parts included with this system

WARNING

Arkon® is not responsible for any damages caused to your device or yourself due to the installation or use of this mount. Do not install Arkon® products near areas that interfere with operation of vehicles. Arkon® assumes no responsibility or liability for injury or death as a result of failure to install in a safe location. Arkon® is not responsible for any damages caused to vehicles, product, or people due to the installation or use of this product.

