

Includes:

- 1 – LockVise™ Locking Phone Holder with Key Lock Kit (SM090)
- 1 – 4-Hole AMPS Plate with 20mm Ball (AP20ALAMPS)
- 1 – Multi-Angle Mounting Arm (SPHD010)
- 1 – RoadVise® Clamp Mount with 20mm Ball (CPM20B)

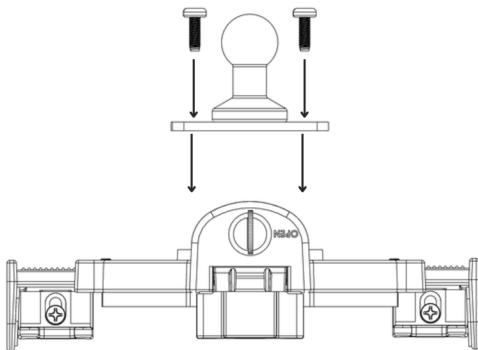
Important: Clean the application surface and make sure it is free of dirt, dust, and grease before installation.

Compatibility: This holder is designed to work with a variety of phones, accommodating the most popular models with widths ranging from 4.88" to 7.18" when mounted horizontally.

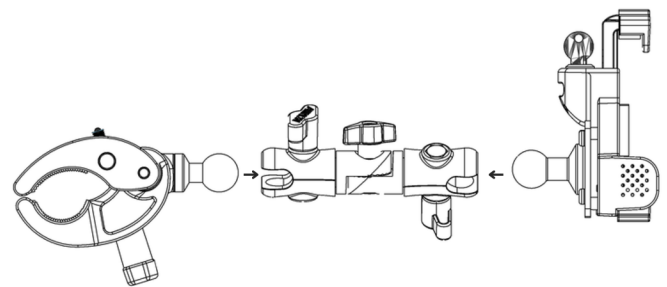
Please note that the SM090 hardware specifications.

- 1 - Allen key
- 2 - Locking keys
- 2 - Foam pads
- 4 - Screws

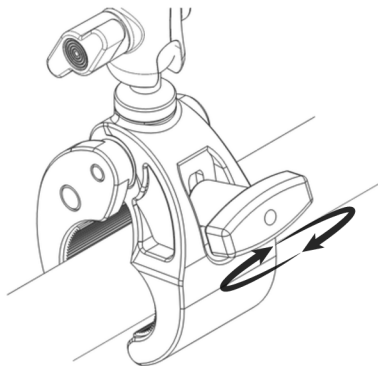
- 1 Install the AMPS Adapter Plate to the phone holder**
Align the AMPS 4-hole adapter on the back of the phone holder. Then, insert the four mounting screws through the AMPS 4-hole ball adapter plate and into the phone holder. Finally, secure the screws tightly.



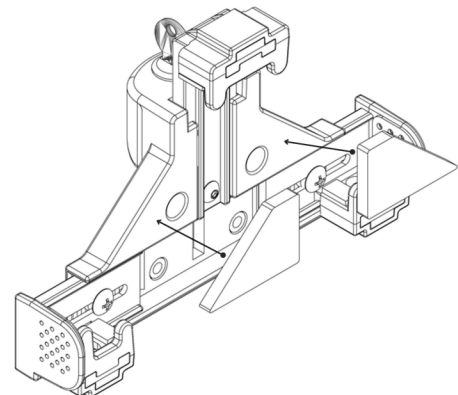
- 2 Assemble the components**
Turn each knob at each end counterclockwise to loosen them. Next, attach the 20mm ball adapters to both ends. Finally, tighten the knobs to secure everything in place.



- 3 Adjusting the Clamp Mount**
To widen the clamp arms to the desired width, turn the knob counterclockwise. Attach to your desired surface and then tighten the knob clockwise to secure in place.



- 4 Optional - Installing the foam padding if not utilizing a phone case**
To properly set up the holder, find the packaging that contains the foam padding and place it on the sides of the holder.



WARNING

CHOKING HAZARD - Keep out of reach from children under 8 yrs. as they can choke or suffocate on parts included with this system

WARNING

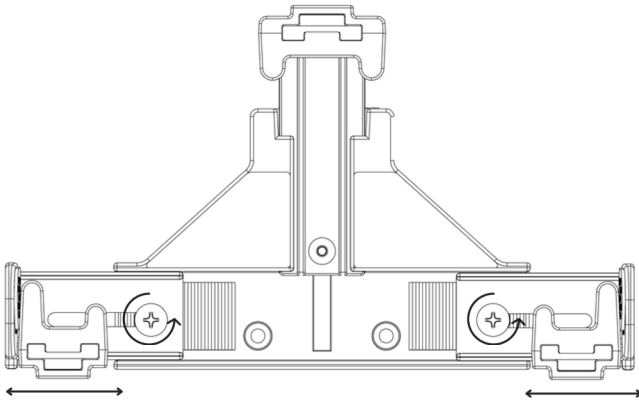
Arkon® is not responsible for any damages caused to your device or yourself due to the installation or use of this mount. Do not install Arkon® products near areas that interfere with operation of vehicles. Arkon® assumes no responsibility or liability for injury or death as a result of failure to install in a safe location. Arkon® is not responsible for any damages caused to vehicles, product, or people due to the installation or use of this product.

Continued on page 2



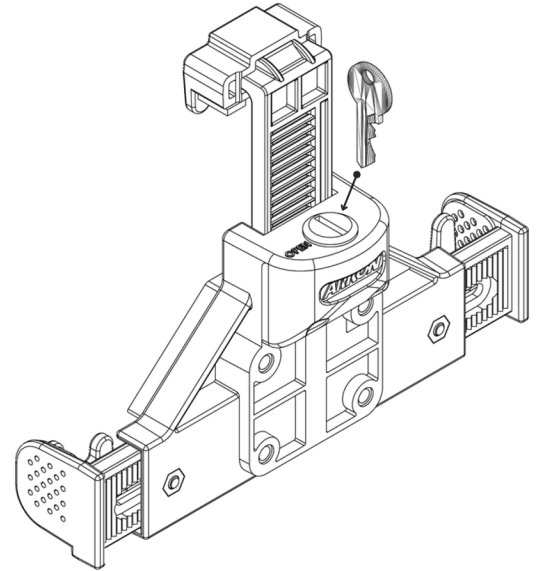
5 Adjusting the length of the holder

To adjust the holder, use a Phillips screwdriver. Loosen the screws in order to expand the width and depth of the holder.



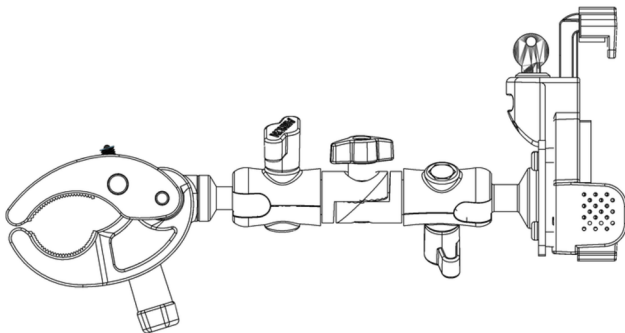
6 Installing the phone to the holder

Apply the locking keys to lock the height adjustment of the holder. Unlock the holder and pull up on the top arm to expand the holder.



7 Fully Assembled

Refer to the image below for the full assembled product.



WARNING

CHOKING HAZARD - Keep out of reach from children under 8 yrs. as they can choke or suffocate on parts included with this system

WARNING

Arkon® is not responsible for any damages caused to your device or yourself due to the installation or use of this mount. Do not install Arkon® products near areas that interfere with operation of vehicles. Arkon® assumes no responsibility or liability for injury or death as a result of failure to install in a safe location. Arkon® is not responsible for any damages caused to vehicles, product, or people due to the installation or use of this product.

