

Package Contents:

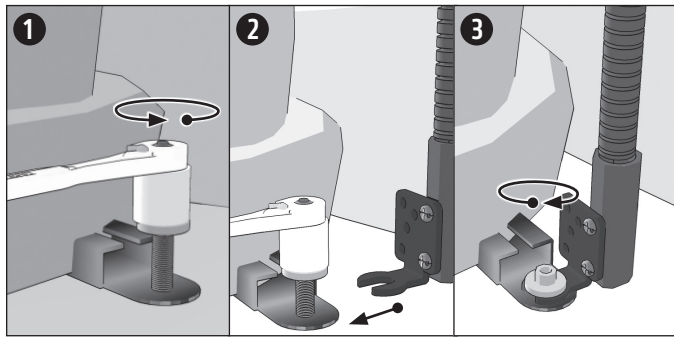
- (1) RM08825AL - 18" Seat Rail or Floor Mount - 25mm Ball Compatible
- (1) SM090B - Heavy-Duty Universal Locking Phone Holder
- (1) SP-RM250 - Robust Mount Shaft
- (1) APMAMPS25MM - 4-Hole AMPS to 25mm (1 inch) Ball Adapter

Compatibility: Fits smartphones with cases measuring up to 7.18" wide.

Warning: Drilling into the dash, floor, or console may damage the vehicle. Use caution and consult a mobile install professional to avoid drilling into the gas tank, electrical system, or other highly sensitive vehicle components.

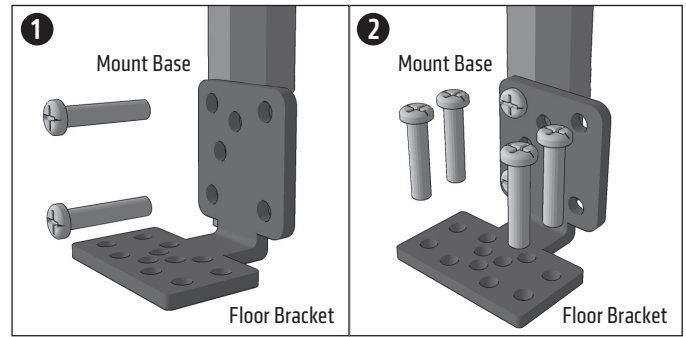
Passenger Seat Bolt Mounting – Option 1:

Use a socket wrench to loosen the passenger seat track bolt. Insert the seat track bolt bracket. Retighten the seat track bolt.



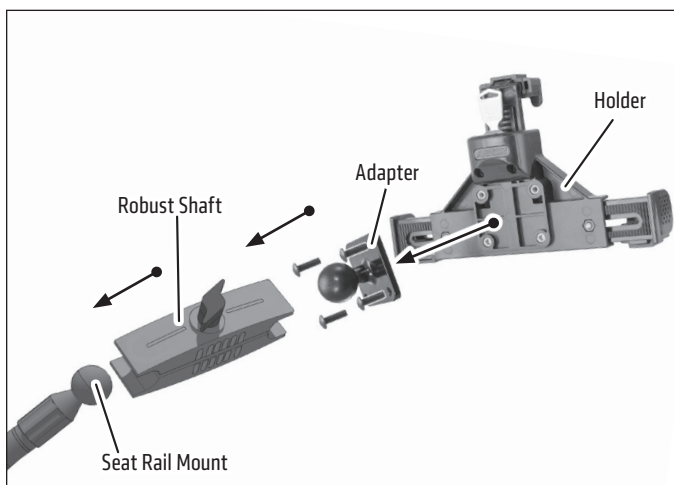
Floor Mounting – Option 2:

Screw the floor bracket to the mount. (Depending on your vehicle, you may need to change the orientation of the bracket.) Attach the floor / console bracket with screws.



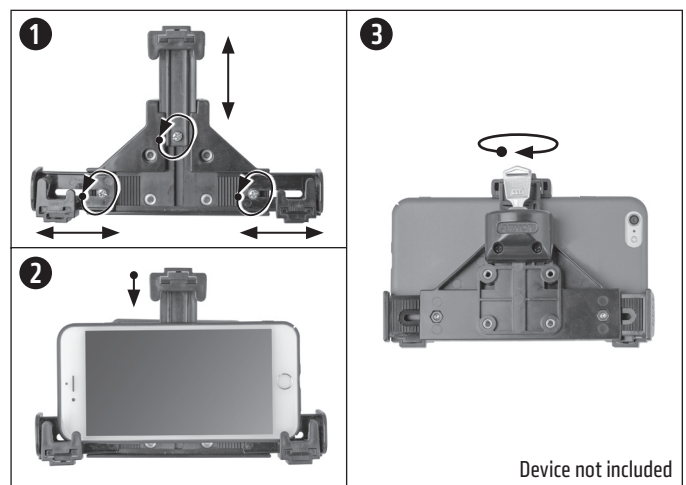
Combining the Mount and Holder

Attach the Robust Shaft to the seat rail mount, attach the adapter to the shaft. Attach adapter to holder.



Adding Device

Use a Phillips screwdriver to loosen the 3 screws to adjust the holder to the size of your device. Tighten screws to set. Insert device and push down on the center arm. Lock with included key.



! Safety Precautions
Do not install Arkon products over an air bag cover or within the air bag deployment zone. Arkon Resources, Inc. assumes no responsibility of liability for injury or death as a result of car crashes and / or air bag deployment.

Arkon is not responsible for any damages caused to your vehicle, your device, or yourself due to the installation or use of this mount.

ARKON MOUNTS

Consumer Hotline: www.arkon.com
 USA (800) 841-0884 Arcadia, CA 91006 USA
 INT'L (626) 254-9005 Designed in USA | Made in Taiwan
 Monday - Friday 9am - 5pm, PST © Copyright 2021 Arkon Resources, Inc.