

Includes:

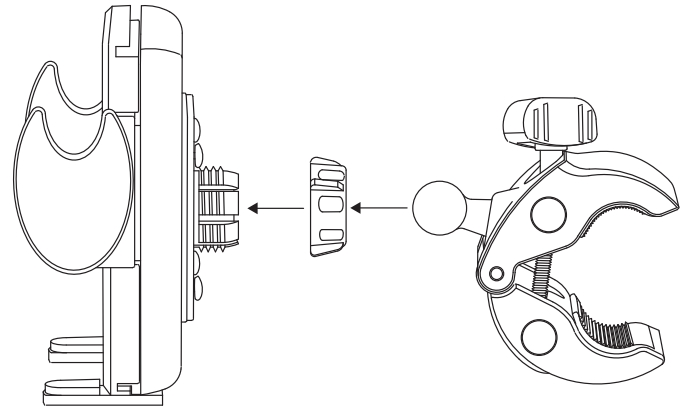
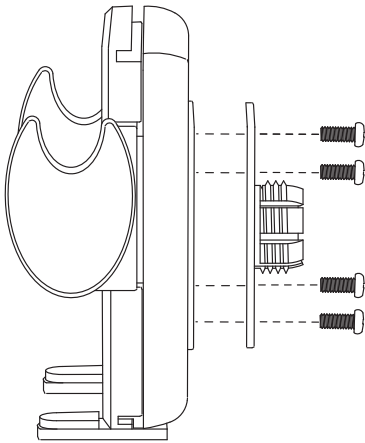
- 1 – 4-Hole AMPS Adapter (SP-SB-AMPS)
- 1 – 17mm Swivel Tightening Ring (SP-SB-RING)

NOTE: Screws are not included in the packaging for this product.

IMPORTANT: Clean the application surface and make sure it is free of dirt, dust, and grease before installing the mounting hardware.

1 **Install the 4-Hole AMPS Adapter to a Device Holder**
 Locate the AMPS adapter within the packaging and securely attach it onto your compatible device holder, following the provided illustration.

2 **Install the Tightening Ring to a Compatible product**
 Simply, place the tightening ring onto your compatible product. Then, insert your compatible 17mm ball into the back of the AMPS adapter, and turn the ring clockwise to securely fasten it in place.



WARNING
 CHOKING HAZARD - Keep out of reach from children under 8 yrs. as they can choke or suffocate on parts included with this system

WARNING
 Arkon® is not responsible for any damages caused to your device or yourself due to the installation or use of this mount. Do not install Arkon® products near areas that interfere with operation of vehicles. Arkon® assumes no responsibility or liability for injury or death as a result of failure to install in a safe location. Arkon® is not responsible for any damages caused to vehicles, product, or people due to the installation or use of this product.

