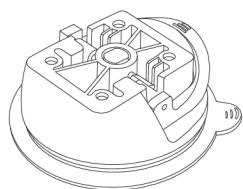


AP SPLTR0802R



SP080AMPSR



XACP

## Includes:

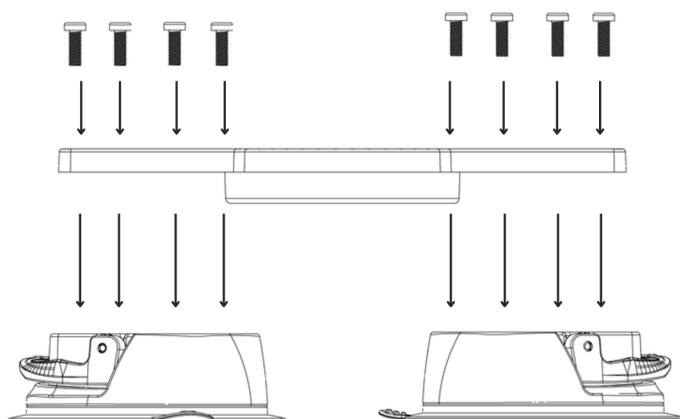
- 1 - Double Suction Splitter Bar Plate (AP SPLTR0802R)
- 4 - Screws and Nuts (SP-12M-4M7)
- 2 - Suction Cup Bases - AMPS Compatible (SP080AMPSR)
- 8 - Screws (M4 x 12mm Phillips Pan Head Machine)
- 2 - Alcohol Pads (XACP)

**Note:** For installing on dashboards or flat surfaces that contain texturized material the use of a dash mounting disc may be required.

**Important:** Clean the application surface and make sure it is free of dirt, dust, and grease before installing the mounting hardware.

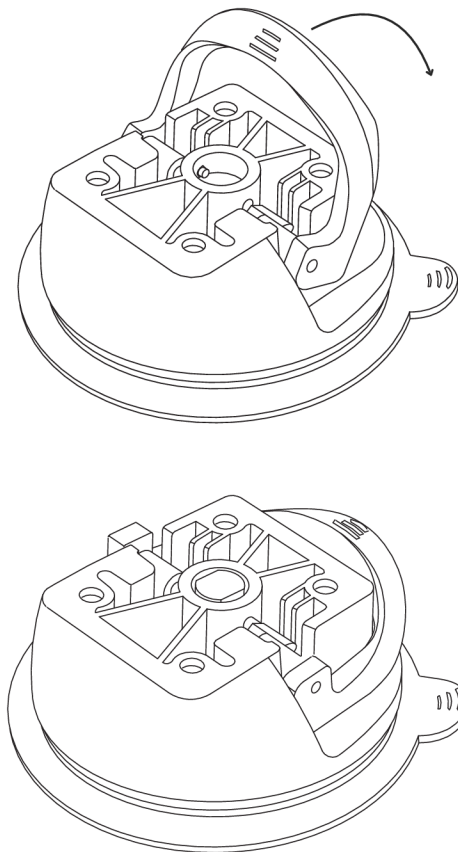
## 1 Assembling components

Install the splitter bar plate onto the suction cups by aligning the holes from the plate with those on the suction cups. Proceed to insert the four mounting screws through the plate and into the bases of the suction cups. To finish, ensure that the screws are securely tightened.



## 2 Install the suction cups to a surface

Locate a safe flat surface on the dash or console to mount the base. Clean the surface with the provided alcohol pad. Let the surface dry before applying. Remove the clear plastic protective film from the suction base. Push the pedestal suction cup firmly to the surface. Flip the lever down to secure the suction cup.



### WARNING

CHOKING HAZARD - Keep out of reach from children under 8 yrs. as they can choke or suffocate on parts included with this system

### WARNING

Arkon® is not responsible for any damages caused to your device or yourself due to the installation or use of this mount. Do not install Arkon® products near areas that interfere with operation of vehicles. Arkon® assumes no responsibility or liability for injury or death as a result of failure to install in a safe location. Arkon® is not responsible for any damages caused to vehicles, product, or people due to the installation or use of this product.

