



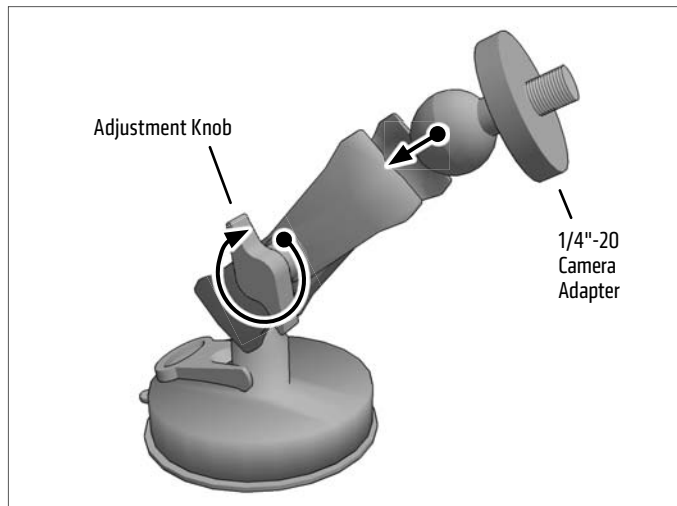
Package Contents:

SP25MMCAM – 25mm Ball to 1/4"-20 Camera Adapter

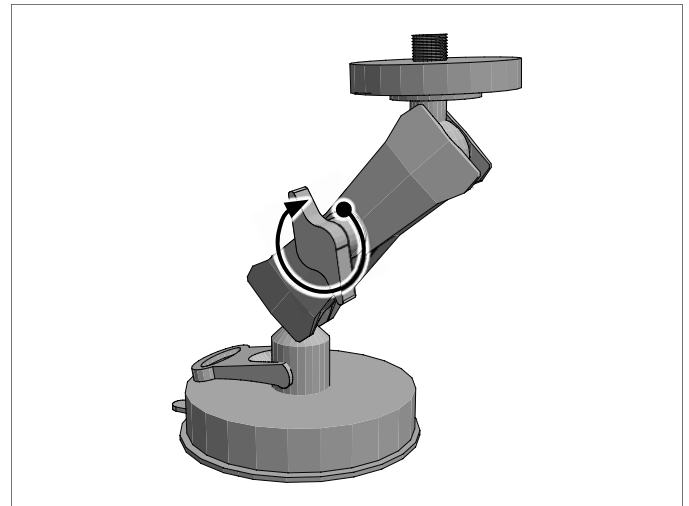
Mount pictured: RM0801420

SP25MMCAM can also be used with other mounts in Arkon's Robust Mount Series: RM080AMPS (Heavy-Duty 80mm Suction Mounting Pedestal with 4-Hole AMPS Head), RM2XAMPS (Heavy-Duty 4-Hole AMPS to 4-Hole AMPS Mounting Pedestal), RM0802T (Heavy -Duty 80mm Suction Mounting Pedestal with Dual-T Head), or RMAMPS2T (Heavy-Duty 4-Hole AMPS Mounting Pedestal with Dual-T Head).

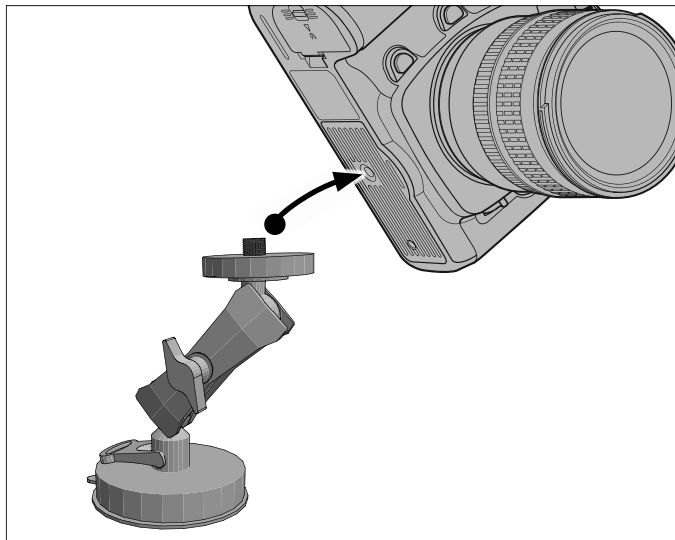
- 1** Insert the camera adapter into the pedestal (sold separately, not included) by loosening the adjustment knob and inserting the 25mm ball.



- 2** Adjust angle of pedestal and position of camera mounting ball. Retighten to secure.



- 3** Attach small camera/video camera (not included, sold separately) by screwing the 1/4"-20 bolt into the tripod socket of the camera.



ARKON
RESOURCES INC. *The Mobile Mounting Specialists™*

Consumer Hotline:

USA (800) 841-0884

INT'L (626) 254-9005

Monday - Friday 9 am - 5 pm, PST

www.arkon.com

Arcadia, CA 91006 USA

Designed in USA | Made in Taiwan

© Copyright 2014 Arkon Resources, Inc.