



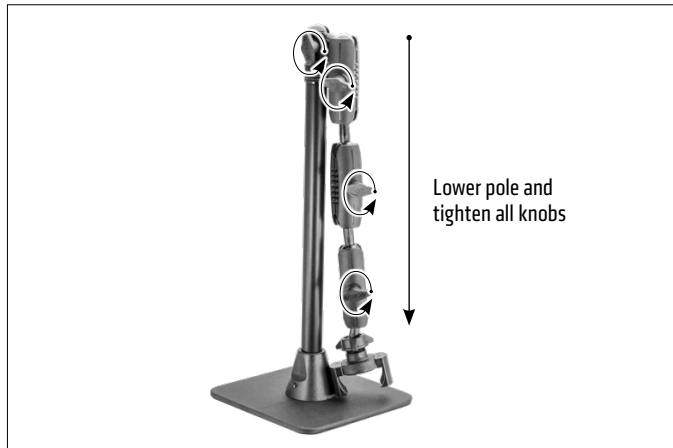
**Package Contents:**

**(1) SPCLRCLAMP** – Plastic Collar and Clamp

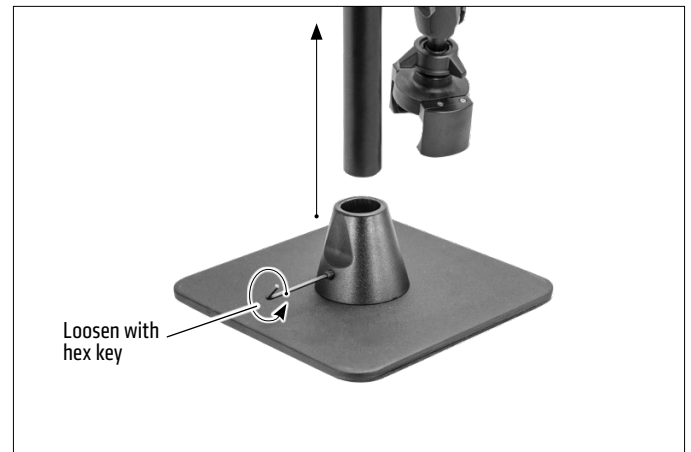
SPCLRCLAMP opens to clamp to tables, desks, counters, and other clampable surfaces from approximately .4 inches up to 3.1 inches thick.

**To convert your Arkon Pro Stand or Remarkable Creators Stand to a Clamp version:**

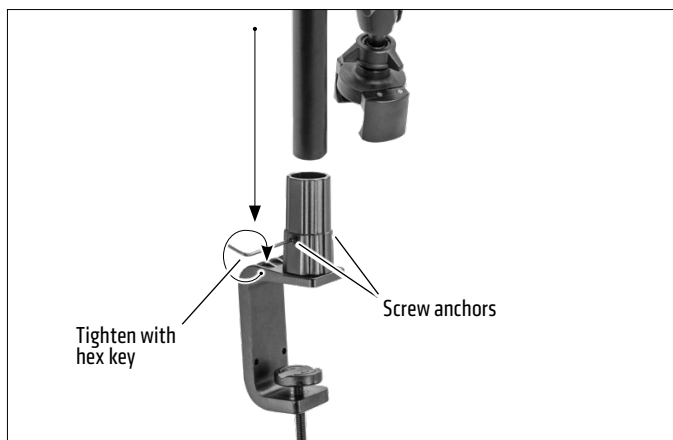
**1** Lower pole, then secure the pole and arm by tightening adjustment knobs to prevent injury.



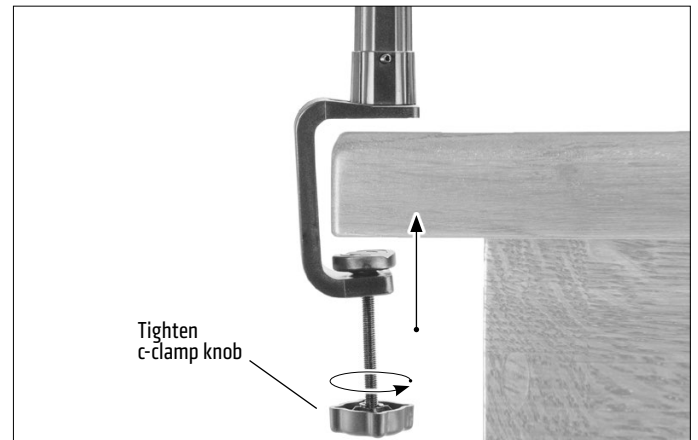
**2** Loosen the screw anchor at the base of the stand and remove the extendable pole from the stand.



**3** Insert pole into the collar of the clamp and secure both screw anchors with hex key.



**4** Attach mount to surface by tightening C-clamp knob.



**Safety Precautions**

Arkon Resources, Inc. is not responsible for any damages caused to your device or yourself due to the installation or use of this mount.

**ARKON MOUNTS**

Consumer Hotline:  
**USA** (800) 841-0884  
**INT'L** (626) 254-9005  
 Monday - Friday 9 am - 5 pm, PST

[www.arkon.com](http://www.arkon.com)  
 Arcadia, CA 91006 USA  
 Designed in USA | Made in Taiwan and USA  
 © Copyright 2019 Arkon Resources, Inc.