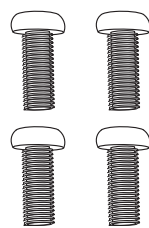


NUTS



SCREWS

Includes:

- 1 – Large Barcode Scanner Gun Holster Holder
- 4 – Nuts (M5-0.8 DIN 934 Steel Nylock Hex Nut)
- 4 – Screws (M5 x 18mm Pan Head Philips Machine Screw)

1

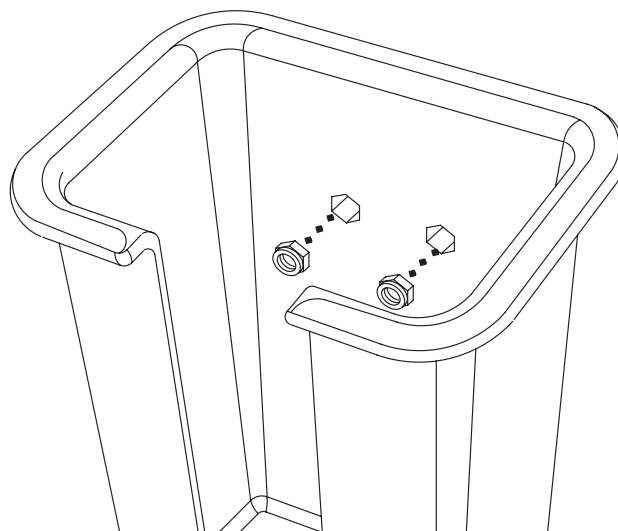
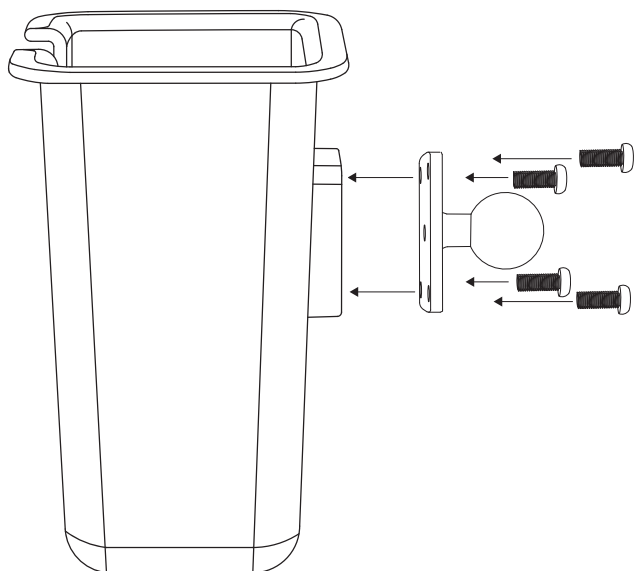
Attach an AMPS compatible component to the holder

Position an AMPS compatible component (not included) on the rear of the holster holder, ensuring alignment. Secure the mounting pattern by utilizing the provided hardware.

2

Installing the Nuts in the Holster

Put the nuts into the holster. Turn the screws clockwise to fasten them. Complete the installation by using a screwdriver to tighten the screws.



WARNING

CHOKING HAZARD - Keep out of reach from children under 8 yrs. as they can choke or suffocate on parts included with this system

WARNING

Arkon® is not responsible for any damages caused to your device or yourself due to the installation or use of this mount. Do not install Arkon® products near areas that interfere with operation of vehicles. Arkon® assumes no responsibility or liability for injury or death as a result of failure to install in a safe location. Arkon® is not responsible for any damages caused to vehicles, product, or people due to the installation or use of this product.

