

SPMAGS01

Includes:

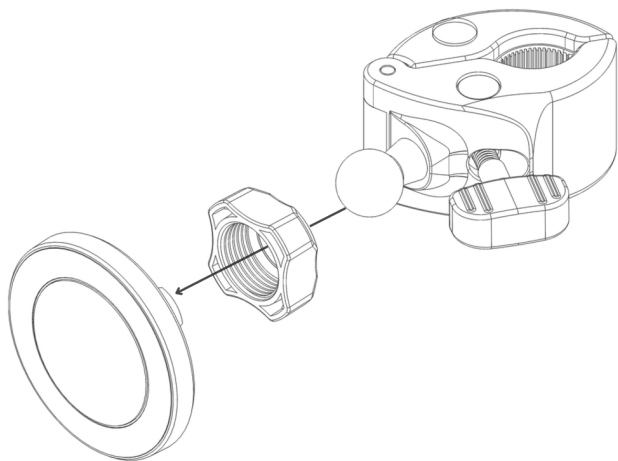
- 1 - MagSafe Magnet Adapter with Tightening Ring
- 1 - Adhesive Magnetic Ring - Optional

Important: Clean the application surface before applying the optional magnetic ring

Important: If using the optional magnetic ring, please press the adhesive back side to the application surface firmly. Allowing 24 hours for the adhesive to cure before using.

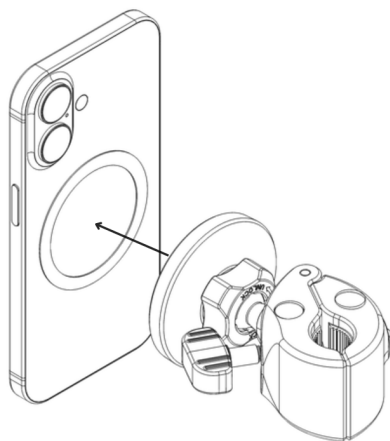
1 Attach the Components

Position the tightening ring over a 17mm ball adapter. Insert the magnetic holder into an compatible adapter. Secure the connection by tightening the ring in place.



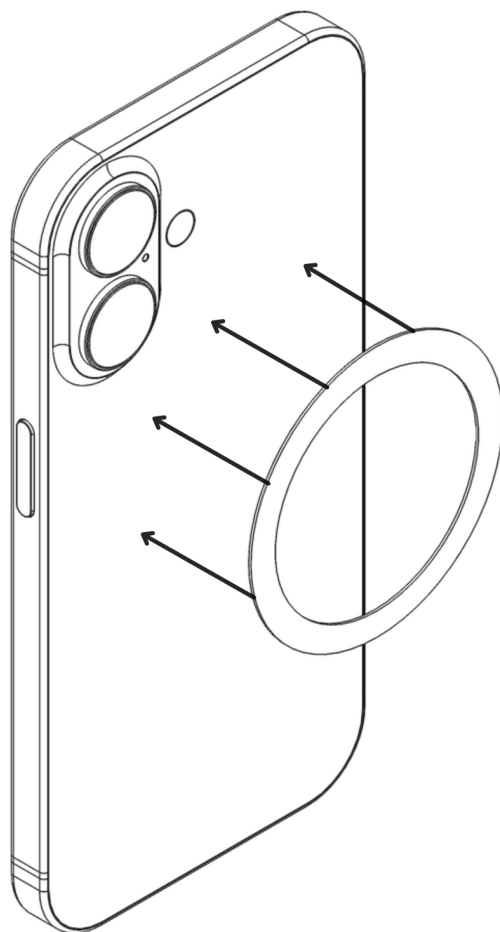
3 Mounting Your Phone on the Holder

Ensure the magnetic ring of your MagSafe compatible device is aligned with the holder for a secure fit.



2 Optional - Installing the Magnetic Ring on Your Device

To attach the adhesive magnetic ring to your non-magsafe smartphone case, just remove the yellow sticky side and apply to the back of your device.



WARNING

CHOKING HAZARD - Keep out of reach from children under 8 yrs. as they can choke or suffocate on parts included with this system

WARNING

Arkon® is not responsible for any damages caused to your device or yourself due to the installation or use of this mount. Do not install Arkon® products near areas that interfere with operation of vehicles. Arkon® assumes no responsibility or liability for injury or death as a result of failure to install in a safe location. Arkon® is not responsible for any damages caused to vehicles, product, or people due to the installation or use of this product.

