

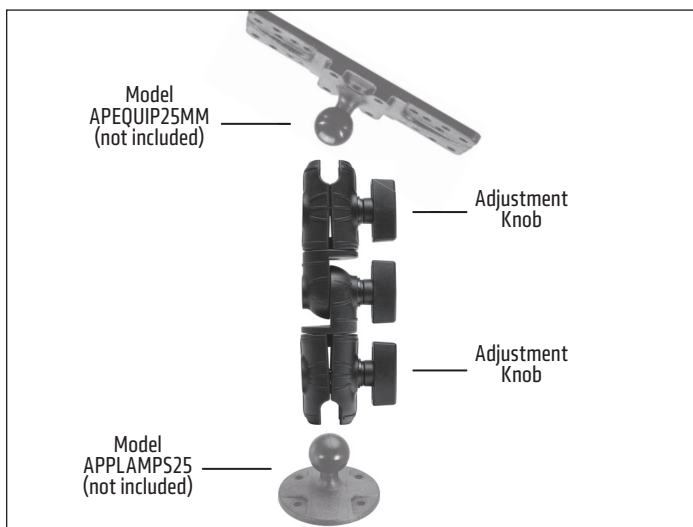


SPRMSRA

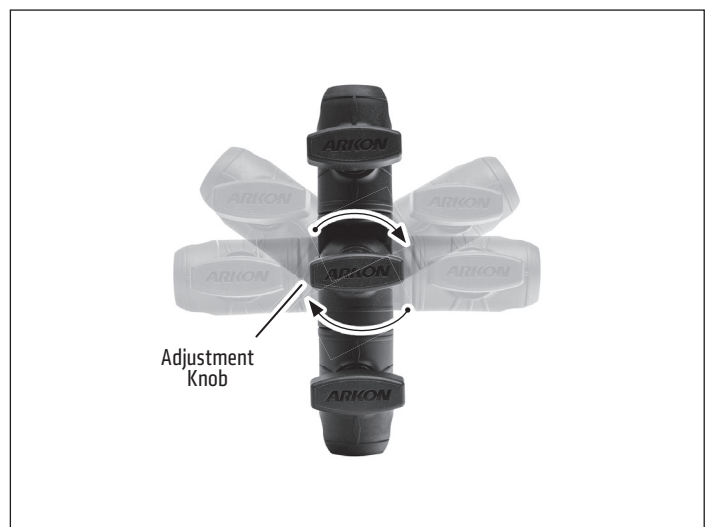
Package Contents:

SPRMSRA – 6 inch Robust Ratcheting Swivel Shaft Arm

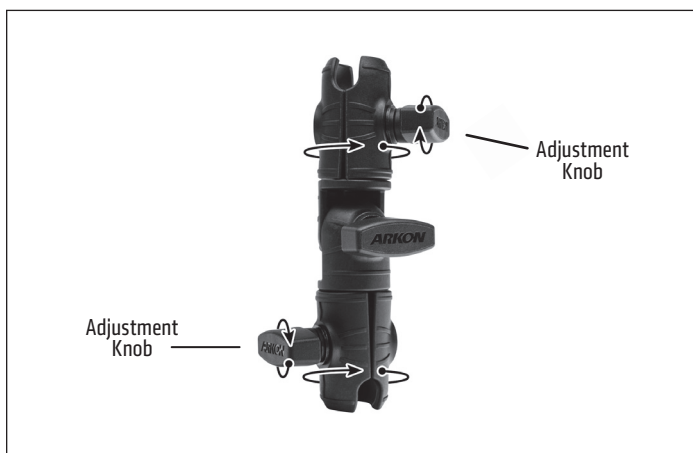
- 1 Attach any 25mm (1 inch) compatible base, adapter or holder (not included, sold separately) to the Robust ratcheting swivel shaft arm by loosening adjustment knobs at top and bottom to desired position. Retighten knobs to set.



- 2 To adjust the angle of the Robust ratcheting swivel shaft arm, loosen the center adjustment knob. The ratcheting teeth support up to 180° of movement. Retighten the knob to set the desired angle.



- 3 To swivel arm, loosen the top and bottom adjustment knobs to the desired position. Retighten knobs to set.



! Safety Precautions

Do not install Arkon products over an air bag cover or within the air bag deployment zone. Arkon Mounts assumes no responsibility of liability for injury or death as a result of car crashes and / or air bag deployment.

Arkon is not responsible for any damages caused to your vehicle, your device, your passengers, or yourself due to the installation or use of this mount.

ARKON MOUNTS

Consumer Hotline:

USA (800) 841-0884

INT'L (626) 254-9005

Monday - Friday 9am - 5pm, PST

www.arkon.com

Arcadia, CA 91006 USA

Designed in USA | Made in China

© Copyright 2022 Arkon Resources, Inc.