



SPSB4P22M

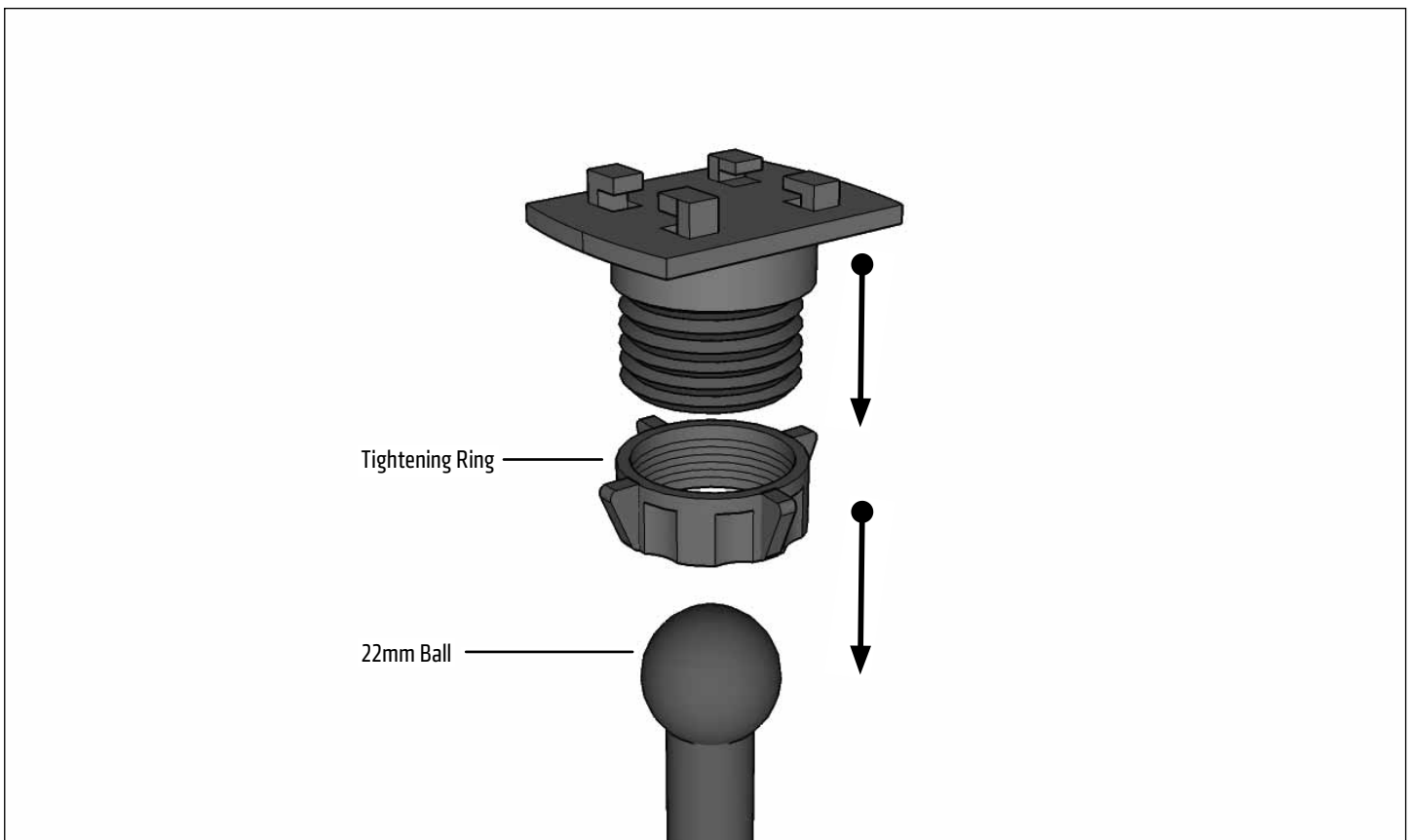
Package Contents:

SPSB4P22M – 4-Prong to 22mm Adapter

Compatibility: 4-Prong HR iGRIP® Holders*SPSB4P22M can also be used with 22mm Arkon pedestals, including:*

- CM117-SBH (Rigid Extension Windshield Suction Mounting Pedestal with Telescoping Arm)
- GN088-SBH (Seat Rail or Floor Mounting Pedestal with 15" Flexible Gooseneck)
- GN088-L22-SBH (Seat Rail or Floor Mounting Pedestal with 22" Flexible Gooseneck)
- HM003-SBH (Headrest Mount with Rigid Extension Arm)
- HM002-SBH (Universal Headrest Mount)

- 1 Slide tightening ring (not included) over a compatible 22mm ball. Snap adapter over the mount's ball and tighten ring.

**Safety Precaution**

Arkon Resources, Inc. is not responsible for any damages caused to your vehicle or yourself due to the installation of this product.

ARKON
RESOURCES INC.

The Mobile Mounting Specialists™

Consumer Hotline:

USA (800) 841-0884

INT'L (626) 254-9005

Monday - Friday 9 am - 5 pm, PST

www.arkon.com

Arcadia, CA 91006 USA

Designed in USA | Made in Taiwan

© Copyright 2015 Arkon Resources, Inc.