

Includes:

- 4 – Short Support Legs
- 2 – Medium Support Legs
- 4 – Long Support Legs

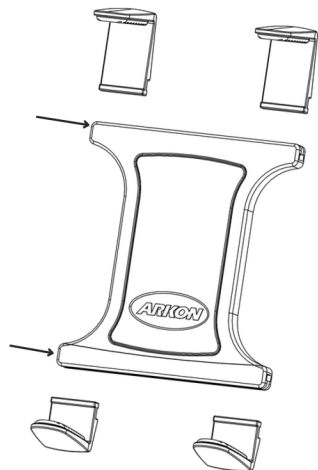
Leg selection guide

Recommended legs to use based on tablet with or without a case

- For tablets size min 6" to 8.25" max we recommend using 4 small legs
- For tablets size min 6.75" to 9.12" max we recommend using 2 small legs and 2 medium legs
- For tablets size min 8.31" to 10.75" max we recommend using 2 medium legs and 2 large legs
- For tablets size min 9.12" to 11.50" max we recommend using 4 large legs

1 Installing the legs to the holder

Install the support legs required based on the recommendations listed above. Slide the support legs into the holder's support leg channels.



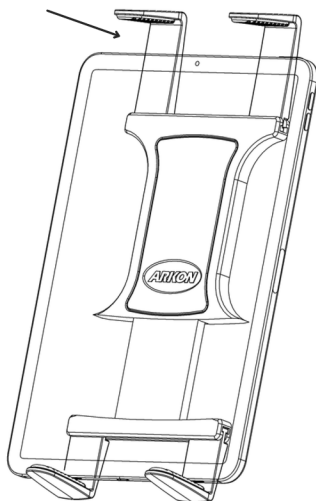
2 Extend the spring-loaded mechanism

To extend the legs, insert one end of the tablet into the bottom support legs.



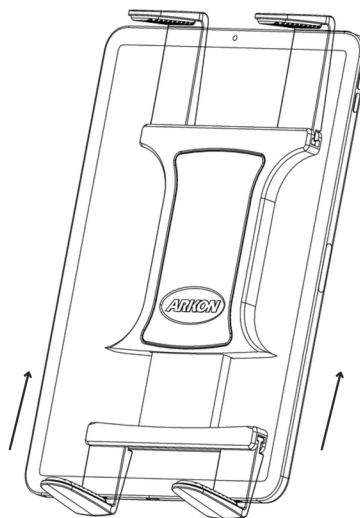
3 Install the tablet

With the holder's spring-loaded support legs expanded, lay the tablet flat on the holder.



4 Release the tablet to secure

Gently release the tablet into the holder, allowing the bottom spring-loaded support legs to secure the tablet.



WARNING

CHOKING HAZARD - Keep out of reach from children under 8 yrs. as they can choke or suffocate on parts included with this system

WARNING

Arkon® is not responsible for any damages caused to your device or yourself due to the installation or use of this mount. Do not install Arkon® products near areas that interfere with operation of vehicles. Arkon® assumes no responsibility or liability for injury or death as a result of failure to install in a safe location. Arkon® is not responsible for any damages caused to vehicles, product, or people due to the installation or use of this product.

