

**Includes:**

- 2 – Short Support Legs
- 2 – Long Support Legs

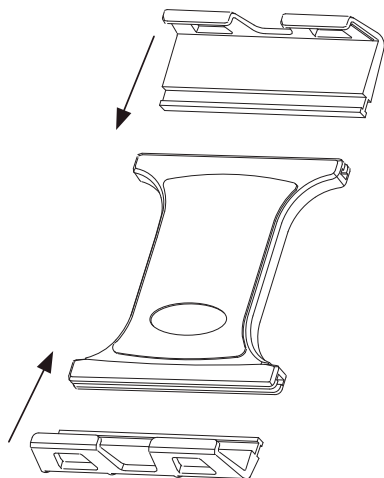
**Leg selection guide**

Recommended legs to use based on tablet size with or without a case

- For tablets size **min 6.56" to max 8.94"** we recommend using 2 small legs
- For tablets size **min 7.03" to 9.50" max** we recommend using 1 long leg and 1 small leg
- For tablets size **min 9.50"** we recommend using 2 long legs

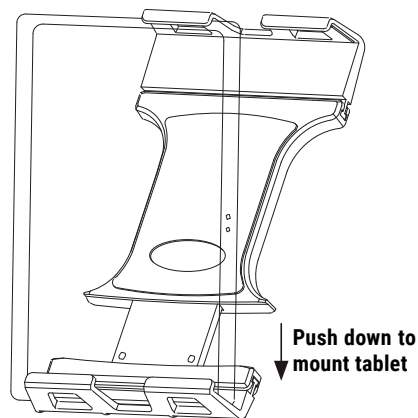
**1 Installing the legs to the holder**

Install the support legs required based on the recommendations listed above. Slide the support legs into the holder's support leg channels.



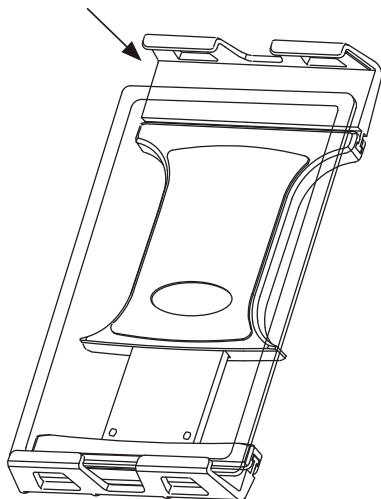
**2 Extend the spring-loaded mechanism**

To extend the legs, insert one end of the tablet into the bottom support legs.



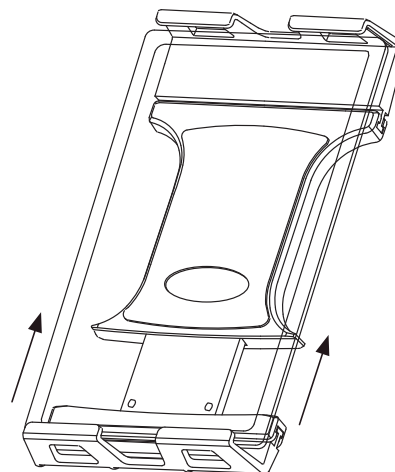
**3 Install the tablet**

With the holder's spring-loaded support legs expanded, lay the tablet flat on the holder.



**4 Release the tablet to secure**

Gently release the tablet into the holder, allowing the bottom spring-loaded support legs to secure the tablet.



**WARNING**

CHOKING HAZARD - Keep out of reach from children under 8 yrs. as they can choke or suffocate on parts included with this system

**WARNING**

Arkon® is not responsible for any damages caused to your device or yourself due to the installation or use of this mount. Do not install Arkon® products near areas that interfere with operation of vehicles. Arkon® assumes no responsibility or liability for injury or death as a result of failure to install in a safe location. Arkon® is not responsible for any damages caused to vehicles, product, or people due to the installation or use of this product.

