

## Includes:

- 2 – Short Support Legs
- 2 – Long Support Legs
- 1 – Extra Long Support Leg

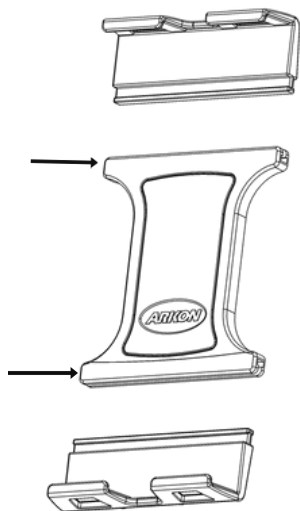
## Leg Selection Guide

Choose the appropriate legs based on your tablet size, with or without a case:

- Tablets (approximately 6.37" to 8.81") - Use 2 small legs.
- Tablets (approximately 7.12" to 9.25") - Use 1 long leg and 1 small leg.
- Tablets (approximately 7.62" to 10") - Use 2 long legs.
- Tablets (approximately 8.75" to 11.12") - Use 1 long leg and 1 extra long leg.

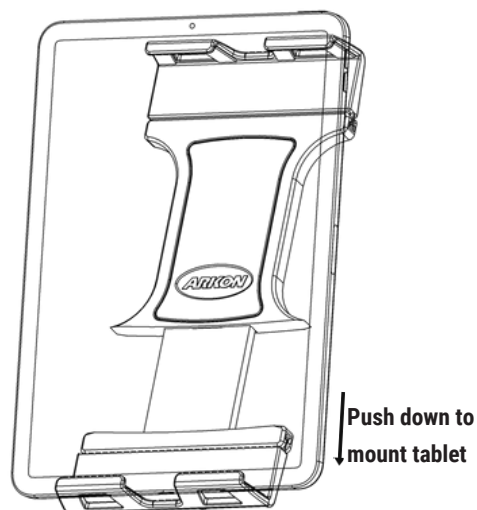
### 1 Installing the legs to the holder

Install the support legs required based on the recommendations listed above. Slide the support legs into the holder's support leg channels.



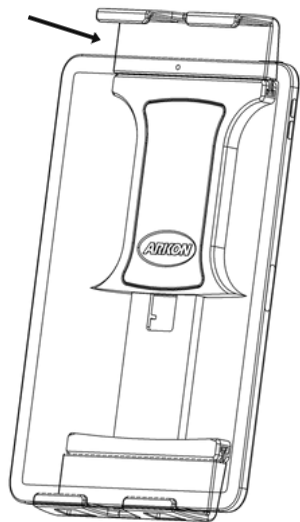
### 2 Extend the spring-loaded mechanism

To extend the legs, insert one end of the tablet into the bottom support legs.



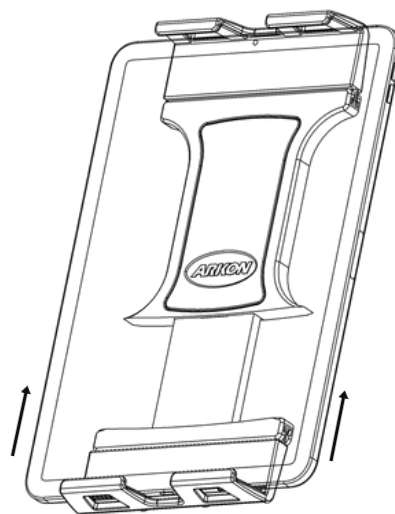
### 3 Install the tablet

With the holder's spring-loaded support legs expanded, lay the tablet flat on the holder.



### 4 Release the tablet to secure

Gently release the tablet into the holder, allowing the bottom spring-loaded support legs to secure the tablet.



#### WARNING

CHOKING HAZARD - Keep out of reach from children under 8 yrs. as they can choke or suffocate on parts included with this system

#### WARNING

Arkon® is not responsible for any damages caused to your device or yourself due to the installation or use of this mount. Do not install Arkon® products near areas that interfere with operation of vehicles. Arkon® assumes no responsibility or liability for injury or death as a result of failure to install in a safe location. Arkon® is not responsible for any damages caused to vehicles, product, or people due to the installation or use of this product.

