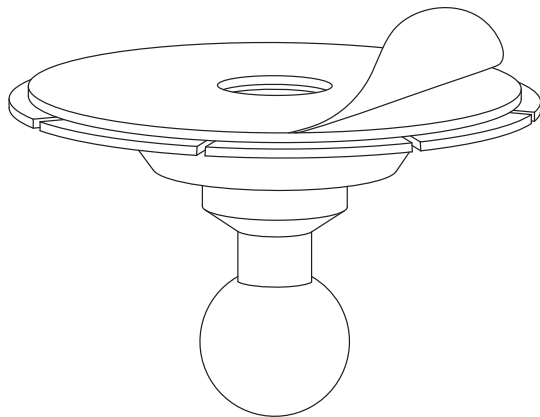


## Includes:

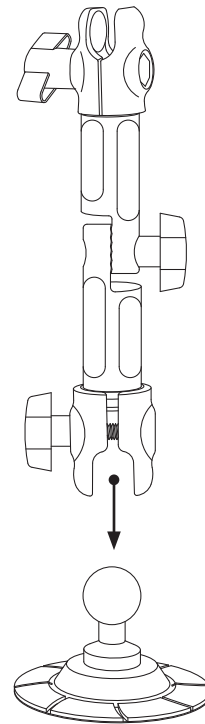
- 1 - Manual
- 1 - VHB to 20mm Aluminum Ball Adapter

*Important: Clean the application surface and make sure it is free of dirt, dust, and grease before installing the mounting hardware.*

- 1 Remove the protective film from the mounting base**  
Open the packaging to find the VHB to 20mm ball adapter. Remove the red protective film from the mounting base without damaging the adhesive. Now, the mounting base is ready to be securely attached to the surface.



- 2 Install the VHB to 20mm Aluminum Ball Adapter onto the dashboard**  
After firmly pressing the mounting base onto the dashboard to ensure a secure attachment, give the adhesive 24 hours to cure before attempting to attach any suction mounts to the disk. Once the adhesive has fully cured, you can place your HD arm onto the ball side of the adapter and adjust it to the desired position.



**WARNING**  
CHOKING HAZARD - Keep out of reach from children under 8 yrs. as they can choke or suffocate on parts included with this system

**WARNING**  
Arkon® is not responsible for any damages caused to your device or yourself due to the installation or use of this mount. Do not install Arkon® products near areas that interfere with operation of vehicles. Arkon® assumes no responsibility or liability for injury or death as a result of failure to install in a safe location. Arkon® is not responsible for any damages caused to vehicles, product, or people due to the installation or use of this product.

