

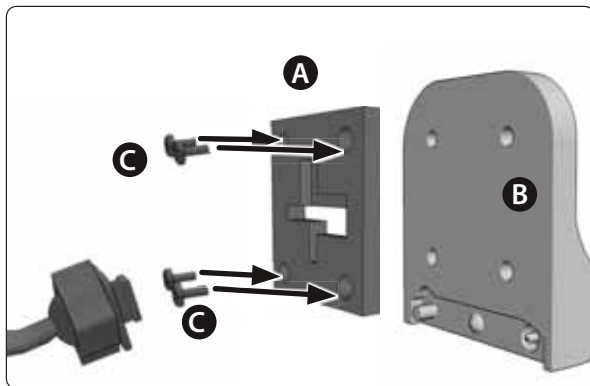
**Package Contents:**

- (1) GN015-SBH-1B – Mini Windshield Suction Mount
- (1) AP012 – 2-Way Single T-Slot to 4-Hole AMPS Adapter Plate
- (1) AP013 – Adhesive Dashboard Disk

Do not place mount in or near an air bag deployment zone or where it will obstruct view of the road.

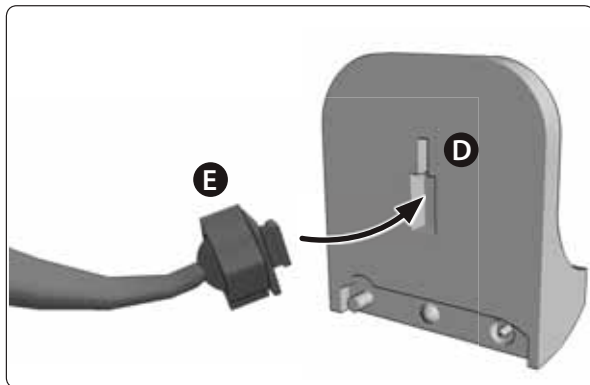
**Adapter Plate Instructions (for Sirius receivers only)**

Secure the adapter plate (A) to the Sirius device cradle (B) by using a screwdriver to secure adapter plate with screws (C) in the cradle.



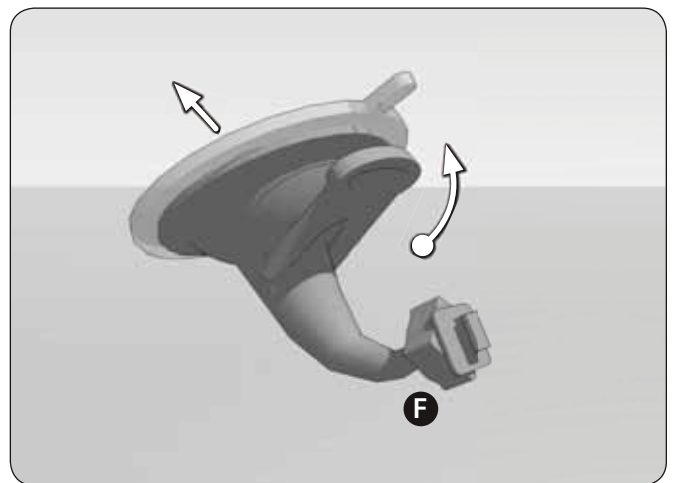
**XM Receiver Attachment**

Attach the XM device cradle (D) directly to the pedestal head (E) by inserting the T-Tab into the T-Slot of the XM device.



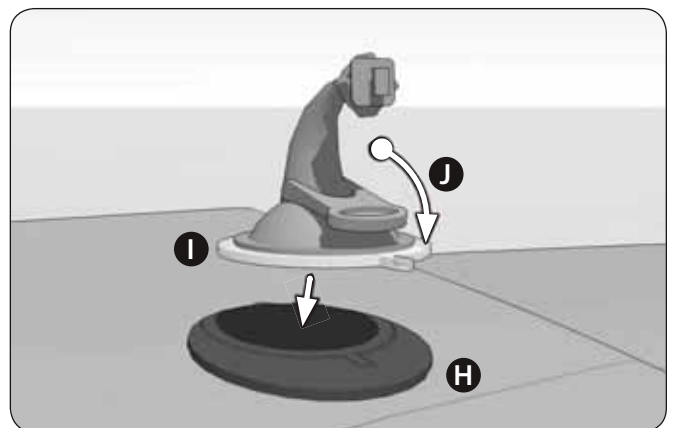
**Pedestal Adjustment Instructions**

Push the pedestal suction cup firmly to the windshield. Flip the lever (F) down to secure the suction cup.



**Dash Installation**

Locate a safe flat surface on the dash or concole to mount the pedestal. Clean the dash with the alcohol pad provided. Let the dash surface dry before applying the adhesive disk (H). Push the pedestal suction cup base (I) firmly to the disk. Flip the lever (J) down to secure the suction cup to the disk.



**Safety Precautions**  
Do not install Arkon products over an air bag cover or within the air bag deployment zone. Arkon Resources, Inc. assumes no responsibility of liability for injury or death as a result of car crashes and / or air bag deployment.  
Arkon is not responsible for any damages caused to your car, your device, or yourself due to the installation or use of this pedestal mount.

**ARKON**  
RESOURCES INC.

The Mobile Mounting Specialists™

Consumer Hotline:  
USA (800) 841-0884  
INT'L (626) 254-9005  
Monday - Friday 9 am - 5 pm, PST

[www.arkon.com](http://www.arkon.com)  
Arcadia, CA 91006 USA  
Designed in USA | Made in China  
© Copyright 2016 Arkon Resources, Inc.