

**Package Contents:**



CM088-G17  
15" Flexible Floor  
Satellite Radio Mount

AP012 2-Way Single  
T-Slot to 4-Hole AMPS  
Adapter Plate

**Permanent Floor / Console Mounting (Optional)**

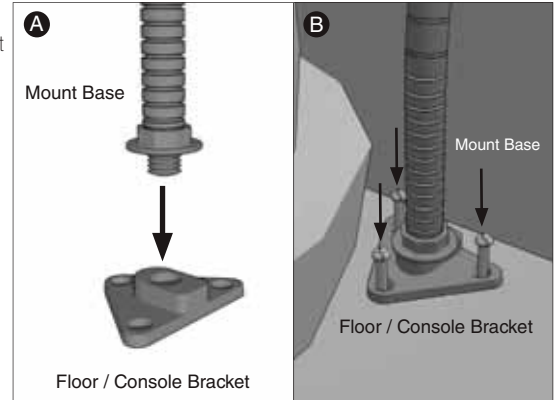
For permanent mounting, connect the Floor / Console Mount to the floor or console. This will require drilling into your vehicle's interior surface.

**Fig. A** Attach the triangular mount bracket to the Mount Base.

**Fig. B** Attach the Floor / Console Bracket with to the floor or console with screws.

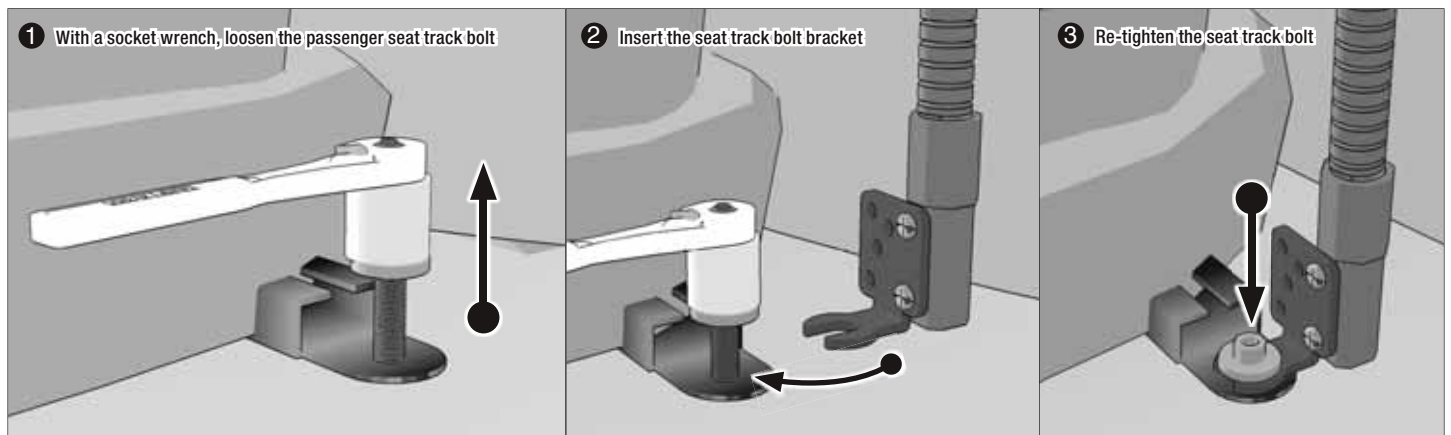


Drilling into the dash, floor, or console will permanently damage the vehicle. Use caution and consult a mobile install professional to avoid drilling into the gas tank, electrical system or other highly sensitive vehicle components.



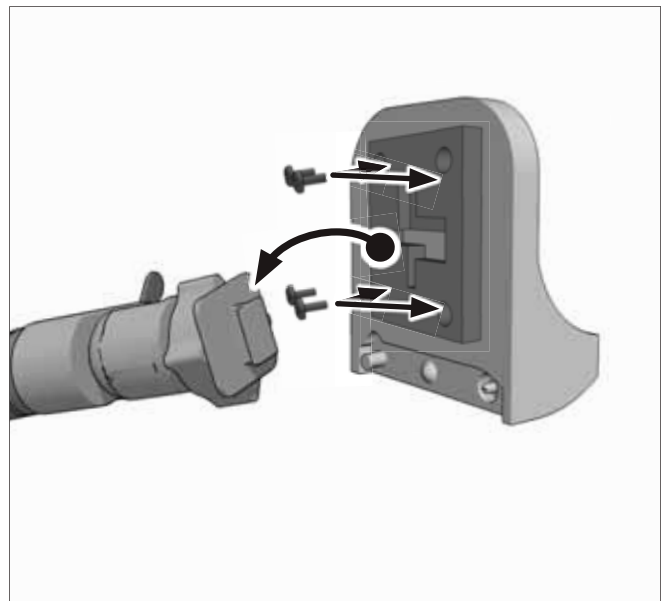
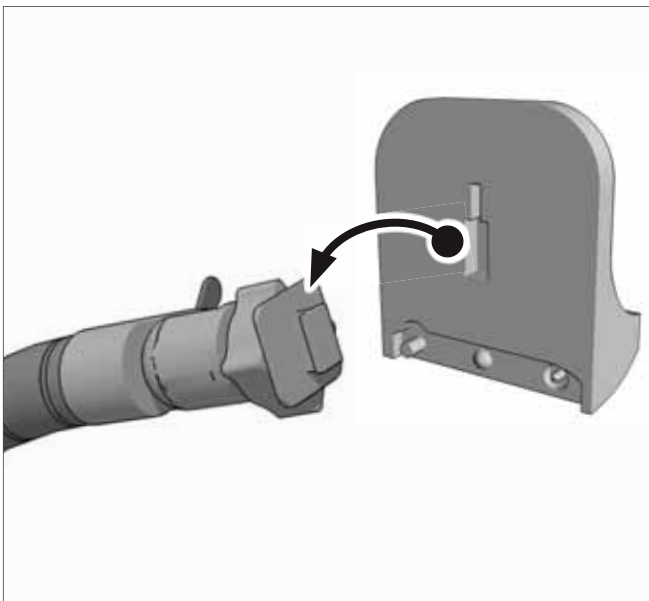
**Passenger Seat Bolt Mounting**

For a simple mount that can be easily moved to another vehicle, install using the passenger seat track bolt.



**2** XM Receivers: Attach XM holder to the mount.

**3** Sirius Receivers: Screw adapter plate to Sirius holder and attach to mount.



**Safety Precautions**

Do not install Arkon products over an air bag cover or within the air bag deployment zone. Arkon Resources, Inc. assumes no responsibility of liability for injury or death as a result of car crashes and/or air bag deployment.

Arkon is not responsible for any damages caused to your car, your device, or yourself due to the installation or use of this pedestal mount.