

Package Contents:

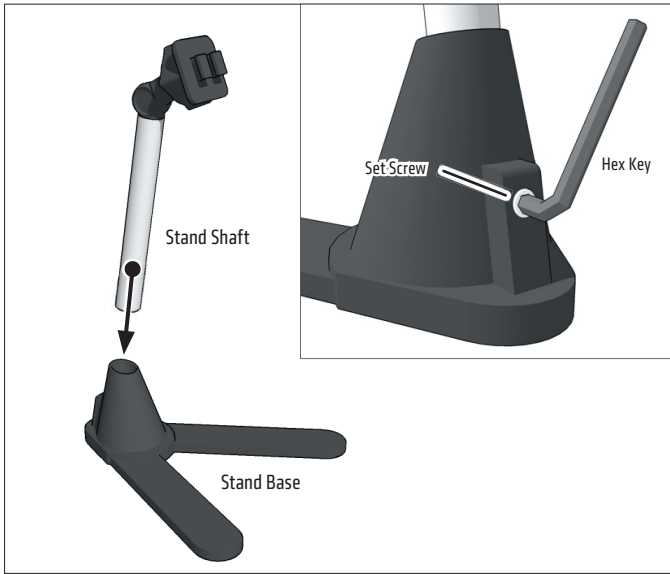
STAND200
10" Tablet Stand



TAB003
Tablet Holder with
Adjustable Grip Arm



1 Insert Stand Shaft into Stand Base, secure with Set Screw and hex key



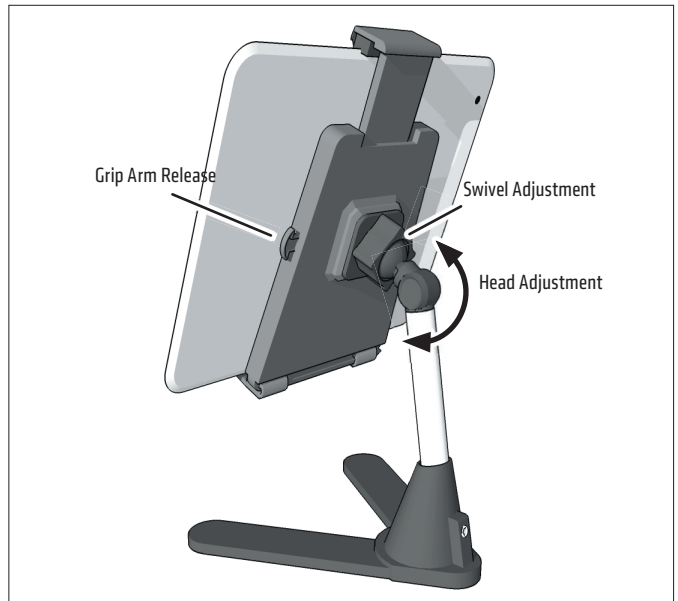
2 Attach Holder to the Stand Head



3 Place tablet on support legs, push down firmly on Grip Arm to hold tablet



4 Adjust the mount to desired position; release tablet by pushing the Grip Arm Release



Safety Precautions

Arkon is not responsible for any damages caused to your device or yourself due to the installation or use of this tablet stand.

ARKON® MOUNTS

Consumer Hotline:

USA (800) 841-0884

INT'L (626) 254-9005

Monday - Friday 9 am - 5 pm, PST

www.arkon.com

Arcadia, CA 91006 USA

Designed in USA | Made in Taiwan

© Copyright 2021 Arkon Resources, Inc.