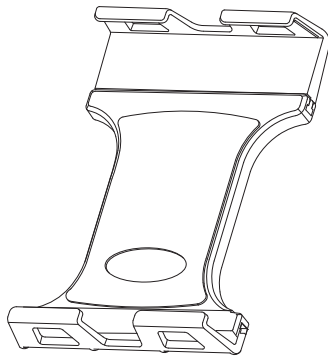


TAB006 / TAB006AMPS



Includes:

- 1 – Manual
- 1 – Tablet Holder
- 4 – M4 x 10mm Screws (TAB006AMPS only)
- 2 – Long Support Leg
- 2 – Short Support Legs

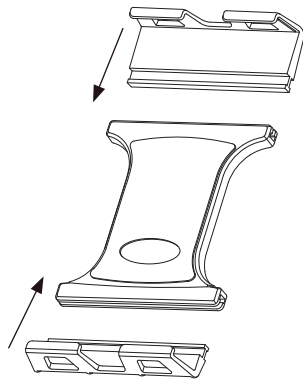
Leg selection guide

Recommended legs to use based on tablet size with or without a case

- For tablets size *min 6.56" to max 8.94"* we recommend using 2 small legs
- For tablets size *min 7.03" to 9.50" max* we recommend using 1 long leg and 1 small leg

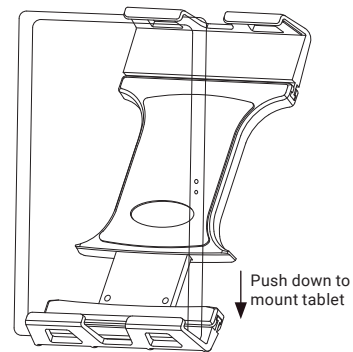
1 Installing the legs to the holder

Locate the packaging containing the holder and legs. Install the support legs required based on the recommendations listed above. Slide the support legs into the holder's support leg channels.



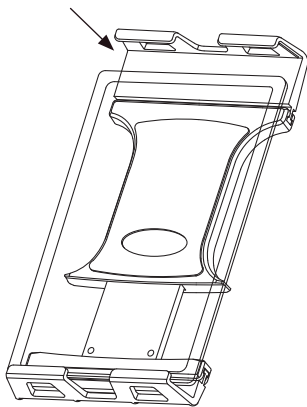
2 Extend the spring-loaded mechanism

To extend the legs, insert one end of the tablet into the bottom support legs.



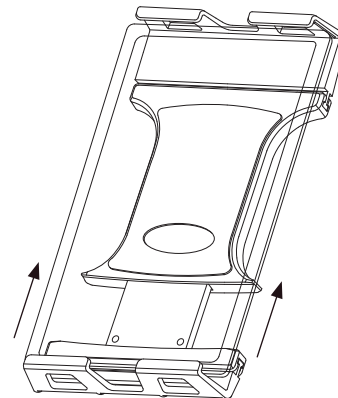
3 Install the tablet

With the holder's spring-loaded support legs expanded, lay the tablet flat on the holder.



4 Release the tablet to secure

Gently release the tablet into the holder, allowing the bottom spring-loaded support legs to secure the tablet.



WARNING

CHOKING HAZARD - Keep out of reach from children under 8 yrs. as they can choke or suffocate on parts included with this system

WARNING

Arkon® is not responsible for any damages caused to your device or yourself due to the installation or use of this mount. Do not install Arkon® products near areas that interfere with operation of vehicles. Arkon® assumes no responsibility or liability for injury or death as a result of failure to install in a safe location. Arkon® is not responsible for any damages caused to vehicles, product, or people due to the installation or use of this product.

