



GN086-22-SBH



TAB001

**Includes:**

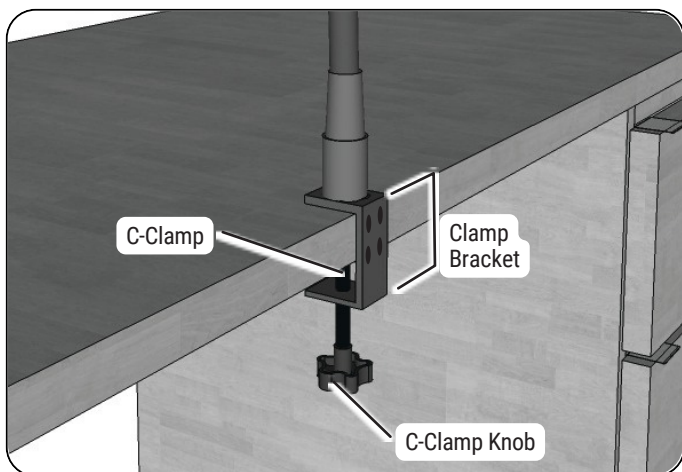
- 1 - Slim-Grip® Tablet Holder Kit (TAB001)
- 1 - Aluminum Mounting Pedestal with 22" Gooseneck (GN086-22-SBH)

Optional - (1) Rubber Clamp Boot

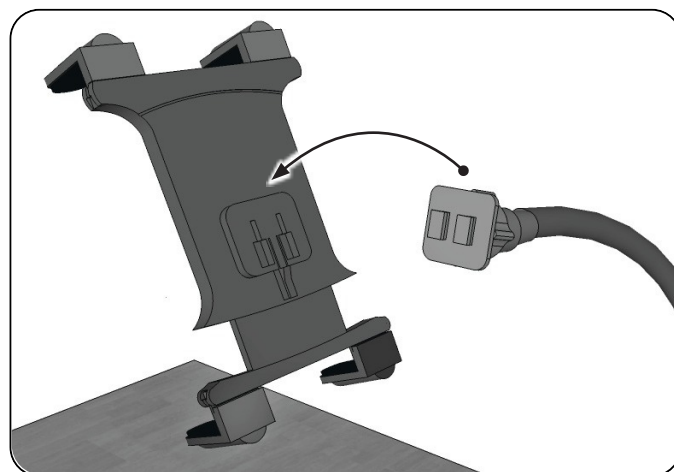
Clamp opening: 0" - 3" (0mm - 76mm)

**IMPORTANT:** Select the appropriate short or long support legs and install to holder. For large devices, select 4 long support legs.

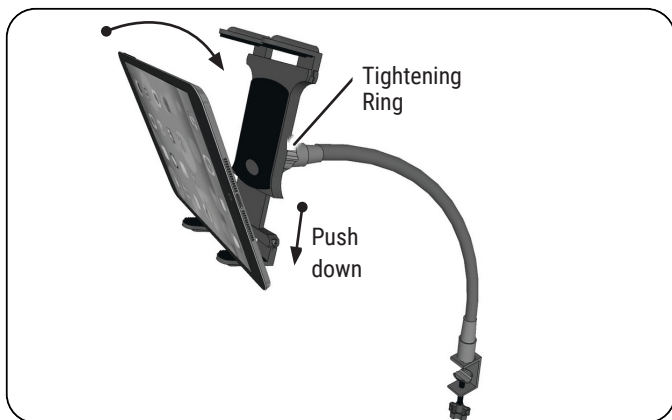
- 1 Attach the pedestal clamp by turning the C-clamp knob. Use a Phillips screwdriver to adjust the clamp bracket position if needed. For added protection against scratches, slide the optional rubber clamp boot onto the top of the mount's clamp.



- 2 Attach the Slim-Grip Universal Tablet holder by inserting the Dual T-Tabs on the pedestal head into the Dual T-Slots of the holder.



- 3 To insert the tablet, position it on the two lower legs and press down on the spring-loaded base of the holder. Adjust the position and angle by loosening the tightening ring, then tighten it again to secure the tablet in place.



**WARNING**

CHOKING HAZARD - Keep out of reach from children under 8 yrs. as they can choke or suffocate on parts included with this system

**WARNING**

Arkon® is not responsible for any damages caused to your device or yourself due to the installation or use of this mount. Do not install Arkon® products near areas that interfere with operation of vehicles. Arkon® assumes no responsibility or liability for injury or death as a result of failure to install in a safe location. Arkon® is not responsible for any damages caused to vehicles, product, or people due to the installation or use of this product.

