



TAB086

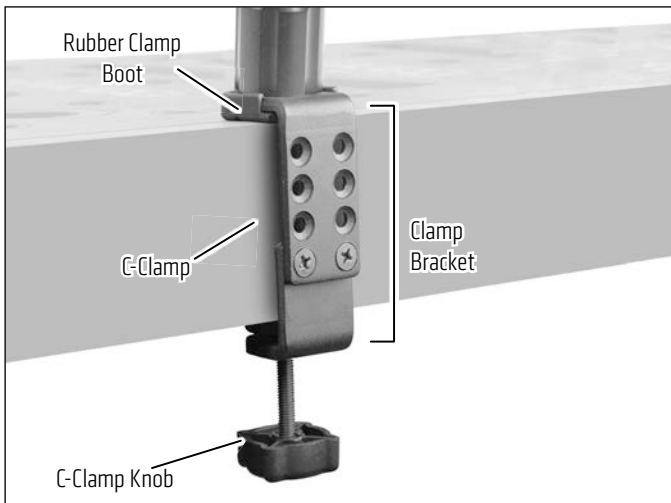
Package Contents:

TAB086 – 4" Heavy-Duty Adjustable C-Clamp Tablet Mount

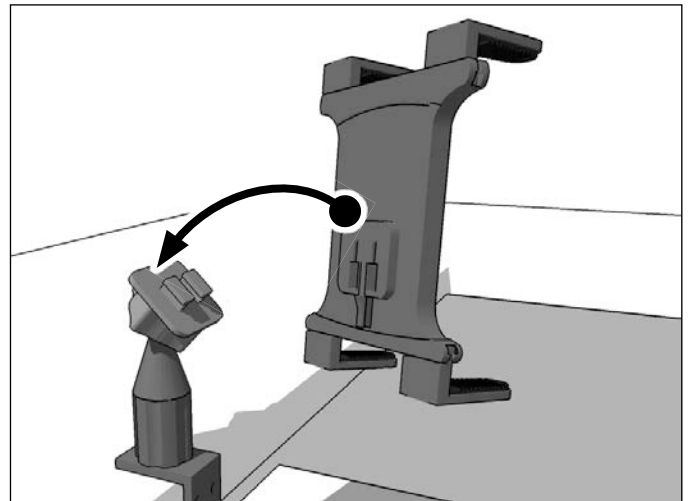
Clamp opening: 0" - 3" (0mm - 76mm)

IMPORTANT: The Slim-Grip® Universal Tablet Holder fits all tablets with 7" - 18.4" screen size. It includes 4 short, 2 medium, and 4 long support legs. Select a combination of 4 support legs in conjunction for use with the spring-loaded holder to achieve the perfect fit for your tablet.

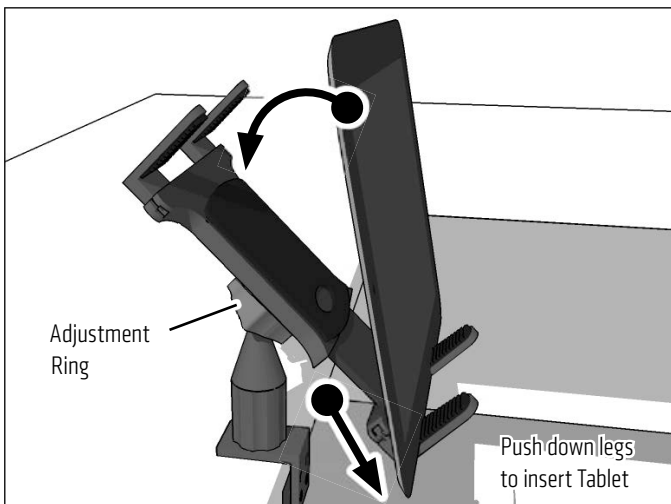
- 1** Attach pedestal clamp by turning the C-clamp knob; adjust the clamp bracket position if necessary with a Phillips screwdriver.



- 2** Insert the tablet holder's Dual T-Slots into the mount's Dual T-Tab head.



- 3** Insert tablet by pushing down on lower legs of the tablet holder.



⚠ Safety Precautions
Do not install Arkon products over an air bag cover or an air bag deployment zone. Arkon Resources, Inc. is not responsible and assumes no liability for injury or death as a result of a car crash and/or air bag deployment.

Arkon is not responsible for any damages caused to your device or yourself due to the installation or use of this product.

ARKON MOUNTS

Consumer Hotline:

USA (800) 841-0884

INT'L (626) 254-9005

Monday - Friday 9 am - 5 pm, PST

www.arkon.com

Arcadia, CA 91006 USA

Designed in USA | Made in Taiwan

© Copyright 2021 Arkon Resources, Inc.