




**Package Contents:**

- (1) **TAB001** – Slim-Grip® Universal Tablet Holder
- (1) **CM078-SBH** – Multi-Surface Removable Sticky Suction Mount
- (1) **AP020** – Adhesive Dash Mounting Disk

**DASHBOARD MOUNTING WARNING:** The sticky suction pedestal SHOULD NOT be used on some types of dashboards. It may leave a PERMANENT indentation on dashboard surfaces made of soft vinyl, leather, or similar materials. To prevent permanent indentation marks, use the included adhesive mounting disk when mounting on soft dashboard surfaces.

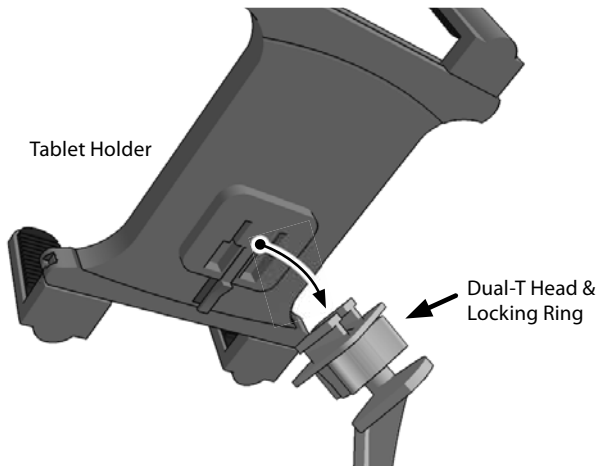
**IMPORTANT:** Install the appropriate size support legs on the holder that will work for your device.

**IMPORTANT:** Some dashboards with heavily textured or porous surfaces may require you to push down on the suction base while engaging the suction lock lever to achieve the suction required to hold the mount in place.

 Do not place mount in or near an air bag deployment zone or where it will obstruct view of the road.

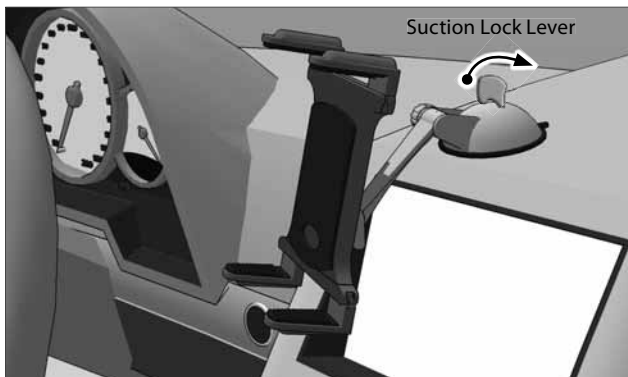
**1 Attach the Holder**

Attach the Dual-T head onto the ball end of the sticky suction mount and secure with the locking ring. Attach the holder to the sticky suction mount by inserting the Dual T-Tabs into the holder's Dual T-Slots, pushing down to lock.



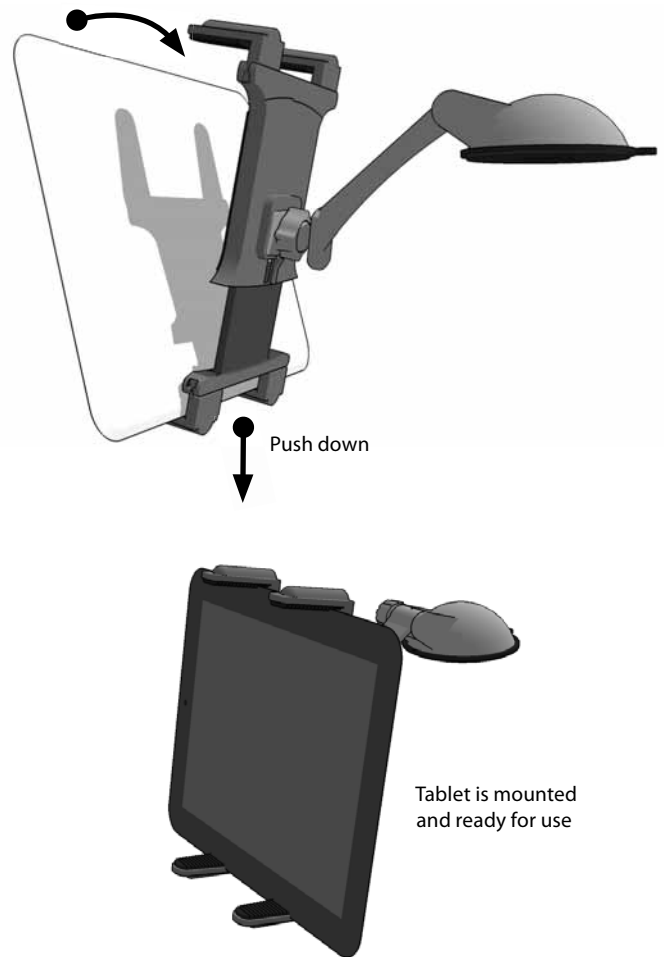
**2 Place the Mount**

Clean the mount area with the included alcohol wipe to remove dust and dirt, and let dry. Remove the protective film from the base of the mount. With the suction lever up, firmly place the mount onto the mount area and flip the lever down to secure the mount.



**3 Mount Your Phone or Device**

Insert tablet into holder by pushing down on the bottom spring-loaded support legs with the tablet. Slide the top of the tablet under the top support legs until it fits snugly in the holder.



 **Safety Precautions**

Do not install Arkon products over an air bag cover or within the air bag deployment zone. Arkon Resources, Inc. assumes no responsibility of liability for injury or death as a result of car crashes and / or air bag deployment.

Arkon is not responsible for any damages caused to your car, your device, or yourself due to the installation or use of this mount.

**ARKON**  
RESOURCES INC.

*The Mobile Mounting Specialists™*

Consumer Hotline:

USA (800) 841-0884

INT'L (626) 254-9005

Monday - Friday 9 am - 5 pm, PST

[www.arkon.com](http://www.arkon.com)

Arcadia, CA 91006 USA

Designed in USA | Made in China

© Copyright 2016 Arkon Resources, Inc.