



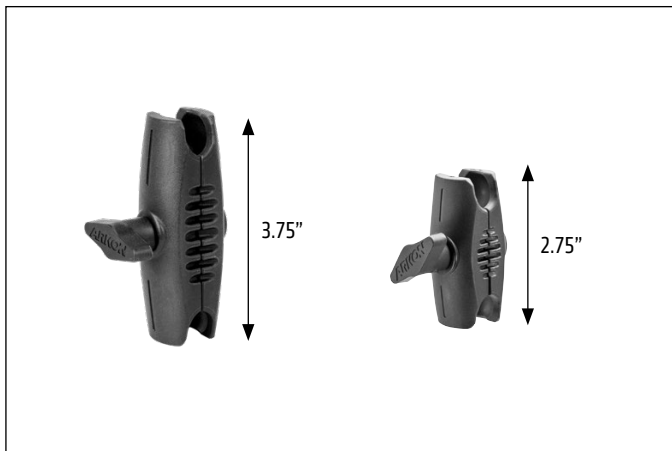
Package Contents:

- (1) TAB001-AMPS – Slim-Grip® Universal Tablet Holder with AMPS Pattern
- (1) CPM01B – Robust Clamp Mount with 25mm Ball
- (1) SP-RM250 – Robust Mount Shaft
- (1) SP-RMS250 – Small Robust Mount Shaft
- (1) APAMPS25MM – 4-Hole AMPS to 25mm Ball Adapter

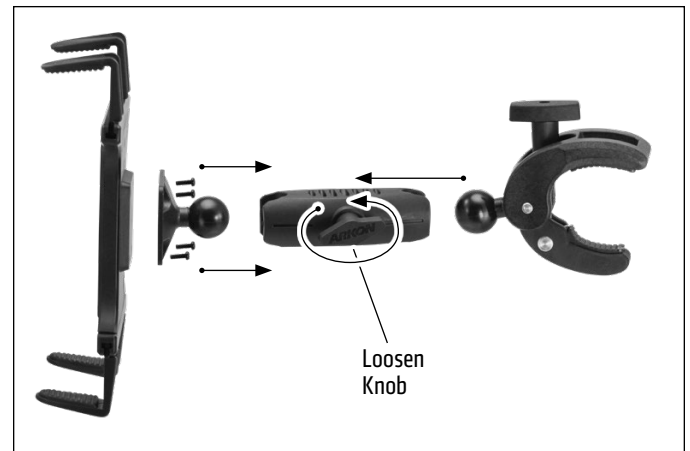
The Slim-Grip® Universal Tablet Holder fits tablets with 7" - 18.4" screen size. It includes 4 short, 2 medium, and 4 long support legs. Select a combination of 4 support legs in conjunction for use with the spring-loaded holder to achieve the perfect fit for your tablet.

IMPORTANT: This is a spring-loaded holder. After selecting and installing the support legs that will fit your tablet, **push down on the lower legs to engage the spring-loaded holder** and mount your device.

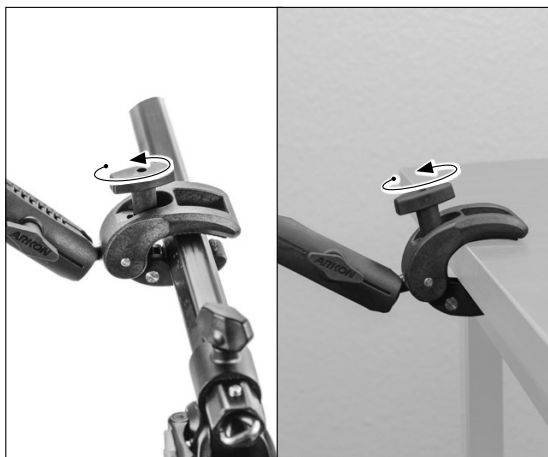
- Select the size of Robust Mount Shaft that will work best for your mounting environment.*



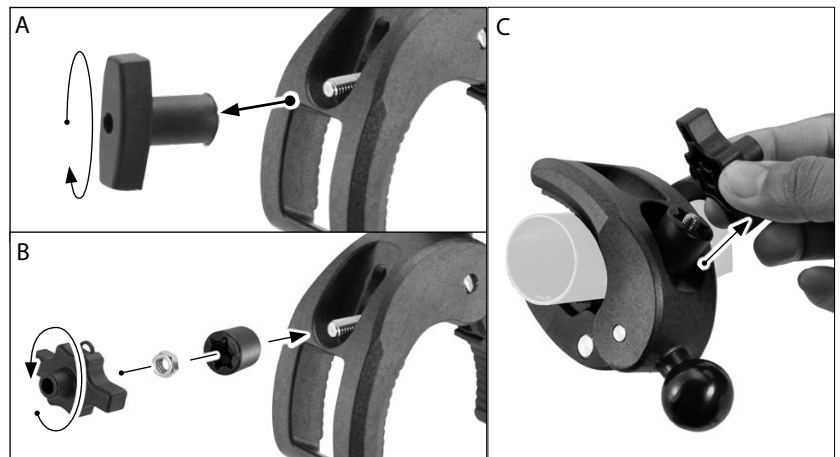
- Loosen the Robust Mount Shaft to attach the tablet holder, adapter, and clamp mount. Tighten to secure.



- Tighten clamp knob to mount to pole or surface.



Optional: To secure the clamp mount: (A) remove the existing knob (B) replace with security kit as shown (C) tighten the clamp with the removable knob key, then remove knob to deter theft.



*To create a custom mount using both Robust Mount Shafts, Arkon recommends Models SP25MM25 (25mm Ball to 25mm Ball Adapter) or Model APT325MM (T-Shaped Adapter with Triple 25mm Ball Pattern).

! Safety Precautions

Arkon is not responsible for any damages caused to you, your passengers, or your device due to the installation or use of this mount.

ARKON MOUNTS

Consumer Hotline:
USA (800) 841-0884
INT'L (626) 254-9005
 Monday - Friday 9 am - 5 pm, PST

www.arkon.com
 Arcadia, CA 91006 USA
 Designed in USA | Made in Taiwan and USA
 © Copyright 2019 Arkon Resources, Inc.