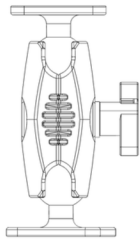


TAB004KL



RMS2XAMPS-MET-SH

Not shown:
CAUSBAC1
CAQCFI
TCT220

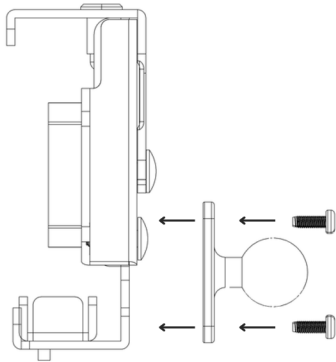
Includes:

- 1 – LockVise™ Metal Locking Tablet Holder Kit (TAB004KL)
- 1 – 4" Drill Base Mount with Security Hardware (RMS2XAMPS-MET-SH)
- 1 – Tablet Case for Galaxy Tab A7 Lite (TCT220)
- 1 – 2-Port Quick Charge and USB-A Install Charger (CAQCFI)
- 1 – USB Type A to USB Type C Cable (CAUSBAC1)

Compatibility: This holder ensures compatibility with a wide range of tablets, including the most popular models, from 7"-10.5" in screen size.

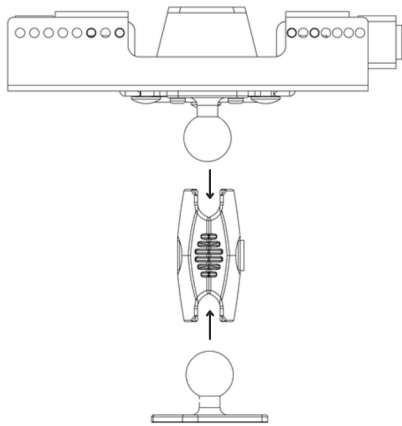
1 Install an AMPS Adapter Plate on the tablet holder

Unscrew one of the adapters from the drill base pedestal by turning the knob counterclockwise. Align the adapter plate at the back of the holder. Insert the four mounting screws through the AMPS 4-hole ball adapter plate and into the holder. Tighten the screws securely to finish the installation.



3 Assemble the components

Rotate the shaft knob counterclockwise to loosen it. Attach the 25mm ball adapters to both ends. After adjusting to your preferred angle, swap the knob with the long screw from the security hardware. Secure the position using the allen wrench.



WARNING

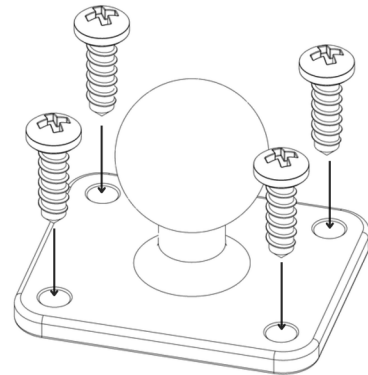
CHOKING HAZARD - Keep out of reach from children under 8 yrs. as they can choke or suffocate on parts included with this system

WARNING

Arkon® is not responsible for any damages caused to your device or yourself due to the installation or use of this mount. Do not install Arkon® products near areas that interfere with operation of vehicles. Arkon® assumes no responsibility or liability for injury or death as a result of failure to install in a safe location. Arkon® is not responsible for any damages caused to vehicles, product, or people due to the installation or use of this product.

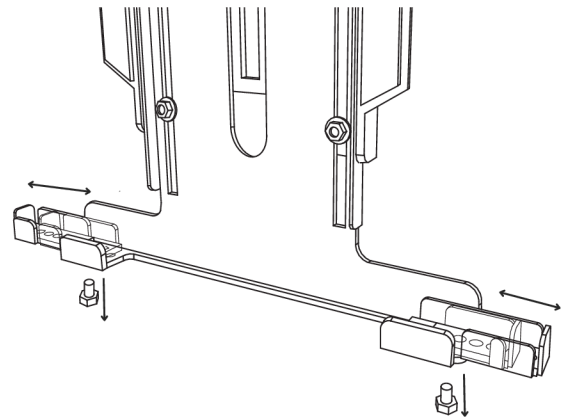
2 Mount Installation

To secure the pedestal to the mounting surface, align the screws (not included) with the AMPS adapter. If necessary, detach the shaft from the adapter to streamline the installation process.



4 Modify the Tablet Holder Width

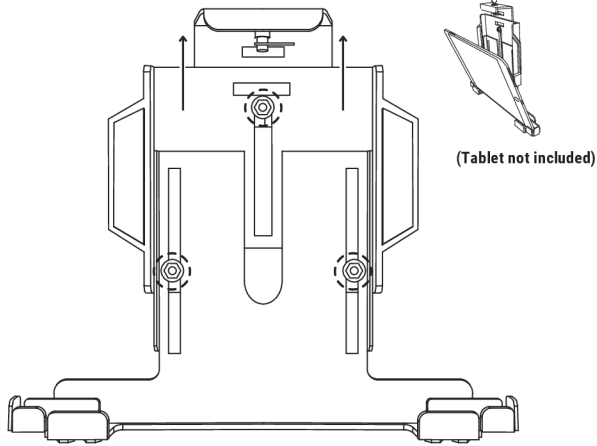
To customize the tablet holder width for your device, loosen the screws positioned at the bottom sides of the holder. After adjusting, tighten the screws to keep the tablet securely in place.



Continued on page 2

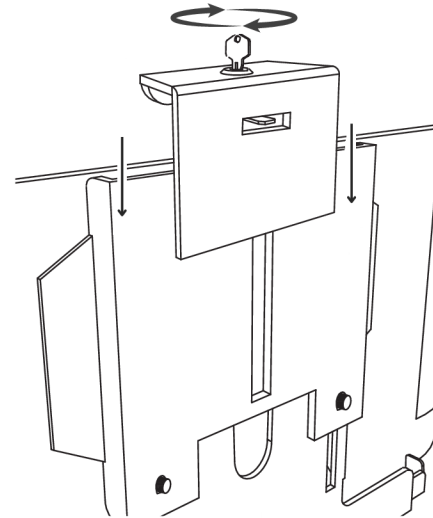
6 Adjusting the Tablet Holder Length

Unscrew the three screws/washers located at the back/center of the holder to modify the height of the tablet holder to match your tablet. Remember to retighten the screws/washers to ensure everything is securely in place.



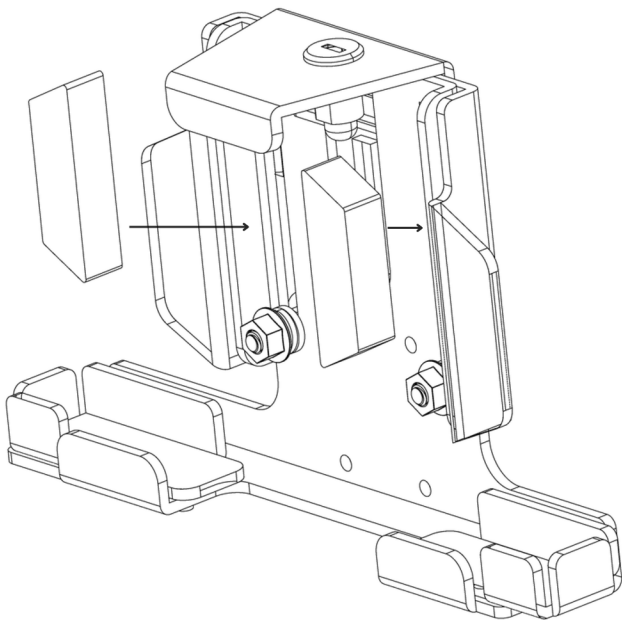
7 Securing the Tablet Holder

To secure the tablet, simply press down on the locking arm located on the top of the tablet and use the included key to lock it in place.



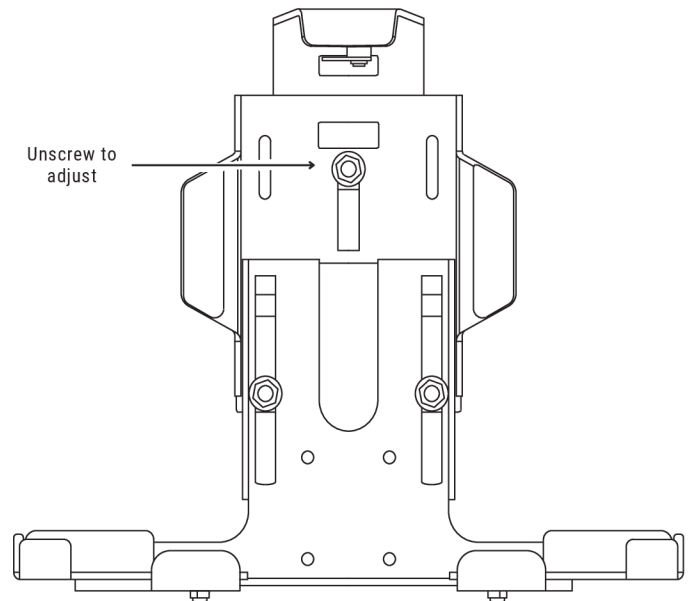
8 Optional - Installing the foam padding if not using a tablet case

To properly set up the tablet holder, apply the foam padding and place it in the sides of the holder.



9 Optional - Switch to Non-locking

Take off the nut and washers from the front center of the holder that locks the position of the locking arm.



WARNING

CHOKING HAZARD - Keep out of reach from children under 8 yrs. as they can choke or suffocate on parts included with this system

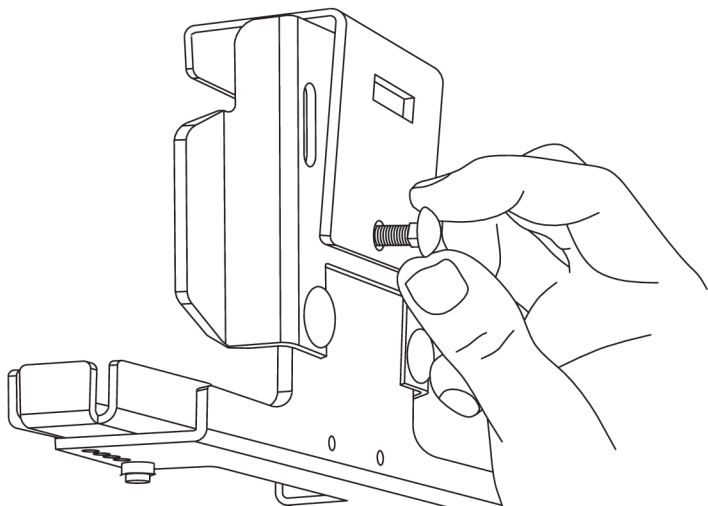
WARNING

Arkon® is not responsible for any damages caused to your device or yourself due to the installation or use of this mount. Do not install Arkon® products near areas that interfere with operation of vehicles. Arkon® assumes no responsibility or liability for injury or death as a result of failure to install in a safe location. Arkon® is not responsible for any damages caused to vehicles, product, or people due to the installation or use of this product.

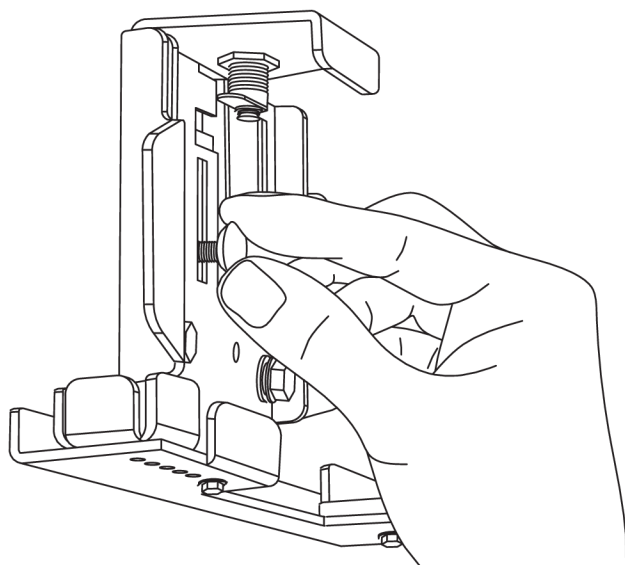
Continued on page 3



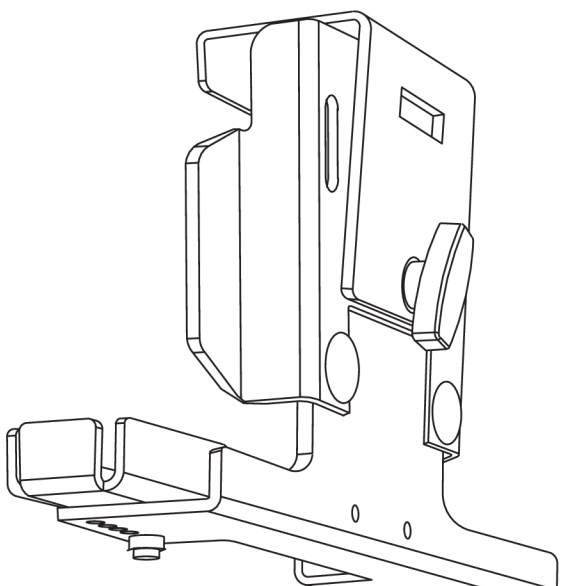
10 **Switch to Non-locking**
Pull screw out from the back of the locking arm



11 **Switch to Non-locking**
Re-insert screw to the front of the holder going through the locking arm



12 **Switch to Non-locking**
Attach knob to screw on the back of the holder's locking arm



WARNING

CHOKING HAZARD - Keep out of reach from children under 8 yrs. as they can choke or suffocate on parts included with this system

WARNING

Arkon® is not responsible for any damages caused to your device or yourself due to the installation or use of this mount. Do not install Arkon® products near areas that interfere with operation of vehicles. Arkon® assumes no responsibility or liability for injury or death as a result of failure to install in a safe location. Arkon® is not responsible for any damages caused to vehicles, product, or people due to the installation or use of this product.

