



Package Contents:

- (1) **TAB004KL-B** – Universal Metal Locking Tablet Holder with Key Lock
- (1) **CAFIQC3** – Fixed install USB Vehicle Power Adapter (12-33V Input, 3.0 AMP Output)
- (1) **CAMAG1L** – Magnetic USB to Lightning Charge Cable (3 foot)
- (1) **RMS2XAMPS-MET-SH** – Robust Series Small Shaft with AMPS Base and Security Hardware

Hardwire this 6-foot power adapter directly into your vehicle's 12V power source and then use the USB-A port to connect your charge cable (sold separately). Installation of CAFIQC3 is simple and includes short circuit and overcharge protection; however, it is strongly recommended that you have knowledge of your vehicle's operation before installing. Note: if using CAFIQC3 on electric forklifts with 36/48 Volt power, a voltage reducer (not included) should be used.

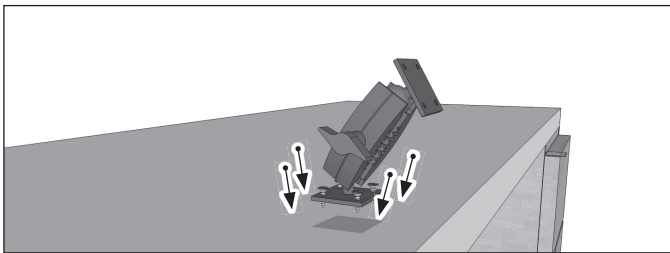
CAMAG1L is ideal for charging Apple iPhone, iPad, and other Lightning compatible devices.

Device Compatibility: Fits 7"-10" screen size tablets

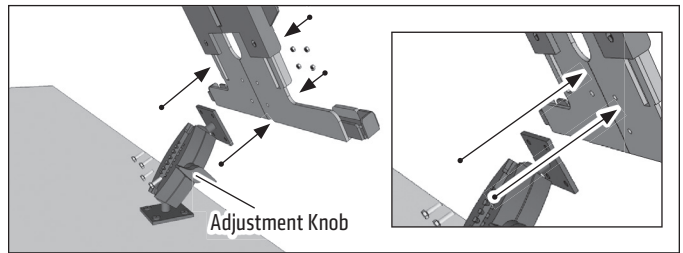
Tools Needed: 7mm and 10mm socket wrenches

Mounting Base & Holder

- 1** Using a screwdriver and/or drill, attach the metal AMPS mounting base to a flat surface with 4 screws (not included).

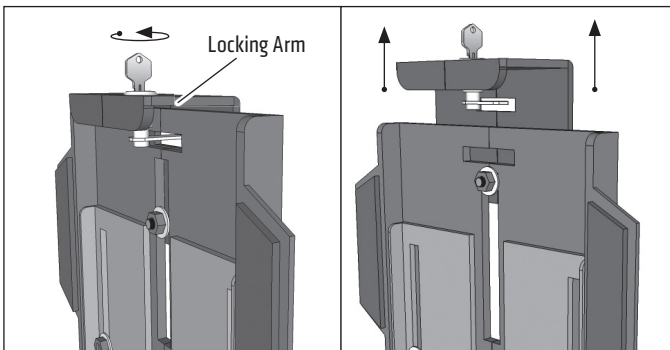


- 2** Connect the tablet holder to the mounting base (screws provided) using the 4-Hole AMPS mounting pattern. Loosen adjustment knob to reposition shaft, retighten to desired position.

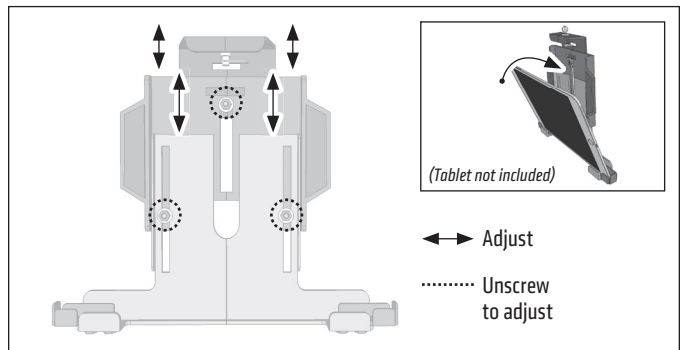


Inserting Tablet

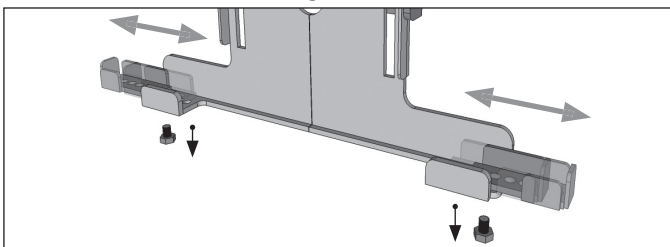
- 3** To size the tablet holder to your tablet, begin by unlocking the top of the tablet holder with the key and push up on the locking arm.



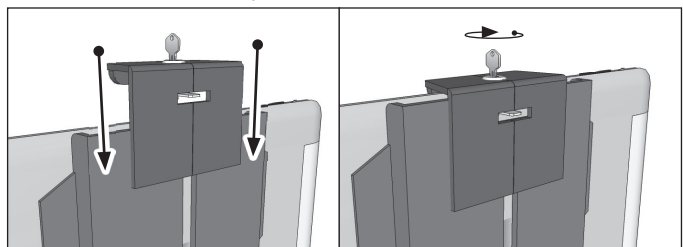
- 4** Unscrew the three screws/washers at the back/center of the holder to adjust the tablet holder's height to the tablet (not included). Retighten the screws/washers to secure.



- 5** Unscrew the screws at the bottom sides of the holder to adjust the tablet holder's width to the tablet. Tighten to secure.



- 6** To lock down tablet, close down on the locking arm on the top of the tablet and lock with key (included).



Safety Precautions
 Arkon is not responsible for any damages caused to your device, your vehicle, or yourself due to the installation or use of this mount.

ARKON MOUNTS

Consumer Hotline: www.arkon.com
 USA (800) 841-0884 Arcadia, CA 91006 USA
 INT'L (626) 254-9005 Designed in USA | Made in Taiwan
 Monday - Friday 9am - 5pm, PST © Copyright 2020 Arkon Resources, Inc.