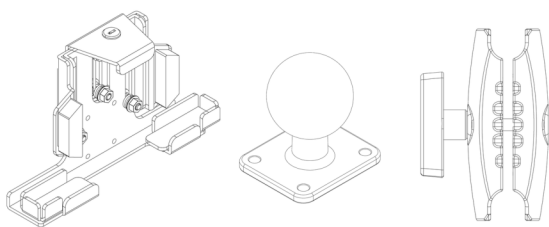


TAB4382XMAMPS | LockVise™ Metal Locking Tablet Holder with Drill-Base Mount



TAB004KL

APMAMPS38MM

SPRM38MM

Includes:

- 1 – LockVise™ Metal Locking Tablet Holder Kit (TAB004KL)
- 2 – Metal 4-Hole AMPS to 38mm Ball Adapter (APMAMPS38MM)
- 1 – Robust™ Series 5 inch Shaft Arm (SPRM38MM)

Please note that screws are not included for the drill base adapter.

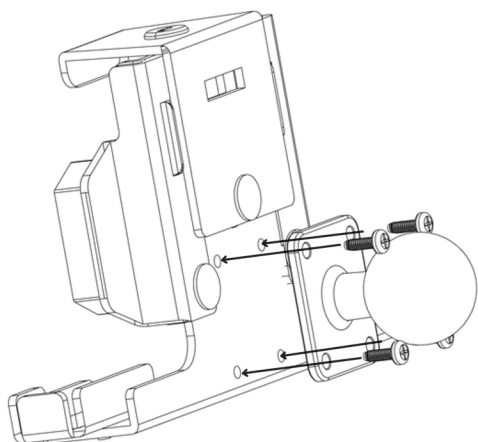
Important: Clean the application surface and make sure it is free of dirt, dust, and grease before installation.

Compatibility: This holder ensures compatibility with a wide range of tablets, including the most popular models, from 7"-10.5" in screen size.

1

Install the AMPS adapter plate onto the tablet holder

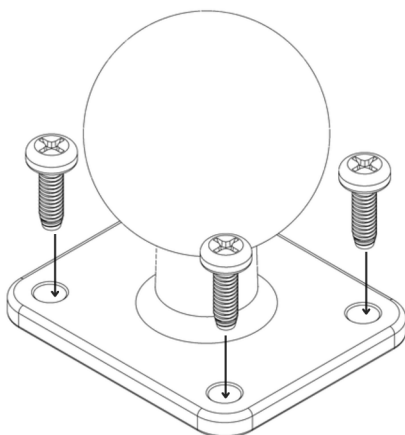
Position the AMPS adapter at the back of the tablet holder. Insert the four mounting screws through the AMPS 4-hole ball adapter plate and into the tablet holder. Securely tighten the screws to complete the installation.



3

Mount Installation

Securely attach the pedestal to a mounting surface using hardware (**not included**).



WARNING

CHOKING HAZARD - Keep out of reach from children under 8 yrs. as they can choke or suffocate on parts included with this system

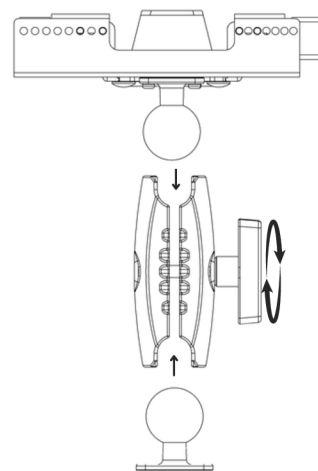
WARNING

Arkon® is not responsible for any damages caused to your device or yourself due to the installation or use of this mount. Do not install Arkon® products near areas that interfere with operation of vehicles. Arkon® assumes no responsibility or liability for injury or death as a result of failure to install in a safe location. Arkon® is not responsible for any damages caused to vehicles, product, or people due to the installation or use of this product.

2

Assemble the components

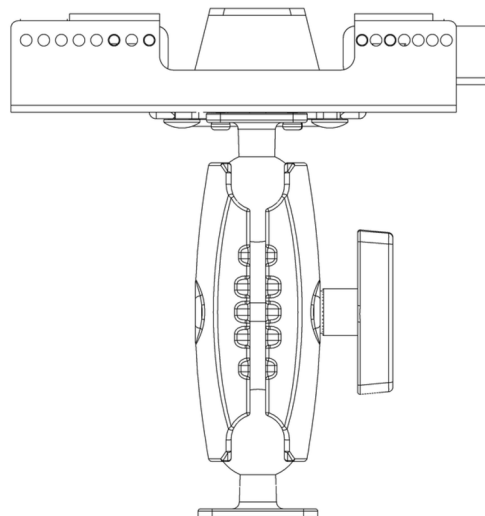
Turn the shaft knob counterclockwise to loosen it. Next, attach the 38mm ball adapters to both ends. Finally, tighten the knob to secure everything in place.



4

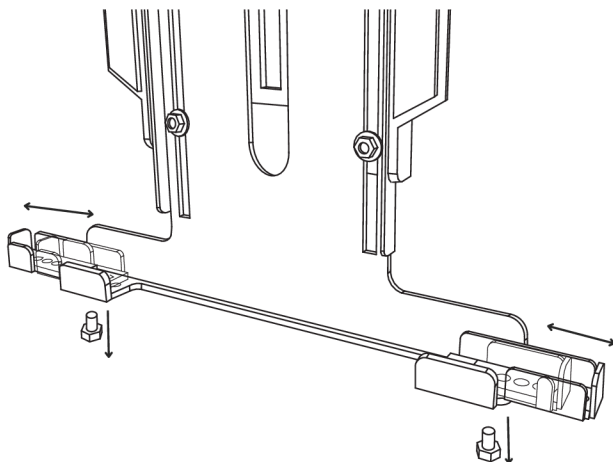
Fully Assembled

Refer to the image below for the full assembled product.



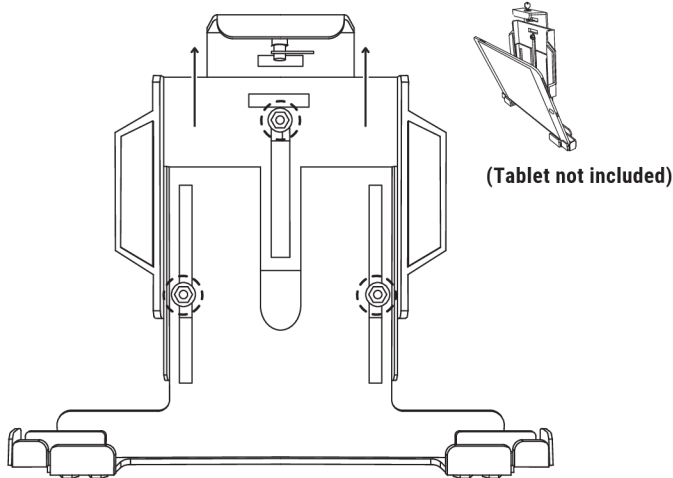
5 Modify the Tablet Holder Width

To customize the tablet holder width for your device, loosen the screws positioned at the bottom sides of the holder. After adjusting, tighten the screws to keep the tablet securely in place.



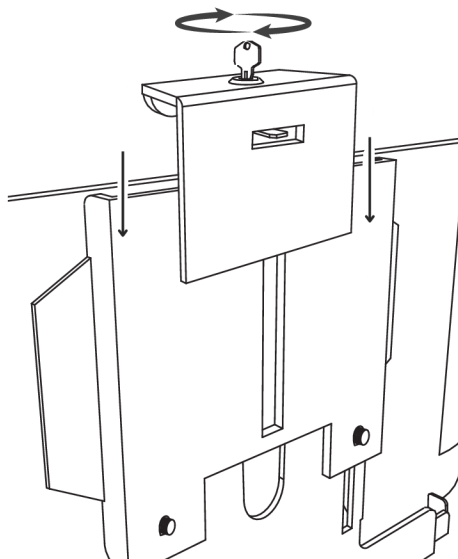
6 Adjusting the Tablet Holder Length

Unscrew the three screws/washers located at the back/center of the holder to modify the height of the tablet holder to match your tablet. Remember to retighten the screws/washers to ensure everything is securely in place.



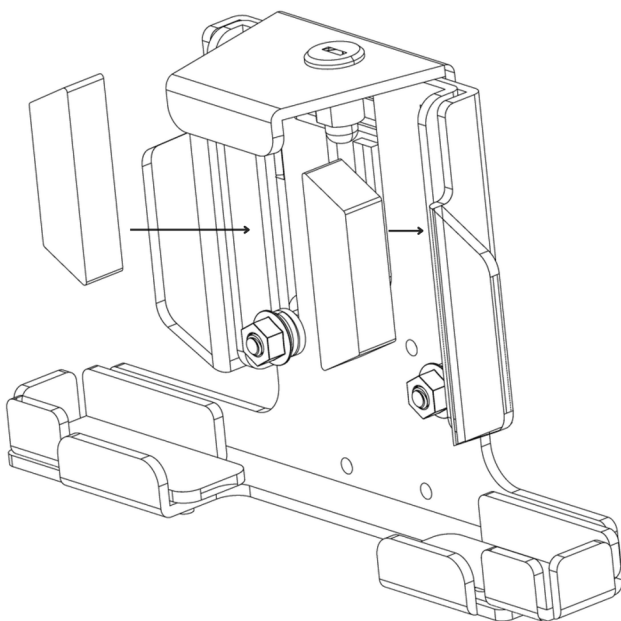
7 Securing the Tablet Holder

To secure the tablet, simply press down on the locking arm located on the top of the tablet and use the included key to lock it in place.



8 Optional - Installing the foam padding if not using a tablet case

To properly set up the tablet holder, apply the foam padding and place it in the sides of the holder.



WARNING

CHOKING HAZARD - Keep out of reach from children under 8 yrs. as they can choke or suffocate on parts included with this system

WARNING

Arkon® is not responsible for any damages caused to your device or yourself due to the installation or use of this mount. Do not install Arkon® products near areas that interfere with operation of vehicles. Arkon® assumes no responsibility or liability for injury or death as a result of failure to install in a safe location. Arkon® is not responsible for any damages caused to vehicles, product, or people due to the installation or use of this product.

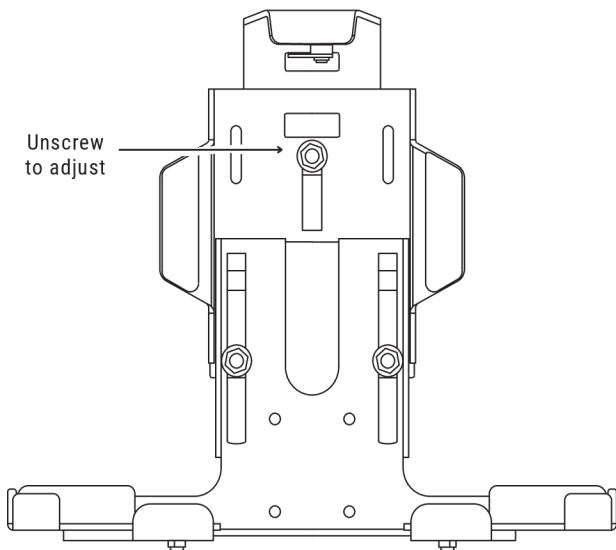
Continued on page 3



9

Optional - Switch to Non-locking

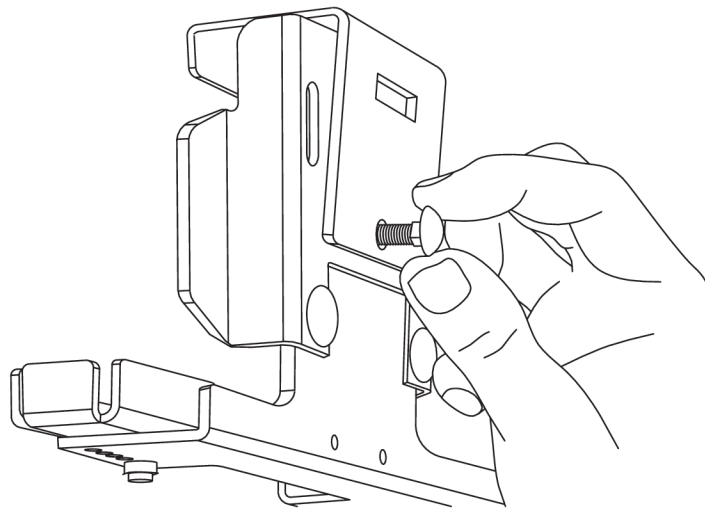
Take off the nut and washers from the front center of the holder that locks the position of the locking arm.



10

Switch to Non-locking

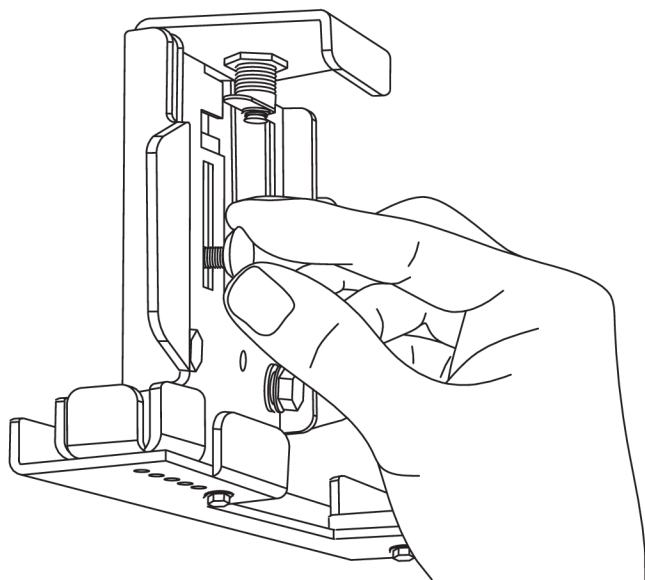
Pull screw out from the back of the locking arm



11

Switch to Non-locking

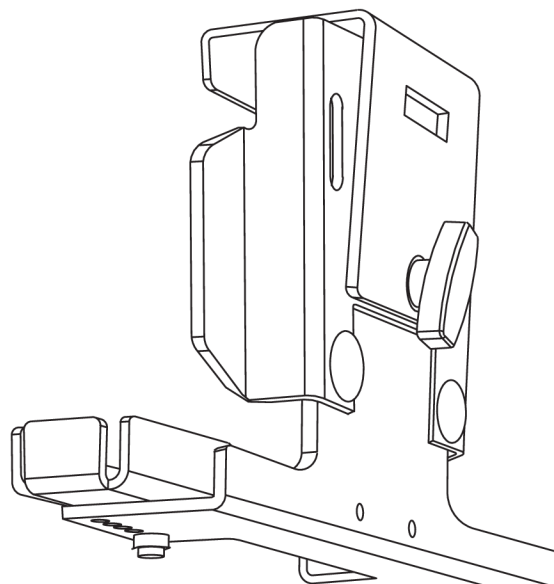
Re-insert screw to the front of the holder going through the locking arm



12

Switch to Non-locking

Attach knob to screw on the back of the holder's locking arm



WARNING

CHOKING HAZARD - Keep out of reach from children under 8 yrs. as they can choke or suffocate on parts included with this system

WARNING

Arkon® is not responsible for any damages caused to your device or yourself due to the installation or use of this mount. Do not install Arkon® products near areas that interfere with operation of vehicles. Arkon® assumes no responsibility or liability for injury or death as a result of failure to install in a safe location. Arkon® is not responsible for any damages caused to vehicles, product, or people due to the installation or use of this product.

