

**Package Contents:**

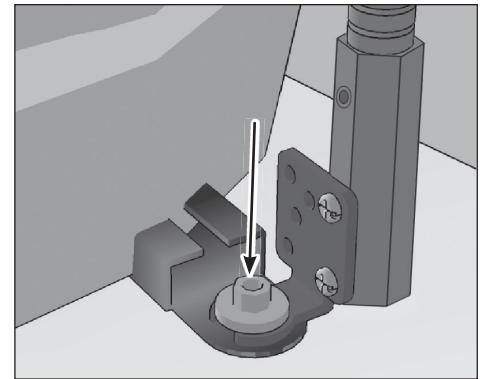
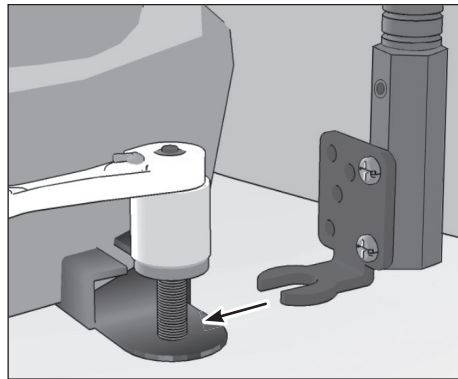
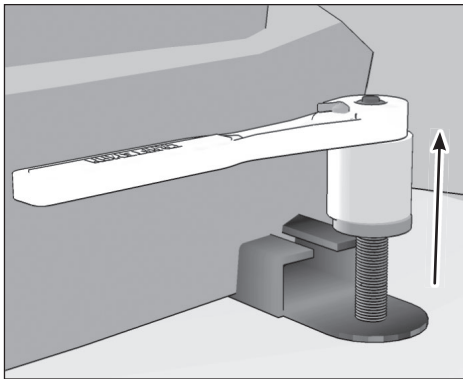
- (1) GN088L22AL – 22" 25mm Seat Rail or Floor Pedestal
- (1) TAB004KL – Universal Aluminum Locking Tablet Holder with Key Lock and Key
- (1) SP-RM250 – Robust Mount Shaft
- (1) APMAMP525MM – 25mm Ball to Metal 4-Hole AMPS Adapter
- (1) SP-TAB4SH-KIT – Security Kit for TAB004KL

**Device Compatibility:** Fits 7"-10" screen size tablets

**Warning:** Drilling into the dash, floor, or console may damage the vehicle. Use caution and consult a mobile install professional to avoid drilling into the gas tank, electrical system, or other highly sensitive vehicle components.

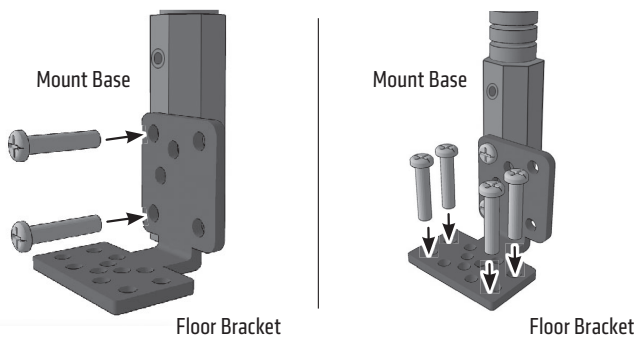
**Passenger Seat Bolt Mounting - Option 1:**

- 1 Use a socket wrench to loosen the passenger seat track bolt.
- 2 Insert the seat track bolt bracket.
- 3 Retighten the seat track bolt.



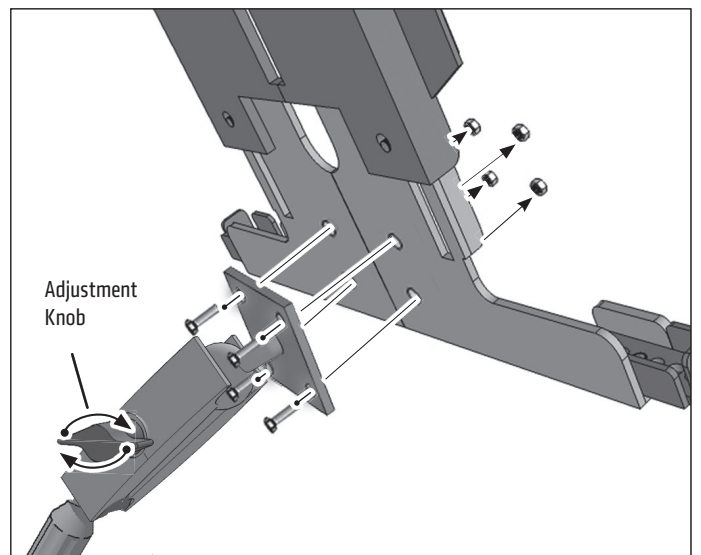
**Floor Mounting - Option 2**

Screw the floor bracket to the mount. (Depending on your vehicle, you may need to change the orientation of the bracket.) Attach the floor / console bracket with screws.

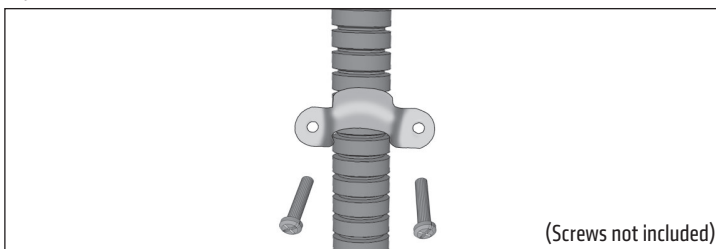


**Attaching the Universal Locking Tablet Holder**

Connect the tablet holder onto the pedestal using the screws found in SP-TAB4SH-KIT using the 4-Hole AMPS mounting pattern. Loosen adjustment knob to reposition shaft, retighten to desired position.

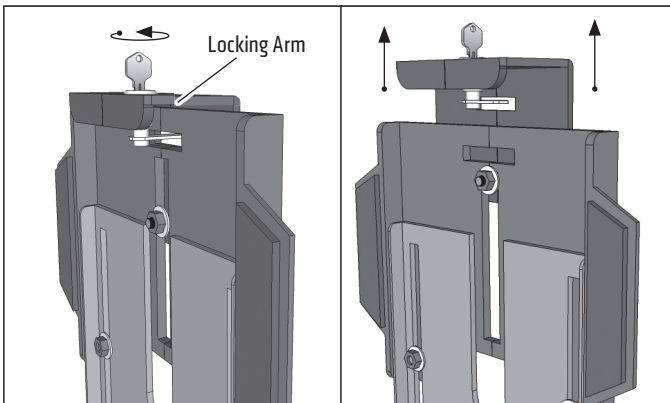


**Optional:** Attach included metal conduit to console to minimize vibration.

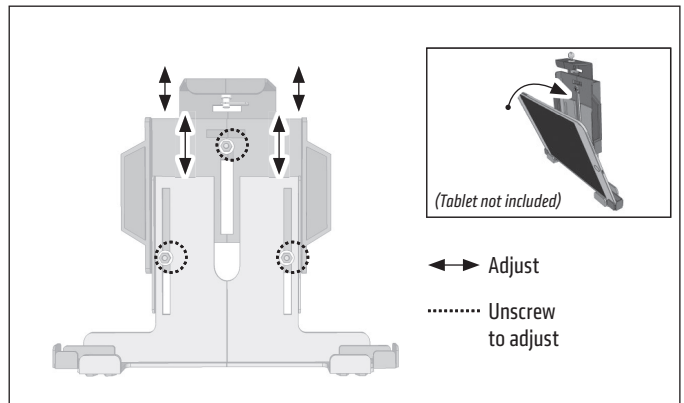


**Inserting Tablet**

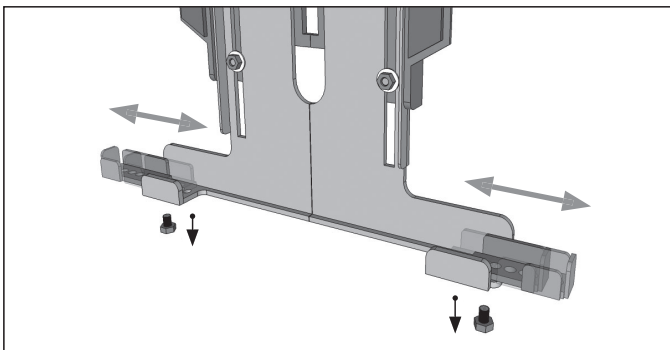
**1** To size the tablet holder to your tablet, begin by unlocking the top of the tablet holder with the key and push up on the locking arm.



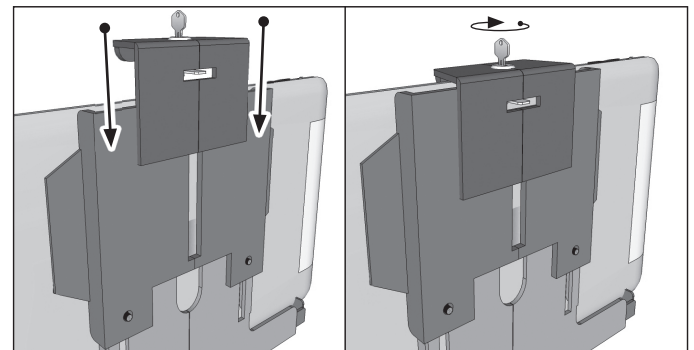
**2** Unscrew the three screws/washers at the back/center of the holder to adjust the tablet holder's height to the tablet (not included). Retighten the screws/washers to secure.



**3** Unscrew the screws at the bottom sides of the holder to adjust the tablet holder's width to the tablet. Tighten to secure.



**4** To lock down tablet, close down on the locking arm on the top of the tablet and lock with key (included).



**! Safety Precautions**

Do not install Arkon products over an air bag cover or within the air bag deployment zone. Arkon Resources, Inc. assumes no responsibility of liability for injury or death as a result of car crashes and/or air bag deployment.

Arkon Resources, Inc. is not responsible for any damages caused to your vehicle, device or yourself due to the installation or use of this mount.

**ARKON MOUNTS**

Consumer Hotline:

USA (800) 841-0884

INT'L (626) 254-9005

Monday - Friday 9 am - 5 pm, PST

[www.arkon.com](http://www.arkon.com)

Arcadia, CA 91006 USA

Designed in USA | Made in Taiwan and USA

© Copyright 2019 Arkon Resources, Inc.