

**TAB4CPM25**

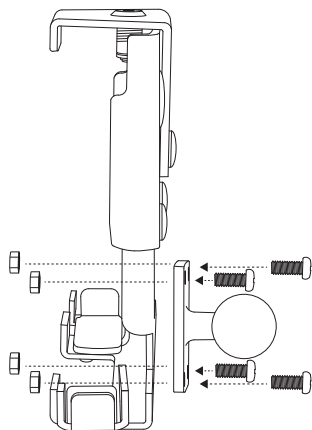
**Includes:**

- 1 – Manual
- 1 – Universal Metal Locking Tablet Holder (TAB004KL)
- 4 – Screws (SP-SB-RING)
- 4 – Nuts (M4)
- 1 – Wrench Key (T20 Star)
- 2 – Locking Keys (SPTAB4KEYA)
- 2 – Foam Padding
- 1 – 25mm AMPS 4-Hole Adapter Ball Mounts (APMAMPS25MM)
- 1 – Shaft Arm (SP-RM250)
- 1 – Roadvise Clamp Mount (CPMHD)

*Important: Clean the application surface and make sure it is free of dirt, dust, and grease before installing the mounting hardware.*

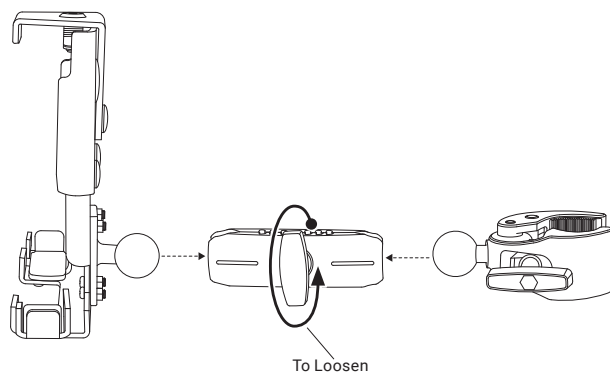
**1 Installing the Universal Metal Locking tablet holder to the 25mm AMPS 4-hole adapter ball mount**

Locate the packaging containing the AMPS 4-hole adapter ball mounts and the Universal Metal Locking tablet holder with installation hardware. Install the four mounting screws through the 25mm AMPS 4-hole ball adapter plate and into the tablet holder.



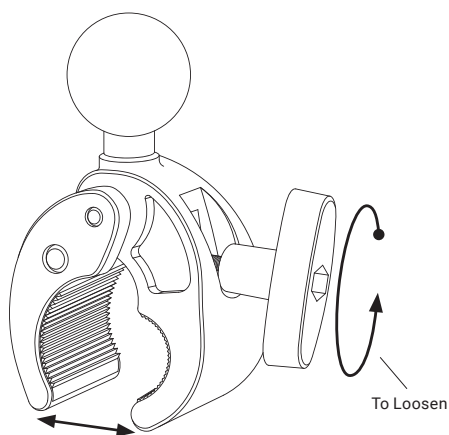
**2 Assemble the components**

Locate the RoadVise clamp mount, shaft arm, and Universal Locking tablet holder. Loosen the knob to allow the ball adapters to insert into the shaft arm by turning it counterclockwise. Insert the ball mounts to either end of the shaft arm and turn the knob clockwise to tighten.



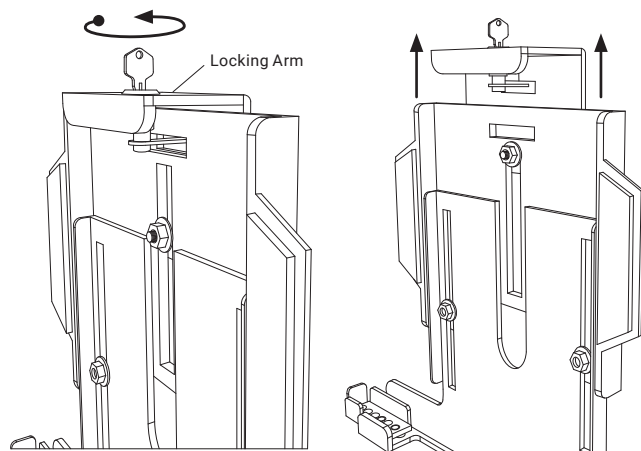
**3 How to adjust the RoadVise clamp mount**

Turn the knob on the clamp mount counterclockwise to expand the clamp arms to your desired width. Expand the arms by gently pulling them apart. Mount to your application surface and tighten the knob clockwise to secure.



**4 Adjusting the length of the tablet holder**

To size the tablet holder to your tablet, begin by unlocking the top of the tablet holder with the key and push up on the locking arm.



**WARNING**

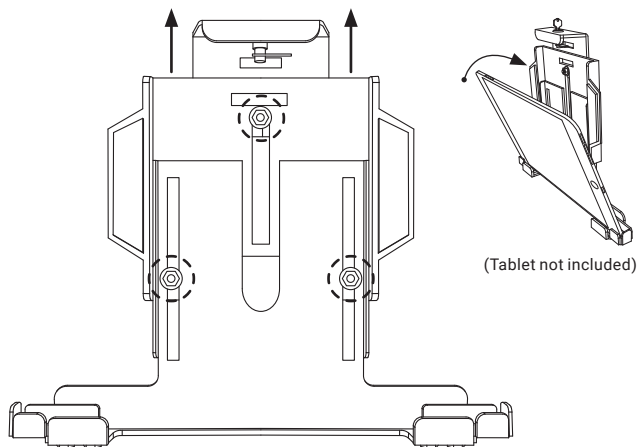
CHOKING HAZARD - Keep out of reach from children under 8 yrs. as they can choke or suffocate on parts included with this system.

**WARNING**

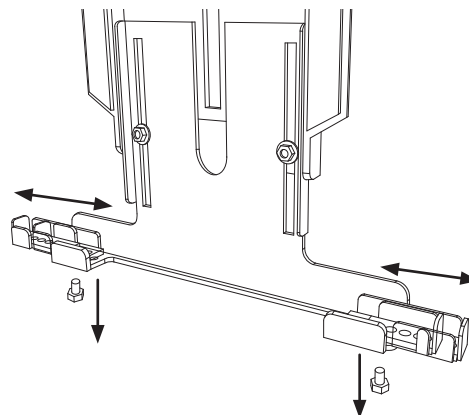
Arkon® is not responsible for any damages caused to your device or yourself due to the installation or use of this mount. Do not install Arkon® products near areas that interfere with operation of vehicles. Arkon® assumes no responsibility or liability for injury or death as a result of failure to install in a safe location. Arkon® is not responsible for any damages caused to vehicles, product, or people due to the installation or use of this product.



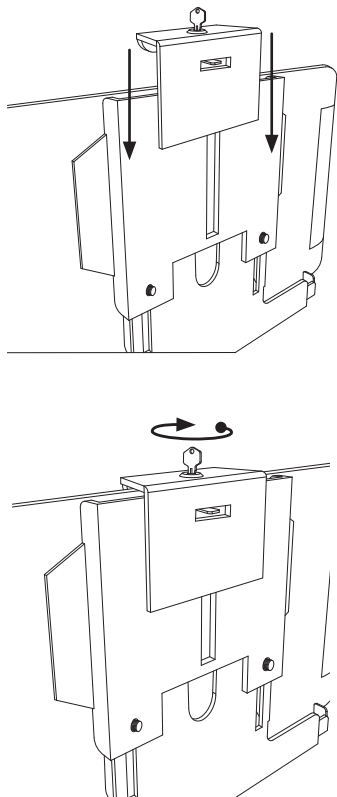
**5** Unscrew the three screws/washer at the back /center of the holder to adjust the tablet holder's height to the tablet (not included). Retighten the screws/washers to secure.



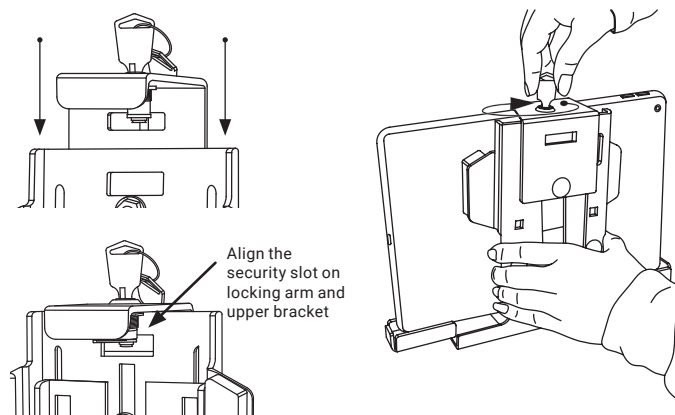
**6** Unscrew the screws at the bottom sides of the holder to adjust the tablet holder's width to the tablet. Tighten to secure.



**7** To lock down tablet, close down on the locking arm on the top of the tablet and lock with key (included)



**8** Ensure that the security slot is aligned on both the locking arm and upper bracket. Failure to properly align the security slot may block the locking mechanism, or allow the locking arm to be tampered with and will bypass the holder's locking feature.



**WARNING**  
CHOKING HAZARD - Keep out of reach from children under 8 yrs. as they can choke or suffocate on parts included with this system.

**WARNING**  
Arkon® is not responsible for any damages caused to your device or yourself due to the installation or use of this mount. Do not install Arkon® products near areas that interfere with operation of vehicles. Arkon® assumes no responsibility or liability for injury or death as a result of failure to install in a safe location. Arkon® is not responsible for any damages caused to vehicles, product, or people due to the installation or use of this product.

