

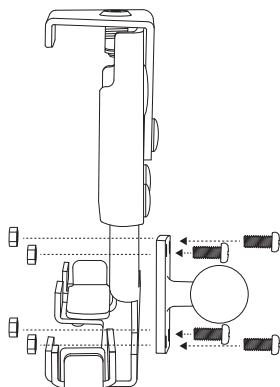
TAB4CPM38

Includes:

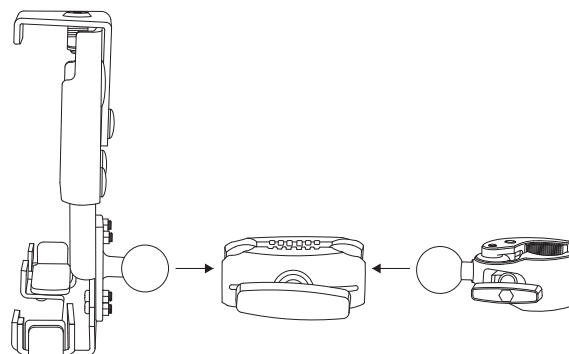
- 1 – Manual
- 1 – Universal Metal Locking Tablet Holder (TAB004KL)
- 4 – M4x12 Pan head star socket screw
- 4 – M4 Nut
- 1 – T20 Star Key Wrench
- 2 – Locking Keys (SPTAB4KEYA)
- 2 – Foam Padding
- 1 – 38mm AMPS 4-Hole Adapter Ball Mounts (APMAMPS38MM)
- 1 – Shaft Arm (SPRM3835)
- 1 – RoadVise Clamp Mount (CPM38)

Important: Clean the application surface and make sure it is free of dirt, dust, and grease before installing the mounting hardware.

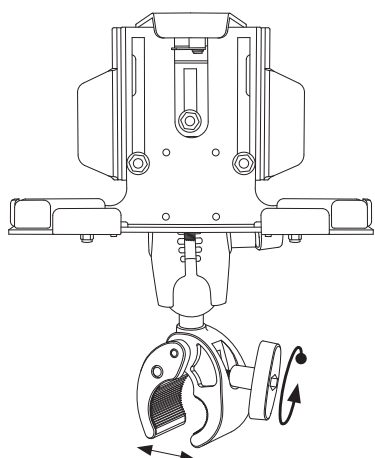
1 Installing the Universal Metal Locking tablet holder to the 38mm AMPS 4-hole adapter ball mount
 Locate the packaging containing the AMPS 4-hole adapter ball mounts and the Universal Metal Locking tablet holder with installation hardware. Install the four mounting screws through the 38mm AMPS 4-hole ball adapter plate and into the tablet holder.



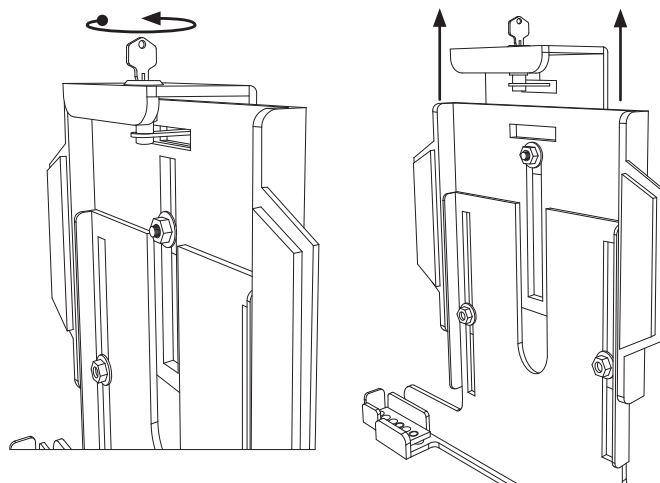
2 Assemble the components
 Locate the RoadVise clamp mount, shaft arm, and Universal Locking tablet holder. Loosen the knob to allow the ball adapters to insert into the shaft arm by turning it counterclockwise. Insert the ball mounts to either end of the shaft arm and turn the knob clockwise to tighten.



3 How to adjust the RoadVise clamp mount
 Turn the knob on the clamp mount counterclockwise to expand the clamp arms to your desired width. Expand the arms by gently pulling them apart. Mount to your application surface and tighten the knob clockwise to secure.



4 Adjusting the length of the tablet holder
 To size the tablet holder to your tablet, begin by unlocking the top of the tablet holder with the key and push up on the locking arm.



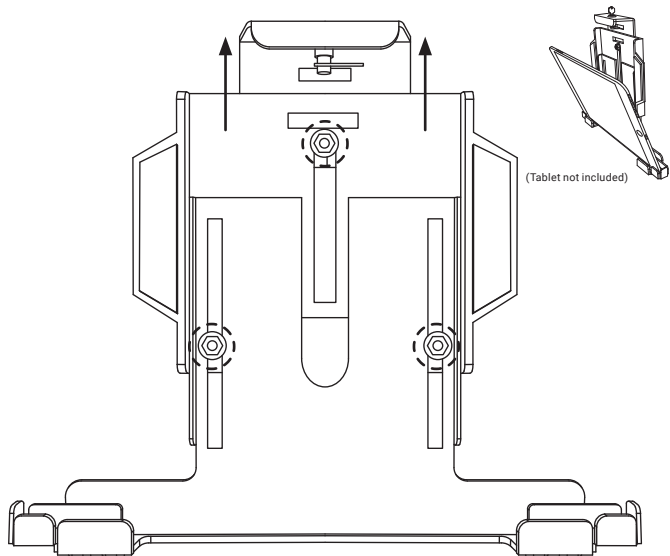
WARNING
 CHOKING HAZARD - Keep out of reach from children under 8 yrs. as they can choke or suffocate on parts included with this system

WARNING
 Arkon® is not responsible for any damages caused to your device or yourself due to the installation or use of this mount. Do not install Arkon® products near areas that interfere with operation of vehicles. Arkon® assumes no responsibility or liability for injury or death as a result of failure to install in a safe location. Arkon® is not responsible for any damages caused to vehicles, product, or people due to the installation or use of this product.

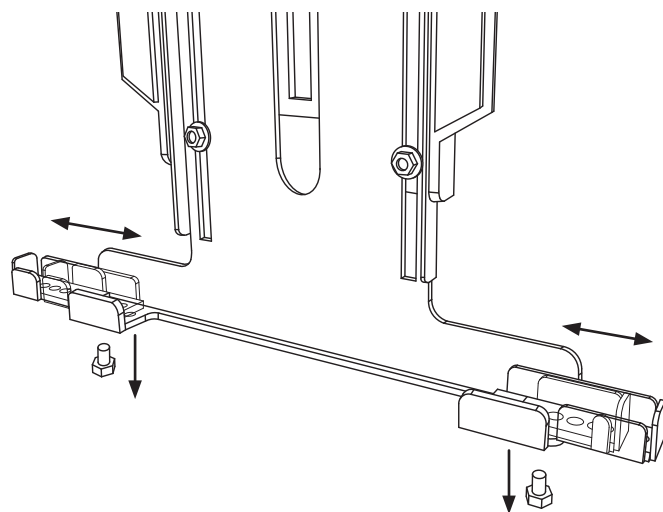


TAB4CPM38 | RoadVise® Clamp Mount with Universal Metal Locking Tablet Holder

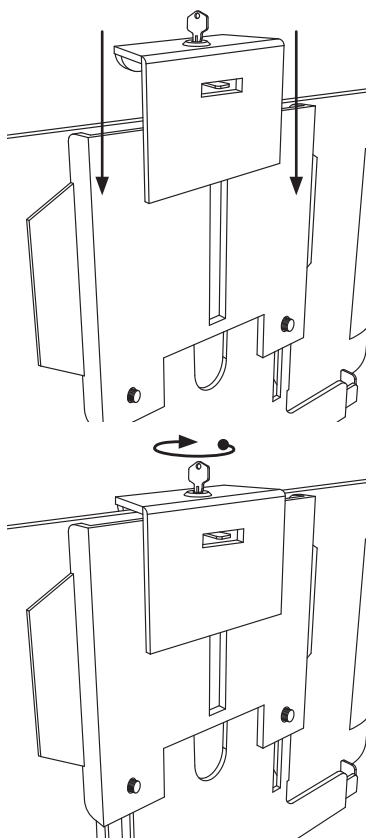
5 Unscrew the three screws/washers at the back/center of the holder to adjust the tablet holder's height to the tablet (not included). Retighten the screws/washers to secure.



6 Unscrew the screws at the bottom sides of the holder to adjust the tablet holder's width to the tablet. Tighten to secure.



7 To lock down tablet, close down on the locking arm on the top of the tablet and lock with key (included).



WARNING
CHOKING HAZARD - Keep out of reach from children under 8 yrs. as they can choke or suffocate on parts included with this system

WARNING
Arkon® is not responsible for any damages caused to your device or yourself due to the installation or use of this mount. Do not install Arkon® products near areas that interfere with operation of vehicles. Arkon® assumes no responsibility or liability for injury or death as a result of failure to install in a safe location. Arkon® is not responsible for any damages caused to vehicles, product, or people due to the installation or use of this product.

ARKON® MOUNTS

USA (800) 841-0884
INT'L (626) 254-9005
Monday - Friday 9 am - 5 pm PST

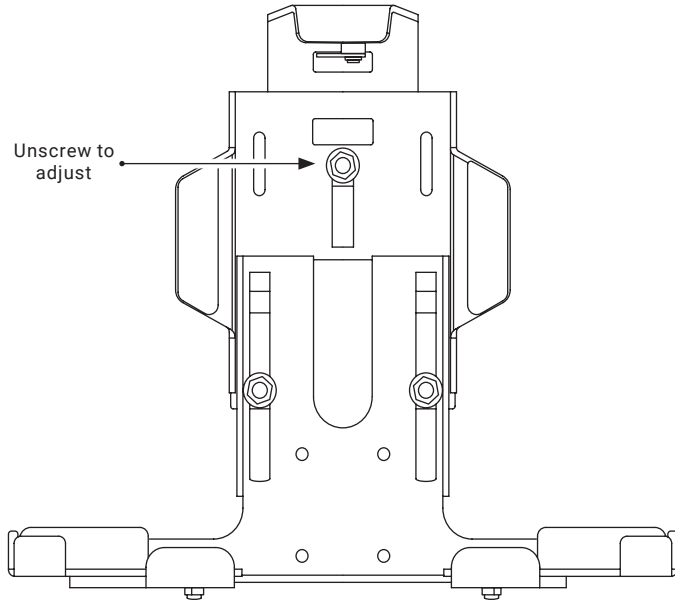
arkon.com
Designed in USA
© Arkon Resources, Inc.

Need assistance?
Scan to email our
Arkon® customer
service team.

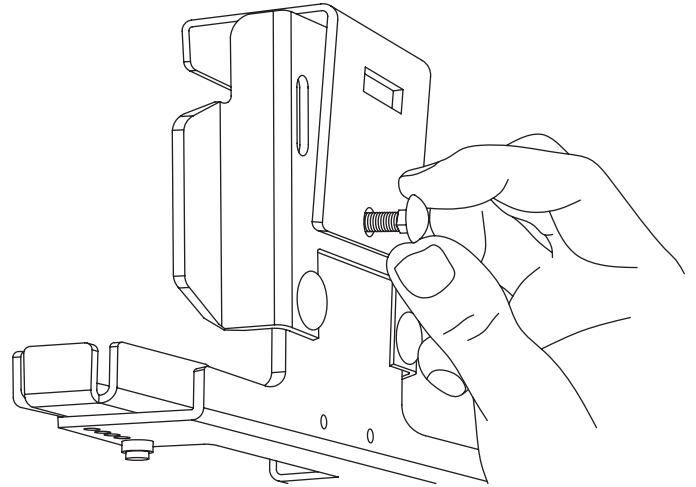


To convert the metal locking tablet holder to a NON-LOCKING option:

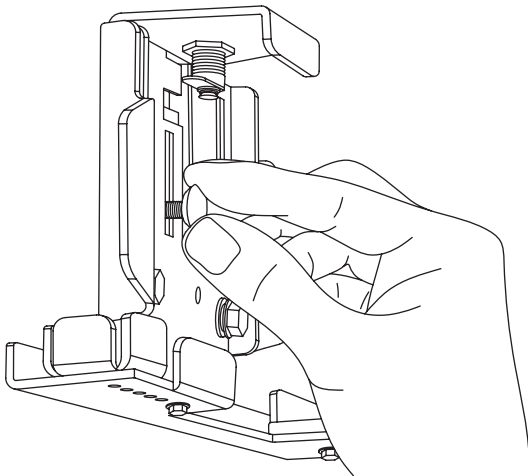
- 1** Remove nut and washers from the center of the front of the holder that secures the position of the locking arm



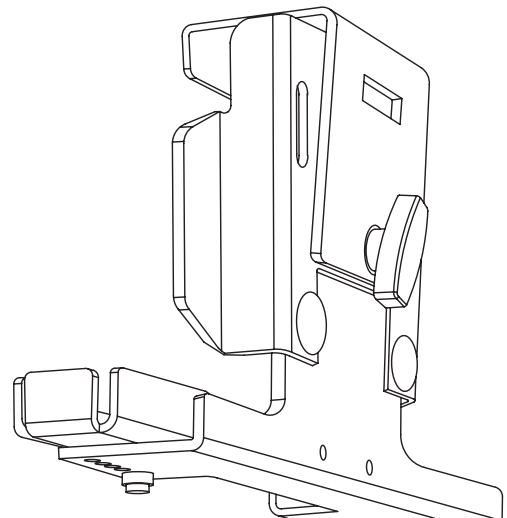
- 2** Pull screw out from the back of the locking arm



- 3** Re-insert screw to the front of the holder going through the locking arm



- 4** Attach knob to screw on the back of the holder's locking arm



WARNING

CHOKING HAZARD - Keep out of reach from children under 8 yrs. as they can choke or suffocate on parts included with this system.

WARNING

Arkon® is not responsible for any damages caused to your device or yourself due to the installation or use of this mount. Do not install Arkon® products near areas that interfere with operation of vehicles. Arkon® assumes no responsibility or liability for injury or death as a result of failure to install in a safe location. Arkon® is not responsible for any damages caused to vehicles, product, or people due to the installation or use of this product.

