

TAB004KL

APMAMPS38MM

SPRM3850B

CPM38B

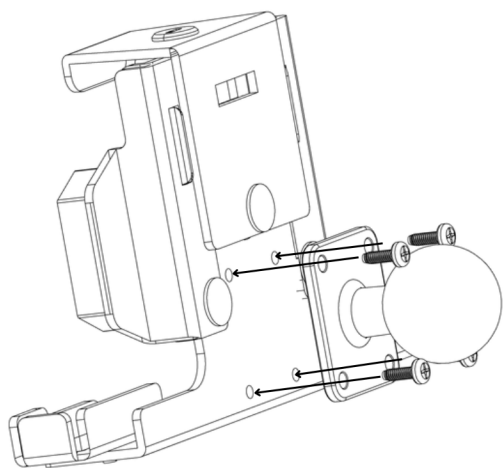
## Includes:

- 1 - LockVise™ Metal Locking Tablet Holder Kit (TAB004KL)
- 1 - Metal 4-Hole AMPS to 38mm Ball Adapter (APMAMPS38MM)
- 1 - Robust™ Series 5.75 inch Mount Shaft (SPRM3850B)
- 1 - Robust Mount Clamp Post with 38mm Ball (CPM38)

**Compatibility:** This holder ensures compatibility with a wide range of tablets, including the most popular models, from 7"-10.5" in screen size.

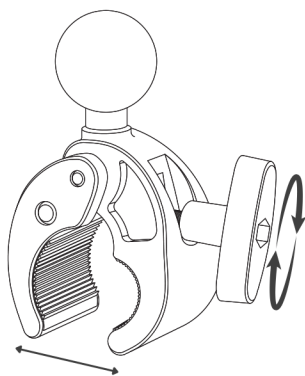
### 1 Install the AMPS Adapter Plate onto the tablet holder

Position the AMPS adapter at the back of the tablet holder. Insert the four mounting screws through the AMPS 4-hole ball adapter plate and into the tablet holder. Securely tighten the screws to complete the installation.



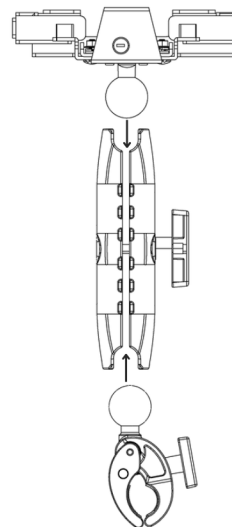
### 3 Adjusting the Clamp Mount

To widen the clamp arms to the desired width, turn the knob counterclockwise. Attach to your desired surface and then tighten the knob clockwise to secure in place.



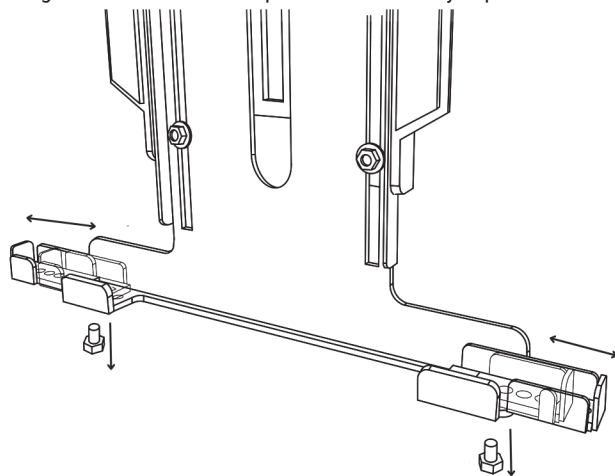
### 2 Assemble the components

Turn the shaft arm counterclockwise to loosen it. Next, attach the 38mm ball adapters to both ends. Finally, tighten the shaft to secure everything in place.



### 4 Modify the Tablet Holder Width

To customize the tablet holder width for your device, loosen the screws positioned at the bottom sides of the holder. After adjusting, tighten the screws to keep the tablet securely in place.



#### WARNING

CHOKING HAZARD - Keep out of reach from children under 8 yrs. as they can choke or suffocate on parts included with this system

#### WARNING

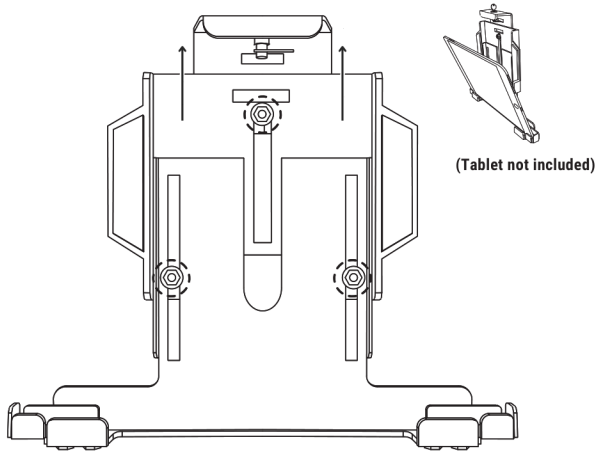
Arkon® is not responsible for any damages caused to your device or yourself due to the installation or use of this mount. Do not install Arkon® products near areas that interfere with operation of vehicles. Arkon® assumes no responsibility or liability for injury or death as a result of failure to install in a safe location. Arkon® is not responsible for any damages caused to vehicles, product, or people due to the installation or use of this product.

Continued on page 2



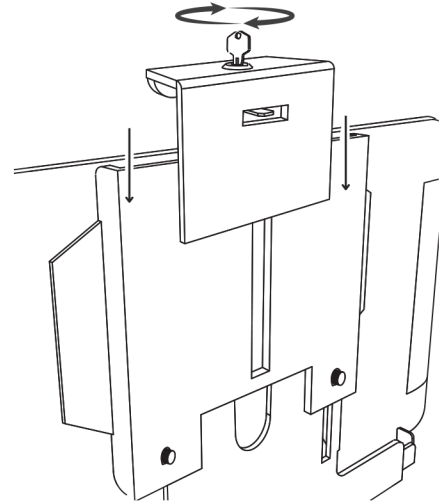
## 5 Adjusting the Tablet Holder Length

Unscrew the three screws/washers located at the back/center of the holder to modify the height of the tablet holder to match your tablet. Remember to retighten the screws/washers to ensure everything is securely in place.



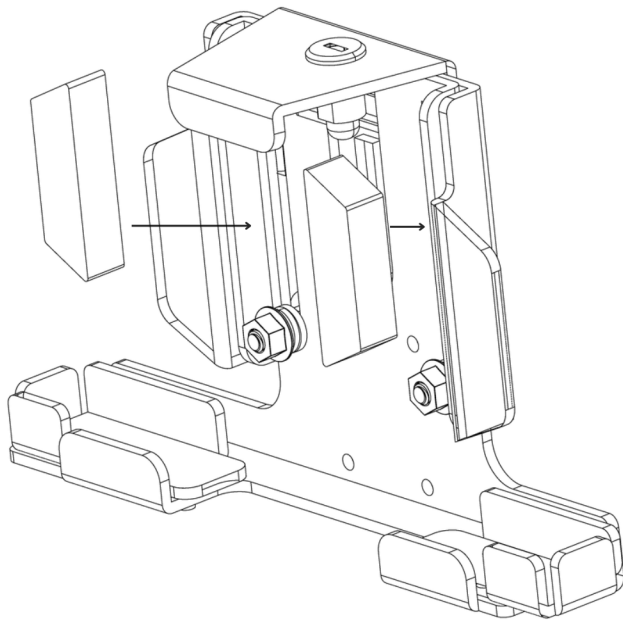
## 6 Securing the Tablet Holder

To secure the tablet, simply press down on the locking arm located on the top of the tablet and use the included key to lock it in place.



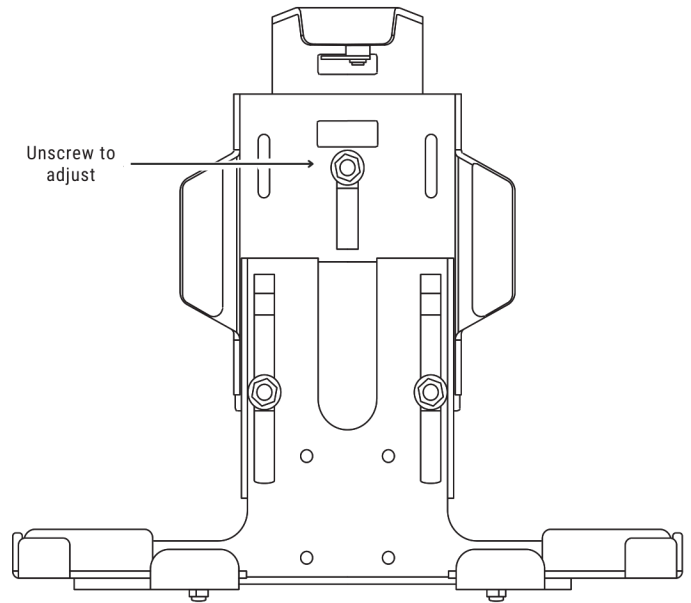
## 7 Optional - Installing the foam padding if not using a tablet case

To properly set up the tablet holder, apply the foam padding and place it in the sides of the holder.



## 8 Optional - Switch to Non-locking

Take off the nut and washers from the front center of the holder that locks the position of the locking arm.



### WARNING

CHOKING HAZARD - Keep out of reach from children under 8 yrs. as they can choke or suffocate on parts included with this system

### WARNING

Arkon® is not responsible for any damages caused to your device or yourself due to the installation or use of this mount. Do not install Arkon® products near areas that interfere with operation of vehicles. Arkon® assumes no responsibility or liability for injury or death as a result of failure to install in a safe location. Arkon® is not responsible for any damages caused to vehicles, product, or people due to the installation or use of this product.

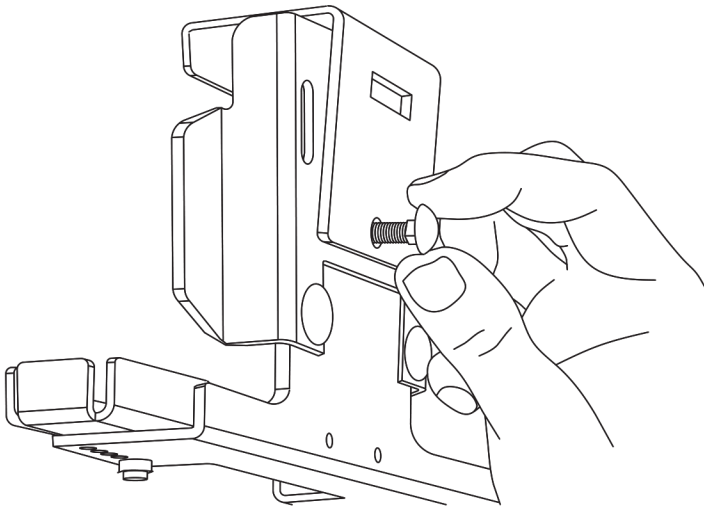
Continued on page 3



9

**Switch to Non-locking**

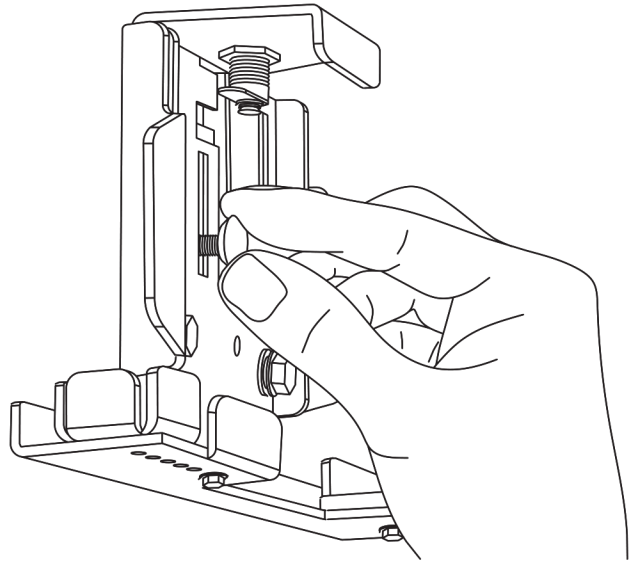
Pull screw out from the back of the locking arm



10

**Switch to Non-locking**

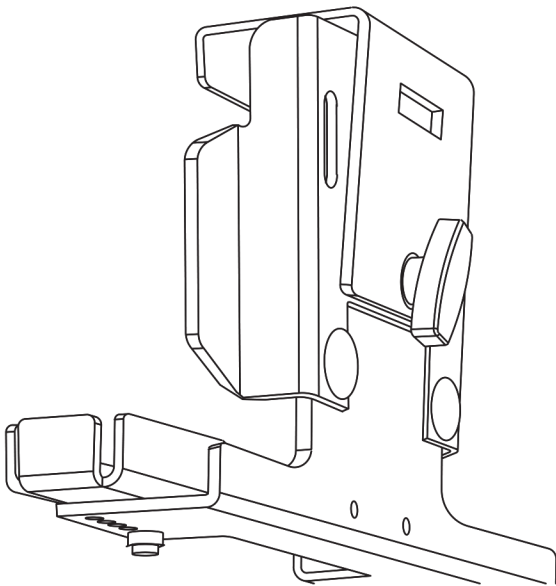
Re-insert screw to the front of the holder going through the locking arm



11

**Switch to Non-locking**

Attach knob to screw on the back of the holder's locking arm



**WARNING**

CHOKING HAZARD - Keep out of reach from children under 8 yrs. as they can choke or suffocate on parts included with this system

**WARNING**

Arkon® is not responsible for any damages caused to your device or yourself due to the installation or use of this mount. Do not install Arkon® products near areas that interfere with operation of vehicles. Arkon® assumes no responsibility or liability for injury or death as a result of failure to install in a safe location. Arkon® is not responsible for any damages caused to vehicles, product, or people due to the installation or use of this product.

