

Package Contents:

- (1) RM08825AL – 18" 25mm Seat Rail or Floor Pedestal
- (1) TAB004KL – Universal Aluminum Locking Tablet Holder with Key Lock and Key
- (1) SP-RM250 – Robust Mount Shaft Arm
- (1) APMAMPS25MM – 25mm Ball to Metal 4-Hole AMPS Adapter
- (1) SP-TAB4SH-KIT – Security Hardware for TAB004KL

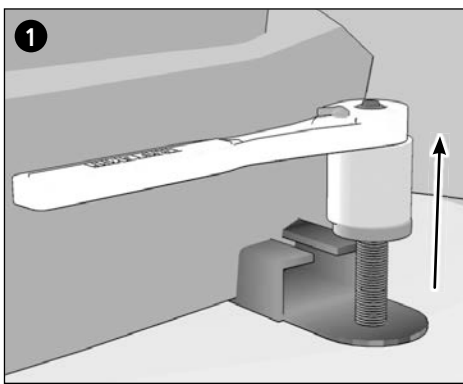
Optional (for converting locking tablet holder to NON-LOCKING option):

- (1) SPRMLGKNOBNL – Large Robust Shaft Knob (see page 2)

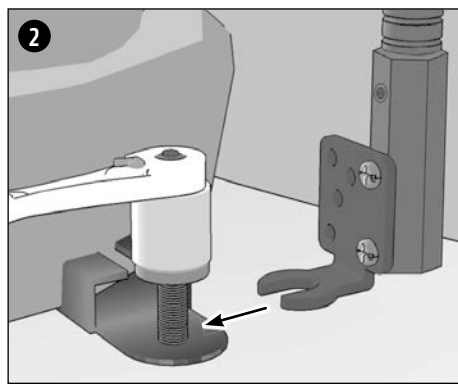
Device Compatibility: Fits 7"-10" screen size tablets

Warning: Drilling into the dash, floor, or console may damage the vehicle. Use caution and consult a mobile install professional to avoid drilling into the gas tank, electrical system, or other highly sensitive vehicle components.

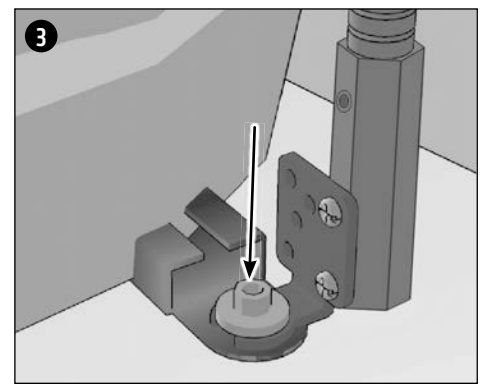
Passenger Seat Bolt Mounting - Option 1:



Use a socket wrench to loosen the passenger seat track bolt.



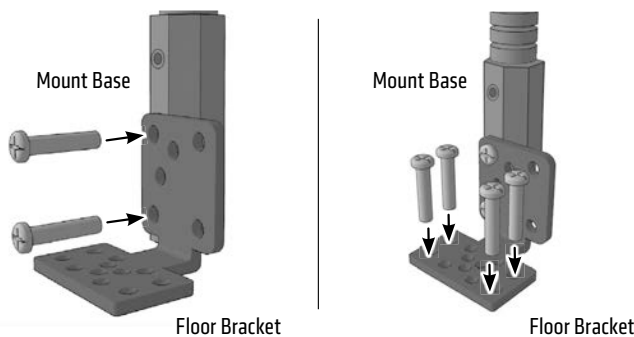
Insert the seat track bolt bracket.



Retighten the seat track bolt.

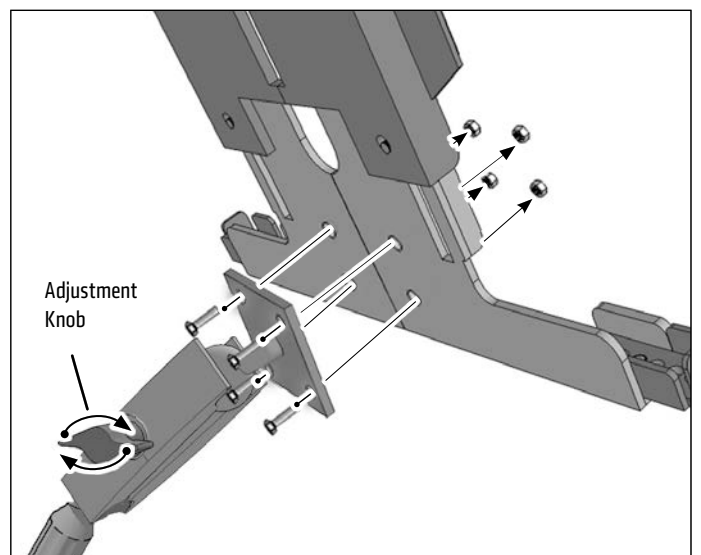
Floor Mounting - Option 2

Screw the floor bracket to the mount. (Depending on your vehicle, you may need to change the orientation of the bracket.) Attach the floor / console bracket with screws.

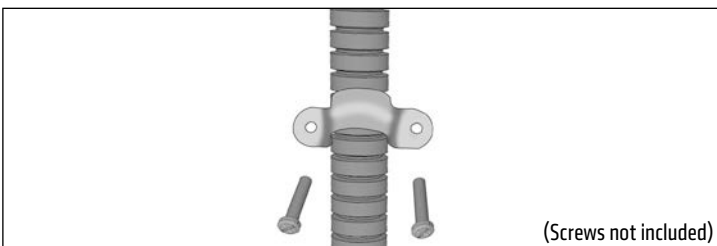


Attaching the Universal Locking Tablet Holder

Connect the tablet holder onto the pedestal using the screws found in SP-TAB4SH-KIT using the 4-Hole AMPS mounting pattern. Loosen adjustment knob to reposition shaft, retighten to desired position.

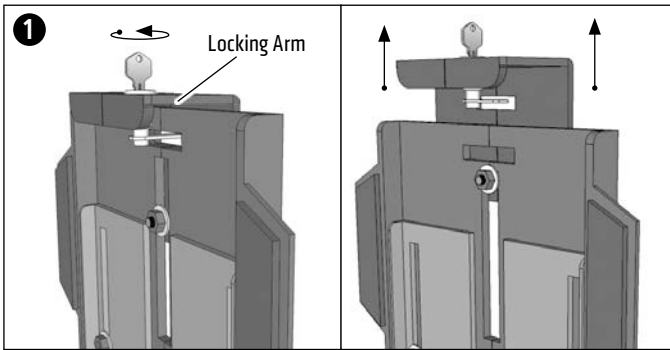


Optional: Attach included metal conduit to console to minimize vibration.

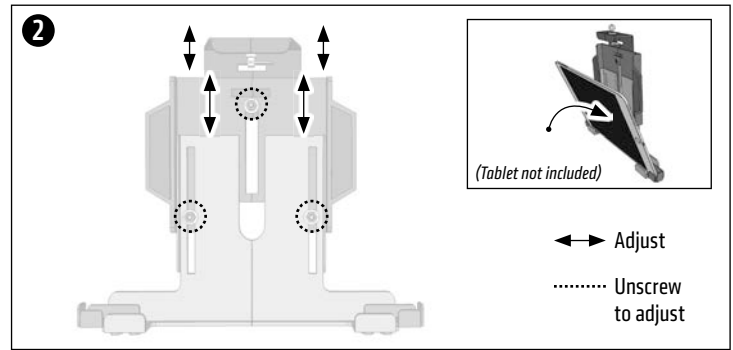


(Screws not included)

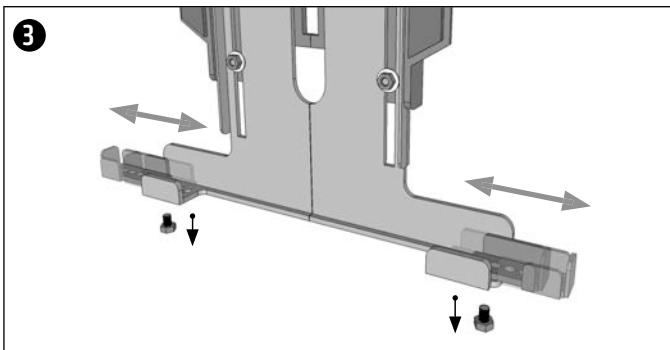
Inserting Tablet



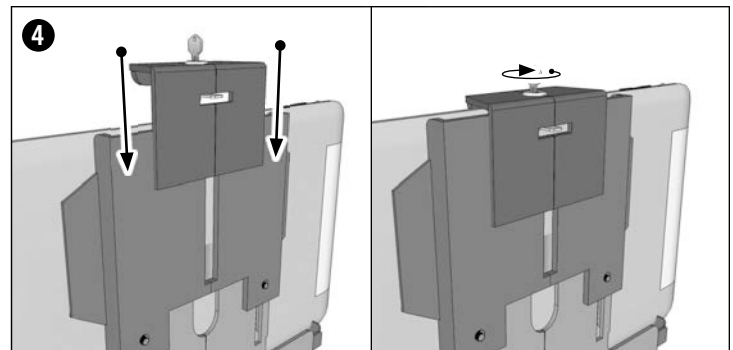
To size the tablet holder to your tablet, begin by unlocking the top of the tablet holder with the key and push up on the locking arm.



Unscrew the three screws/washers at the back/center of the holder to adjust the tablet holder's height to the tablet (not included). Retighten the screws/washers to secure.

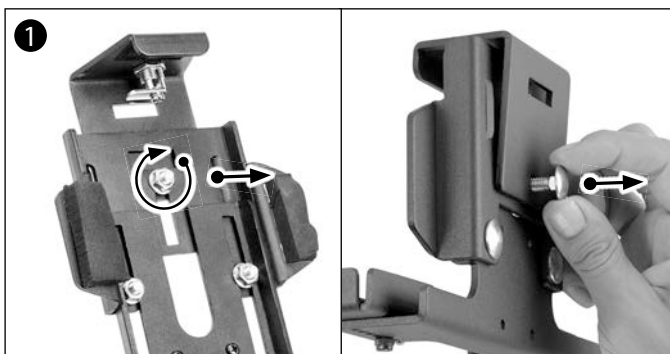


Unscrew the screws at the bottom sides of the holder to adjust the tablet holder's width to the tablet. Tighten to secure.

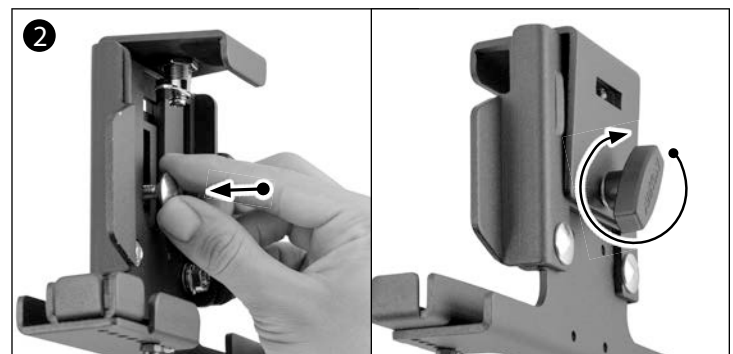


To lock down tablet, close down on the locking arm on the top of the tablet and lock with key (included).

To convert the metal locking tablet holder to a NON-LOCKING option:



Remove nut from the center of the front of the holder. Pull screw out from the back of the holder.



Re-insert screw to the front of the holder. Attach knob to screw on the back of the holder.

! Safety Precautions

Do not install Arkon products over an air bag cover or within the air bag deployment zone. Arkon Resources, Inc. assumes no responsibility of liability for injury or death as a result of car crashes and/or air bag deployment.

Arkon Resources, Inc. is not responsible for any damages caused to your vehicle, device or yourself due to the installation or use of this mount.

ARKON MOUNTS

Consumer Hotline:
 USA (800) 841-0884
 INT'L (626) 254-9005
 Monday - Friday 9 am - 5 pm, PST

www.arkon.com
 Arcadia, CA 91006 USA
 Designed in USA | Made in Taiwan and USA
 © Copyright 2020 Arkon Resources, Inc.