

Package Contents:

- HM009B – Taxi Headrest Mount
- TAB004KL-B – Locking Metal Tablet Holder with Key Lock and Key
- SPRMSMET-B – Small Metal Robust Mount Shaft Arm
- APMAMPS25MM – Metal 25mm Ball to 4-Hole AMPS Adapter
- SP-RMSH-KIT – Robust Mount Shaft Arm Security Hardware
- SP-12M-4M7 – Screw Pack

Optional (for converting locking tablet holder to NON-LOCKING option):

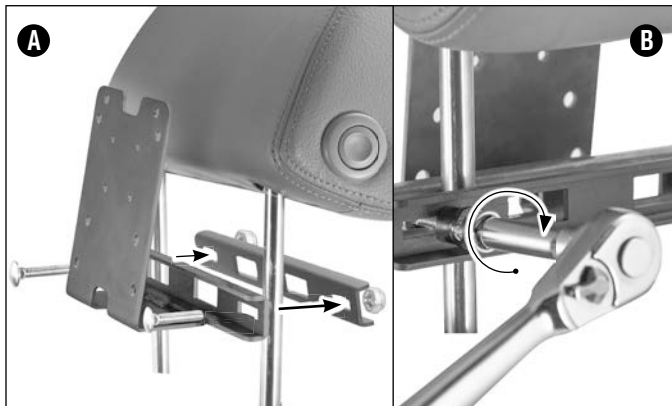
- (1) SPRMLGKNOBNL – Large Robust Shaft Knob (see page 2)

Headrest Compatibility: Compatible with headrests having a 2-post configuration.

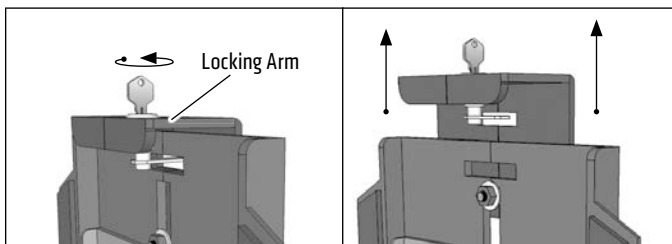
Device Compatibility: Fits 7"-10" screen size tablets

Tools Needed: 10mm socket wrench, Phillips screwdriver

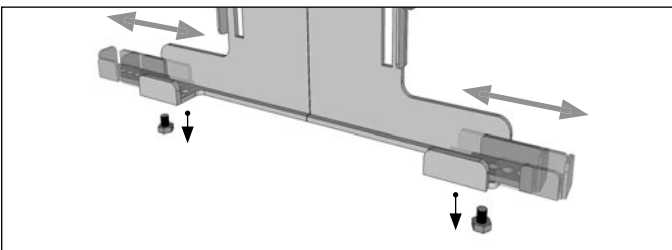
- 1 **A** Separate the headrest mount bracket, and place on 2-post headrest. **B** Use a 10mm socket wrench to tighten the bolts.



- 3 To size the tablet holder to your tablet, begin by unlocking the top of the tablet holder with the key and push up on the locking arm.



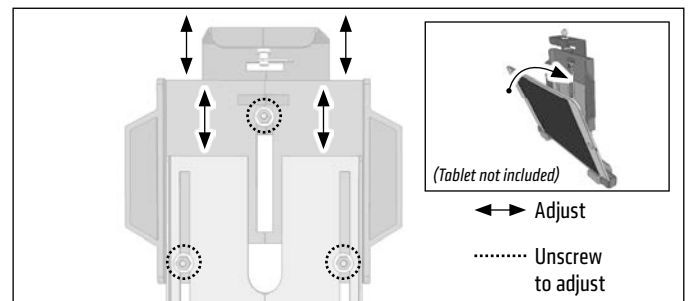
- 5 Unscrew the screws at the bottom sides of the holder to adjust the tablet holder's width to the tablet. Tighten to secure.



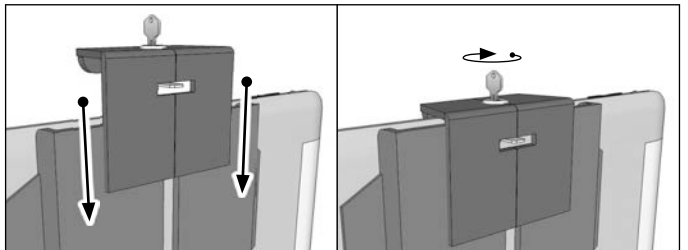
- 2 Attach the tablet holder and metal shaft to the headrest mount with the provided screws.



- 4 Unscrew the three screws/washers at the back/center of the holder to adjust the tablet holder's height to the tablet (not included). Retighten the screws/washers to secure.



- 6 To lock down tablet, close down on the locking arm on the top of the tablet and lock with key (included).



⚠ Safety Precautions

Arkon is not responsible for any damages caused to your vehicle, your device, your passengers, or yourself due to the installation or use of this mount.

ARKON MOUNTS

Consumer Hotline:

USA (800) 841-0884

INT'L (626) 254-9005

Monday - Friday 9am - 5pm, PST

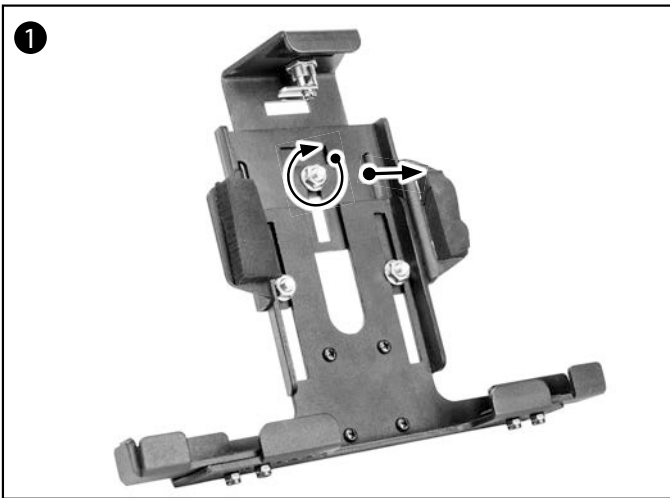
www.arkon.com

Arcadia, CA 91006 USA

Designed in USA | Made in USA

© Copyright 2020 Arkon Resources, Inc.

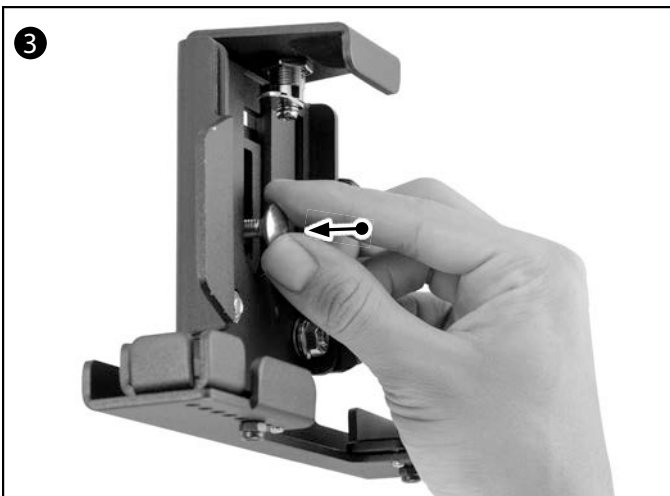
To convert the metal locking tablet holder to a NON-LOCKING option:



Remove nut from the center of the front of the holder.



Pull screw out from the back of the holder.



Re-insert screw to the front of the holder.



Attach knob to screw on the back of the holder.



Safety Precautions

Arkon is not responsible for any damages caused to your vehicle, your device, your passengers, or yourself due to the installation or use of this mount.

ARKON MOUNTS

Consumer Hotline:

USA (800) 841-0884

INT'L (626) 254-9005

Monday - Friday 9am - 5pm, PST

www.arkon.com

Arcadia, CA 91006 USA

Designed in USA | Made in USA

© Copyright 2020 Arkon Resources, Inc.